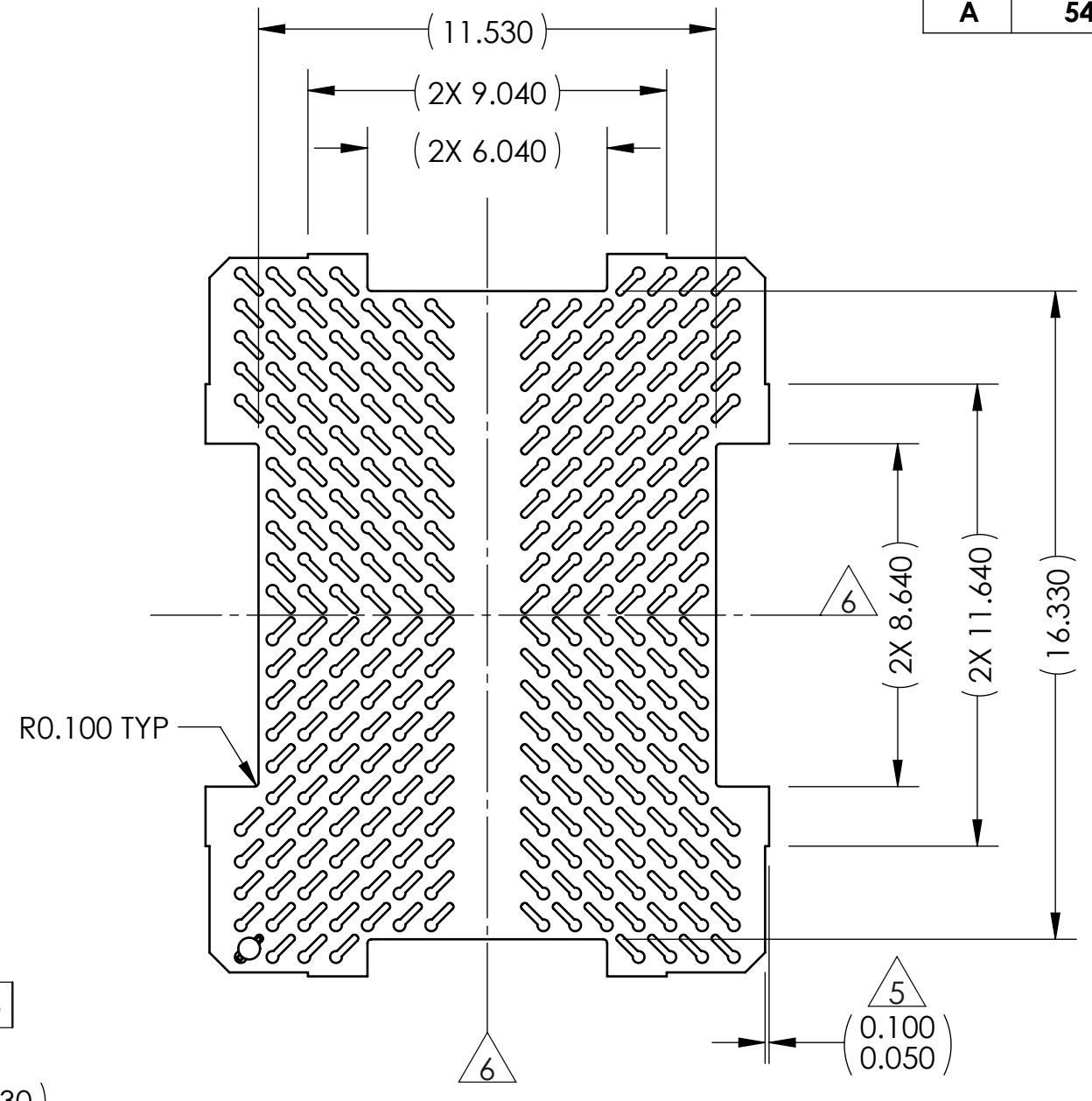
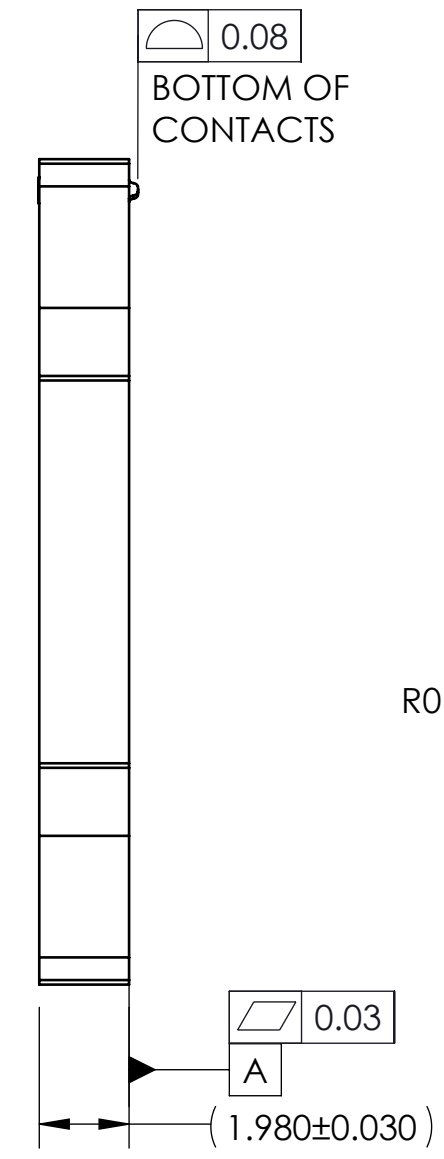
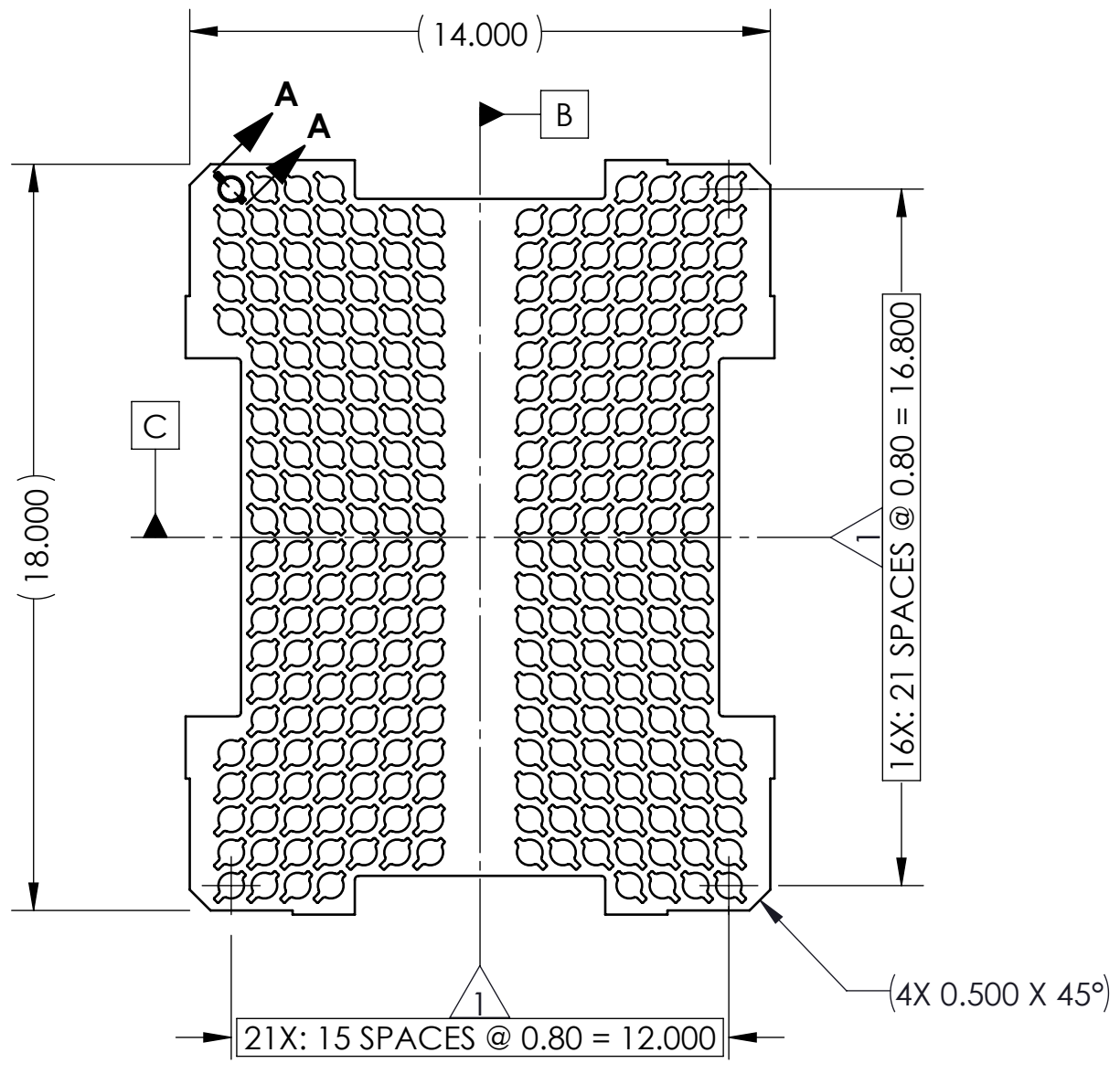
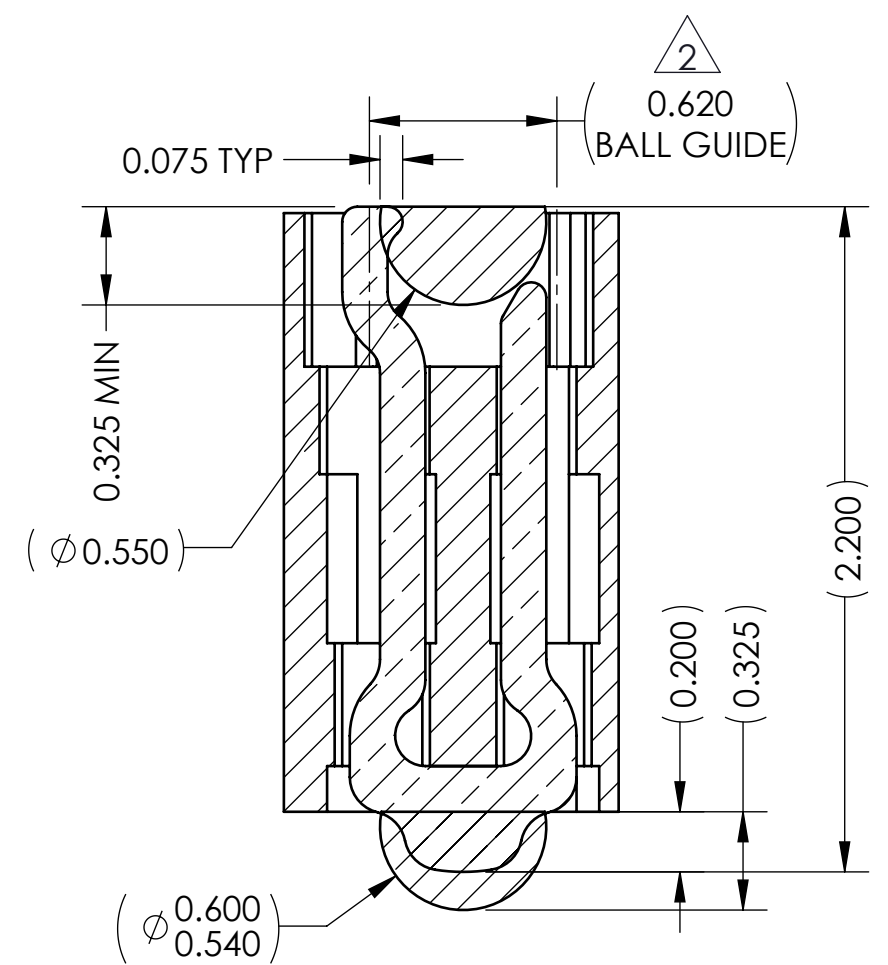


REV	ECO	BY	DESCRIPTION	APV	DATE
A	5452	DJP	Initial Design	AJN	5/8/20



TO BOTTOM ON SOCKETS WITH SOLDER BALLS



SECTION A-A
SCALE 40:1

Notes:

- 1 LOCATES CENTER OF CONTACT SLOTS.
- 2 DATUM B AND C DETERMINED BY Ø0.620 OPENING IN CORNER SLOTS.
- 3 UNLESS OTHERWISE NOTED, ALL FEATURES LOCATED $\oplus 0.10$ A B C.
- 4 INCLUDES TOOLING PROTRUSIONS.
- 5 TOOLING MARKS PERMITTED. MAXIMUM 0.10 PROTRUSION SHOWN.
- 6 CENTERLINE OF SOCKET.
- 7 CONTACT NUMBER: 104468-0017.
- 8 MINIMUM DEVICE SOLDER BALL EXPOSURE FOR CONTACT IS 0.325mm.
- 9 HOUSING NUMBER: 107208-0013
- 10 SEE CUSTOMER'S P.O.D. FOR ANY MISSING FORM TOLERANCE AND/OR DIMENSIONS.
- 11 SOCKET SHOWN FOR DEVICES THAT ARE WITHIN SPECIFIED SPECIFICATIONS.

PART NUMBER	DESCRIPTION
107206-0016	SCKT, 272G80 14.0X18.0-0.80, EUT (EUTECTIC SOLDER BALL)
107206-0052	SCKT, 272G80 14.0X18.0-0.80, SAC305 (SAC305 SOLDER BALL)
107206-0013	SCKT, 272G80 14.0X18.0-0.80, W/O (WITHOUT SOLDER BALL)
103864-0116	PRESS, DEVICE INSERTION 14.00X18.00 (SOLD SEPARATELY)
104553-0354	STENCIL, FLEX, 272G80 14.0X18.0-0.80 (SOLD SEPARATELY)
105900-0004	EXTRACTION TOOL, 4 X 53 (SOLD SEPARATELY)

UNLESS OTHERWISE SPECIFIED - DIMENSIONS ARE IN MILLIMETERS - DIMS APPLY AFTER PLATING
TOLERANCES UNLESS OTHERWISE NOTED:
ANGLES ±1° DECIMALS
X.X ±0.25
X.XX ±0.10
X.XXX ±0.050

THE INFORMATION CONTAINED IN THIS DRAWING IS THE SOLE PROPERTY OF IRONWOOD ELECTRONICS, INC. ANY REPRODUCTION IN PART OR WHOLE WITHOUT THE WRITTEN PERMISSION OF IRONWOOD ELECTRONICS, INC. IS PROHIBITED.

CAD GENERATED DRAWING
DO NOT MANUALLY UPDATE

DRAWING APPROVALS

NAME	DATE
DJP	5/8/20
AJN	5/8/20

LEGEND:
 (X) NOTE CALLOUT
 (A) REVISION CHANGE
 (X) ITEM NUMBER

IRONWOOD ELECTRONICS, INC
1335 EAGANDALE CT.
EAGAN, MN 55121. 952-229-8200

SCKT, 272G80 14.0X18.0-0.80, SAC305

THIRD ANGLE PROJECTION

SCALE	CAD FORMAT	DRAWING NO.	REV.
C	SOLIDWORKS	107206-0052	A

SEE B.O.M.

SHEET 1 of 2