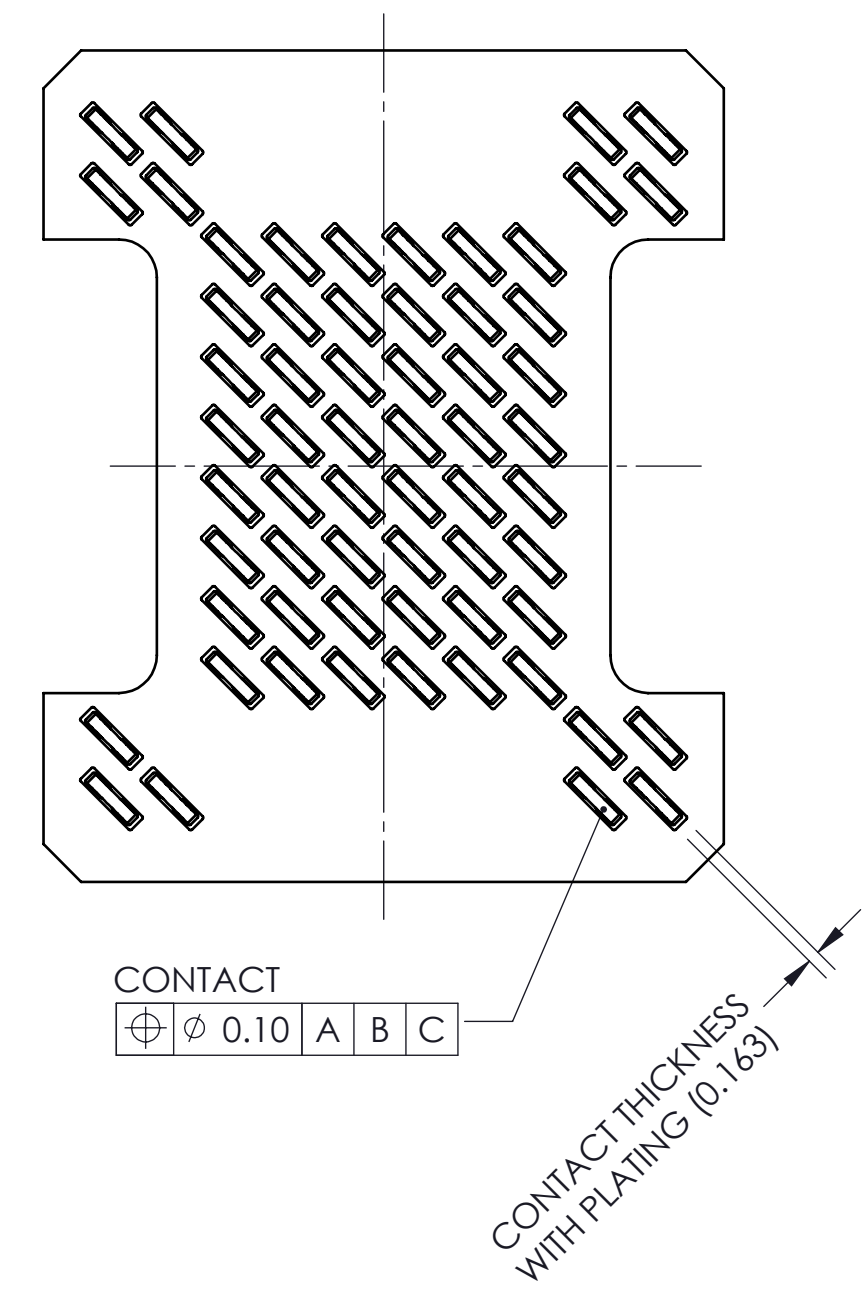
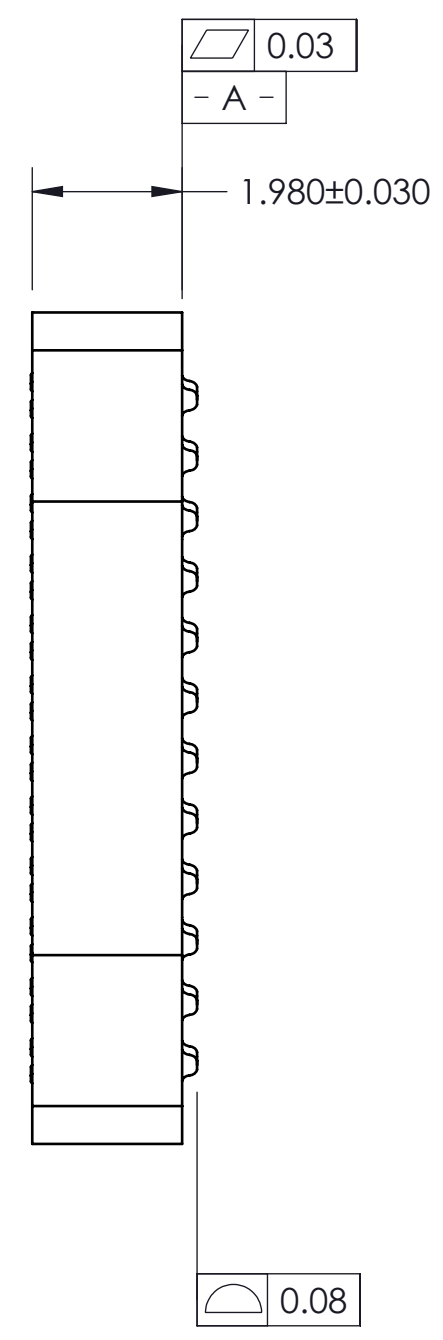
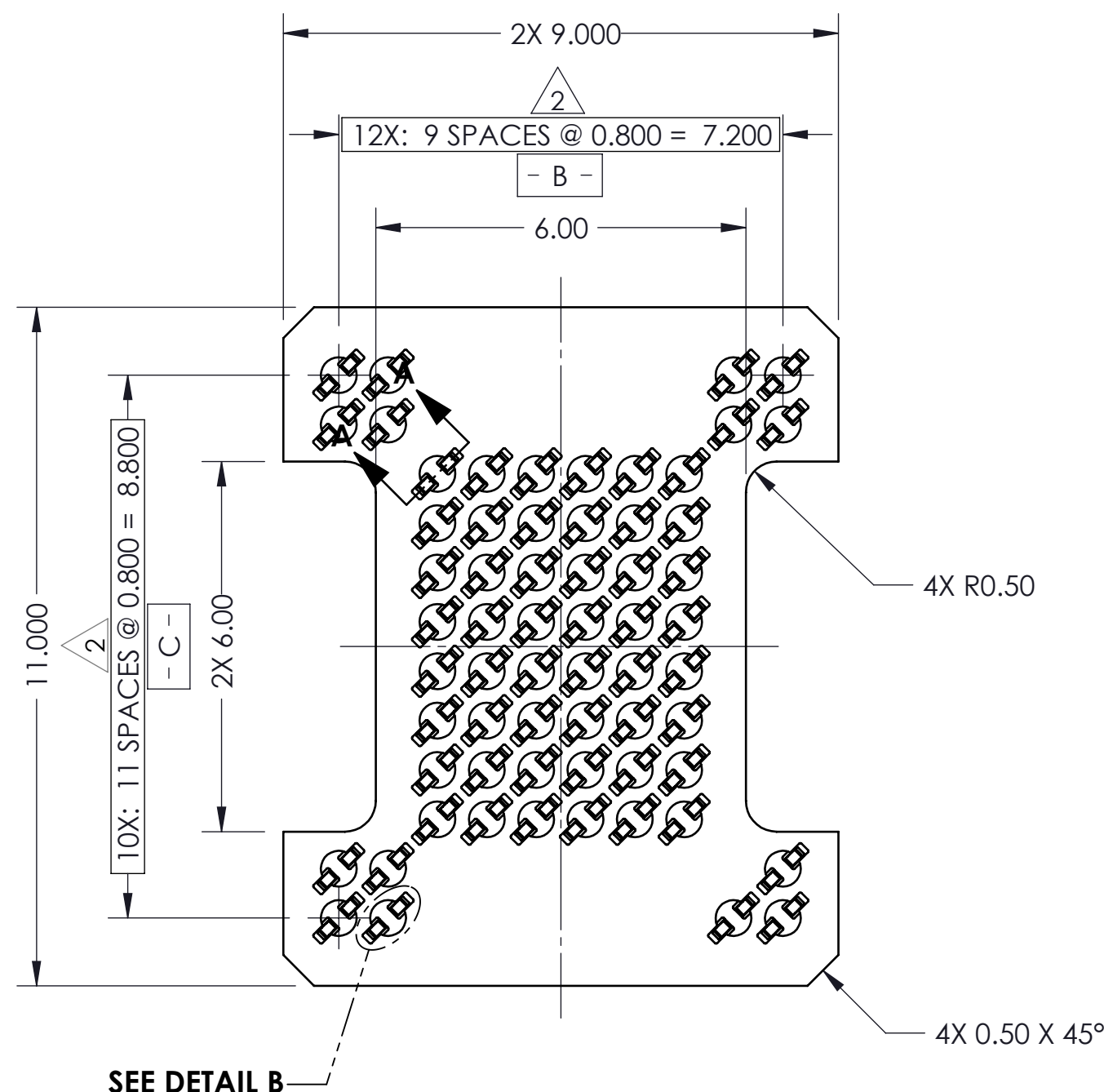
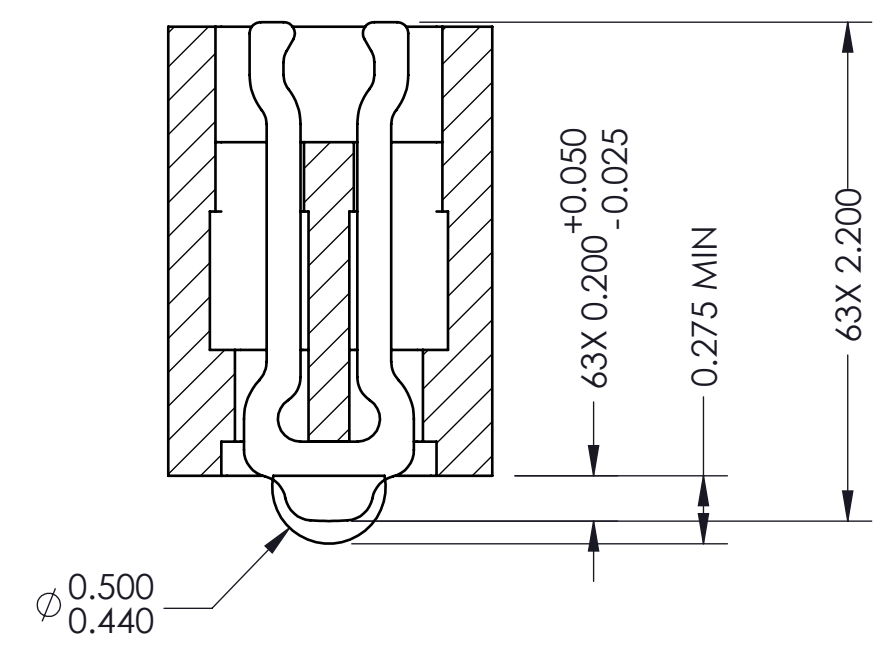
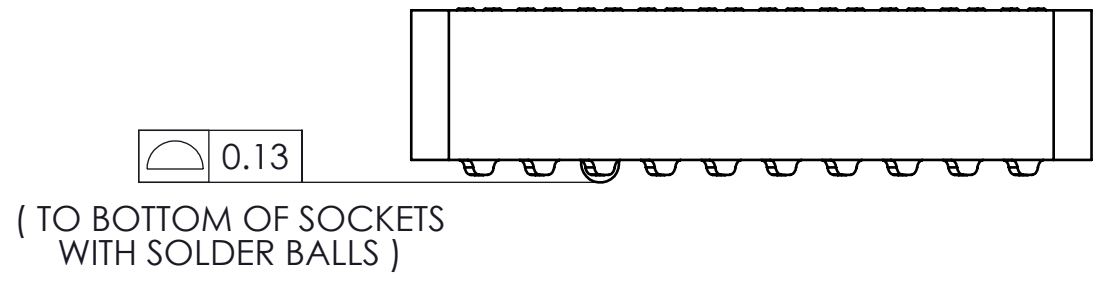


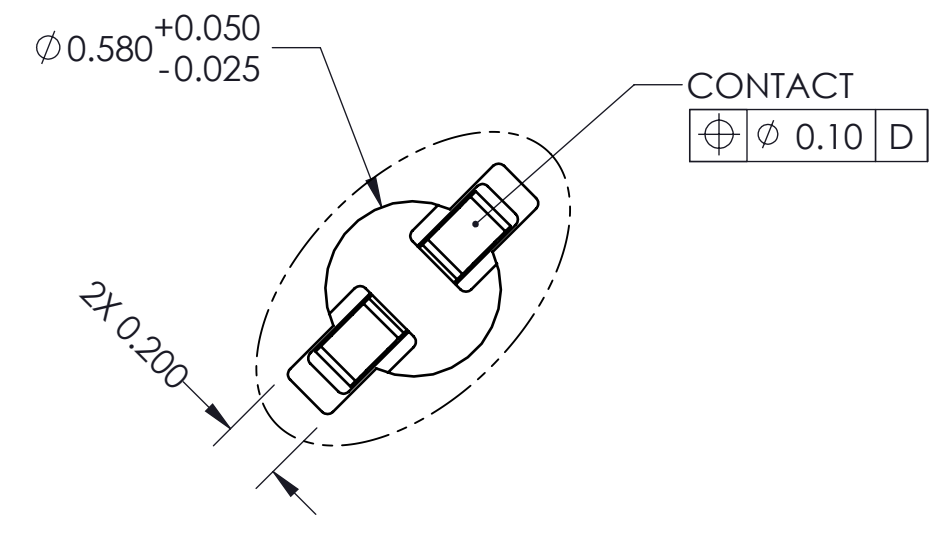
REV	ECO	DESCRIPTION	APV	DATE
A	31781	INITIAL DESIGN	NSJ	05/20/16



PARTS LIST	
Part Number	Description
105526-0090	SCKT, 63GRY9 X 11-0.80, EUT
105528-0082	CS, 63GRY9 X 11-0.80
103864-0048	PRESS, DEV INS, 9 X 11 (SOLD SEP.)
104553-0083	STEN,FLEX, 63GRY9 X 11-0.80 (SOLD SEP.)



SECTION A-A
SCALE 3:1
VIEW ROTATED CW 45°



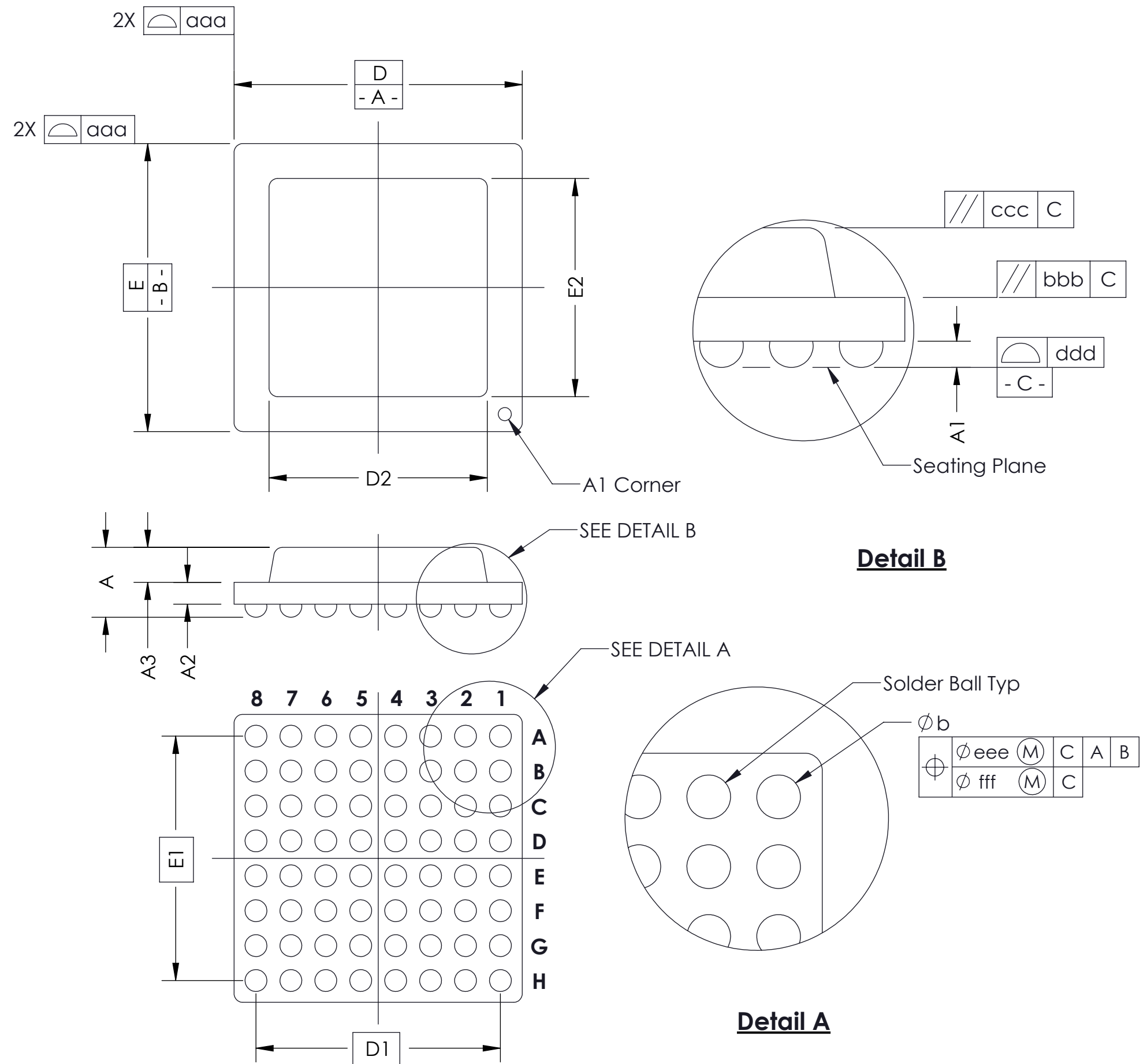
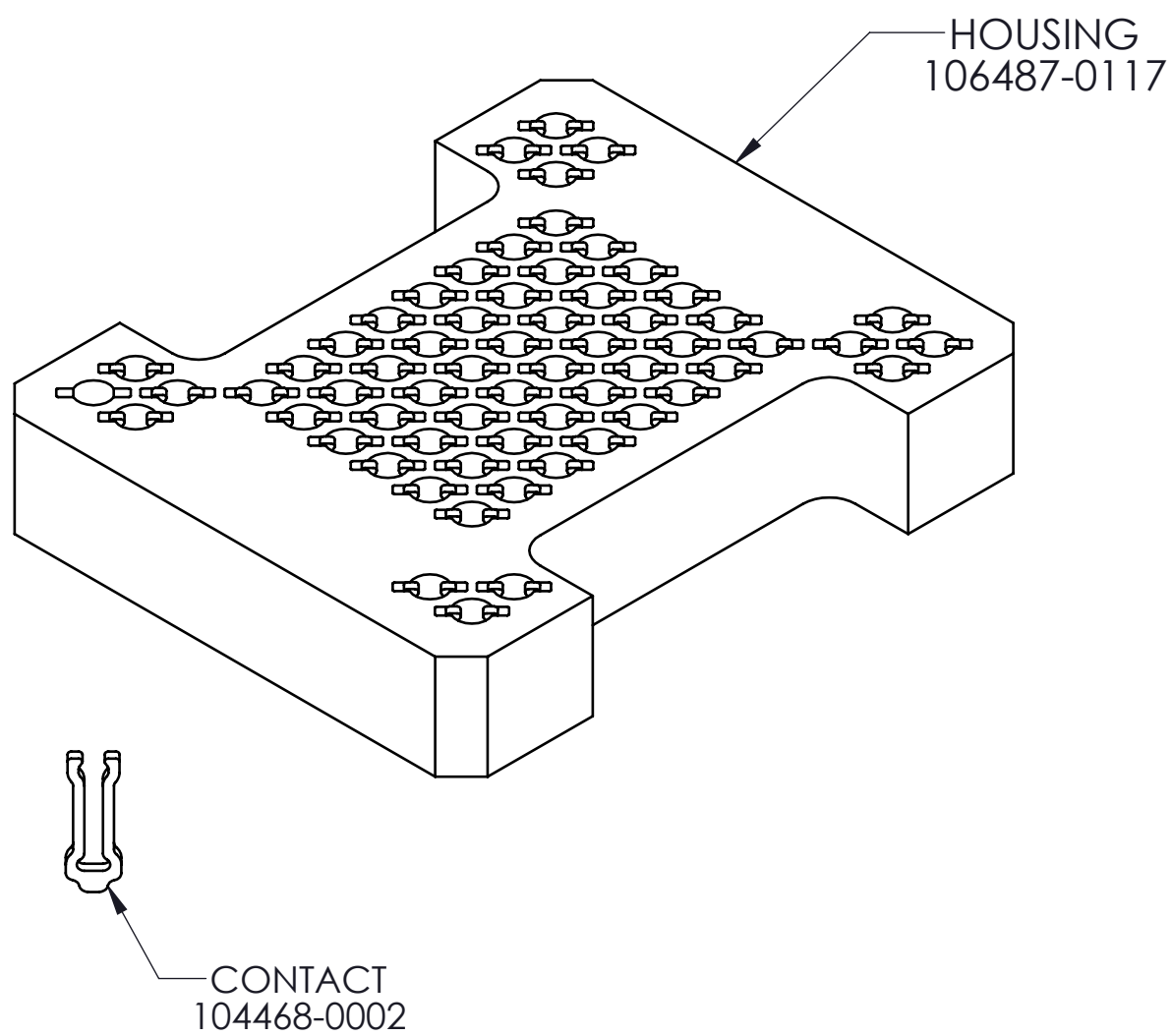
DETAIL B
SCALE 4:1

- NOTES:
- FOOTPRINT PART NUMBER IS 104311-0303.
 - LOCATES CENTER OF CONTACT SLOTS.
 - PRESS SIZE: 9 X 11
 - DATUM -B- AND -C- DETERMINED BY $\phi 0.580$ OPENING IN CORNER SLOTS.
 - UNLESS OTHERWISE NOTED, ALL FEATURES LOCATED $\phi 0.10$ A B C.
 - ALL SOLDER BALLS ARE NOT SHOWN TO MINIMIZE FILE SIZE.

<p>HSIO technologies PROPRIETARY AND CONFIDENTIAL</p> <p>THE INFORMATION CONTAINED IN THIS DRAWING IS THE SOLE PROPERTY OF HSIO TECHNOLOGIES, LLC. ANY REPRODUCTION IN PART OR AS A WHOLE WITHOUT THE WRITTEN PERMISSION OF HSIO TECHNOLOGIES, LLC IS PROHIBITED.</p>	UNLESS OTHERWISE SPECIFIED:	NAME	DATE	HSIO TECHNOLOGIES, LLC. 13400 68th AVENUE NORTH MAPLE GROVE, MINNESOTA 55311 763-447-6260	
	DIMENSIONS ARE IN MILLIMETERS	DRAWN	PAR		05/20/16
	TOLERANCES:	CHECKED	NSJ	05/20/16	TITLE: SCKT, 63GRY 9 X 11-0.80, EUT
	ANGULAR: $\pm 1^\circ$	LEGEND:		DWG. NO.	
X.X ± 0.25	\triangle NOTE CALLOUT \square REVISION CHANGE \circ ITEM NUMBER	SEE BOM	105526-0090	A	
X.XX ± 0.10	INTERPRET GEOMETRIC TOLERANCING PER:	FINISH	SCALE: 10:1	SIZE: C	SHEET 1 OF 2
X.XXX ± 0.050	DO NOT SCALE DRAWING				

SOCKET FOR DEVICES THAT ARE WITHIN THESE SPECIFICATIONS					
Lead Count	N	63	Package Size	D	9.00
Columns	ND	10		E	11.00
Rows	NE	12	Ball Spacing	D1	7.20
Pitch	e	0.80		E1	8.80
Ball Size	b	0.45±0.05	Encapsulant/ Top Size	D2	N/A
Total Thickness	A	N/A		E2	N/A
Ball Height	A1	0.275 Min	Pattern Style	IRREGULAR*	
Substrate Thickness	A2	N/A	Perimeter Rows	N/A	
Top Thickness	A3	N/A	Center Array	N/A	
Form Tolerances					
Edge	aaa	0.20	Bottom	ddd	0.15
Substrate	bbb	0.20	Position	eee	0.20
top	ccc	0.20	Position	fff	0.08

All dimensions are in millimeters.
*See footprint specification for pattern details.



Generic Representation with Full Grid Array

<p>HSIO technologies PROPRIETARY AND CONFIDENTIAL</p> <p>THE INFORMATION CONTAINED IN THIS DRAWING IS THE SOLE PROPERTY OF HSIO TECHNOLOGIES, LLC. ANY REPRODUCTION IN PART OR AS A WHOLE WITHOUT THE WRITTEN PERMISSION OF HSIO TECHNOLOGIES, LLC IS PROHIBITED.</p>	UNLESS OTHERWISE SPECIFIED:	NAME	DATE	HSIO TECHNOLOGIES, LLC. 13400 68th AVENUE NORTH MAPLE GROVE, MINNESOTA 55311 763-447-6260	
	DIMENSIONS ARE IN MILLIMETERS	DRAWN	PAR		05/20/16
	TOLERANCES:	CHECKED	NSJ	05/20/16	TITLE:
	ANGULAR: $\pm 1^\circ$ X.X ± 0.25 X.XX ± 0.10 X.XXX ± 0.050	LEGEND:			SCKT, 63GRY 9 X 11-0.80, EUT
INTERPRET GEOMETRIC TOLERANCING PER:	\triangle NOTE CALLOUT			DWG. NO.	
MATERIAL	\square REVISION CHANGE			105526-0090	
FINISH	\circ ITEM NUMBER			REV	
DO NOT SCALE DRAWING				A	
		SCALE: 10:1	SIZE: C	SHEET 2 OF 2	