

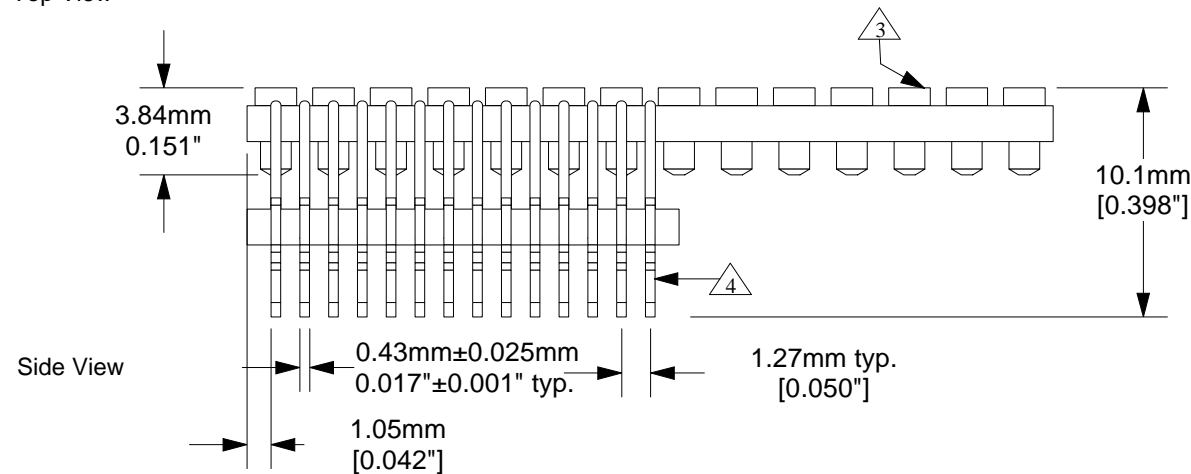
△1 Substrate: 1.59mm ±0.18mm [0.0625" ±0.007"] FR4/G10 or equivalent high temp material. 17µm [1/2 oz.] Cu clad. SnPb plating.

△2 Pins: material- Brass Alloy 360 1/2 hard; finish- 0.25µm [10µ"] Au over 1.27µm [50µ"] Ni (min.).

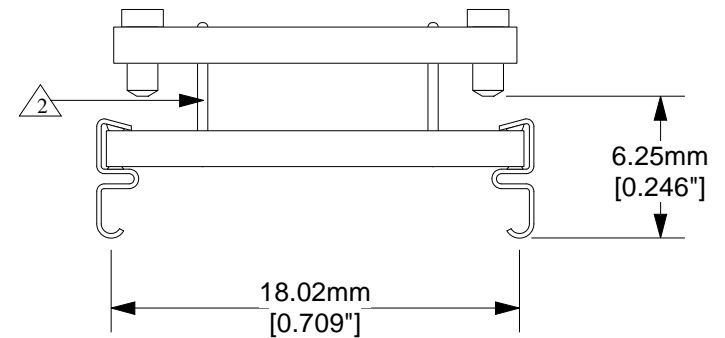
△3 Pins: shell material- Brass Alloy 360 1/2 hard; finish- 0.25µm [10µ"] Au over 1.27µm [50µ"] Ni (min.). Contact material- BeCu; finish 0.25µm [10µ"] Au over 2.54µm [100µ"] Ni (min.).

△4 Leads: material- BeCu Alloy 194; plating- 60/40 SnPb 3.80-10.16µm [150-400µ"].

Top View




Side View



End View

Description: PACKAGE CONVERTOR

28 position Dip female sockets to male flat pack surface mount pins. Pin assignment: 1:1.

	PC-DIP/FP28A-01 Drawing	Status: Released	Scale: 3:1	Rev: A
	© 2001 IRONWOOD ELECTRONICS, INC. PO BOX 21151 ST. PAUL, MN 55121 Tele: (651) 452-8100 www.ironwoodelectronics.com	Drawing by: E Smolentseva		Date: 01/15/01
		File: PC-DIP/FP28A-01 Dwg.mcd	Modified:	

Tolerances: diameters ±0.03mm [±0.001"], PCB perimeters ±0.13mm [±0.005"], PCB thicknesses ±0.18mm [±0.007"], pitches (from true position) ±0.08mm [±0.003"], all other tolerances ±0.13mm [±0.005"] unless stated otherwise. Materials and specifications are subject to change without notice.