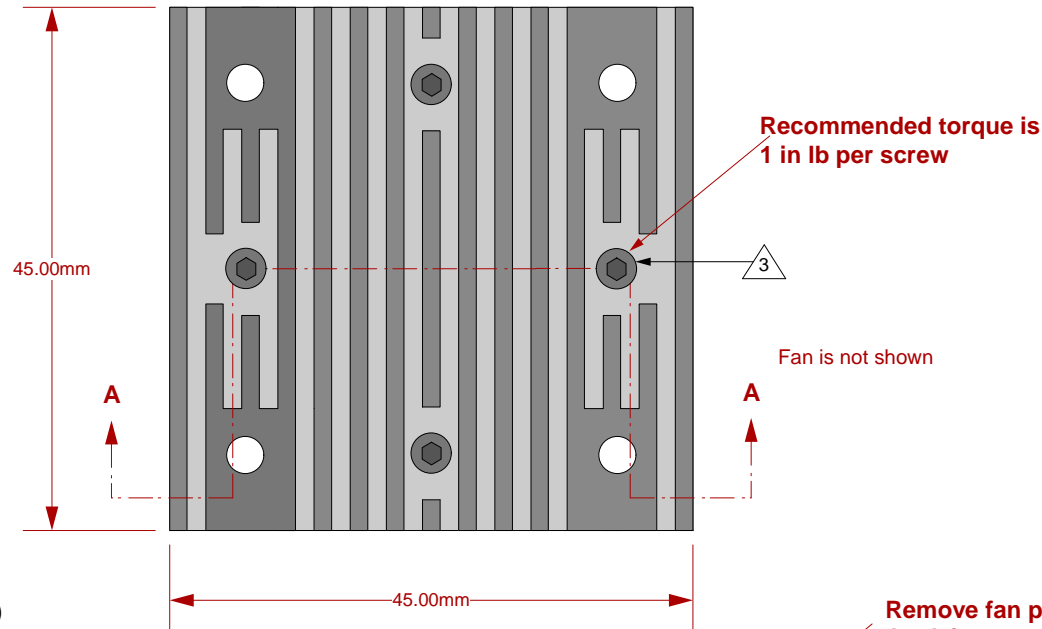
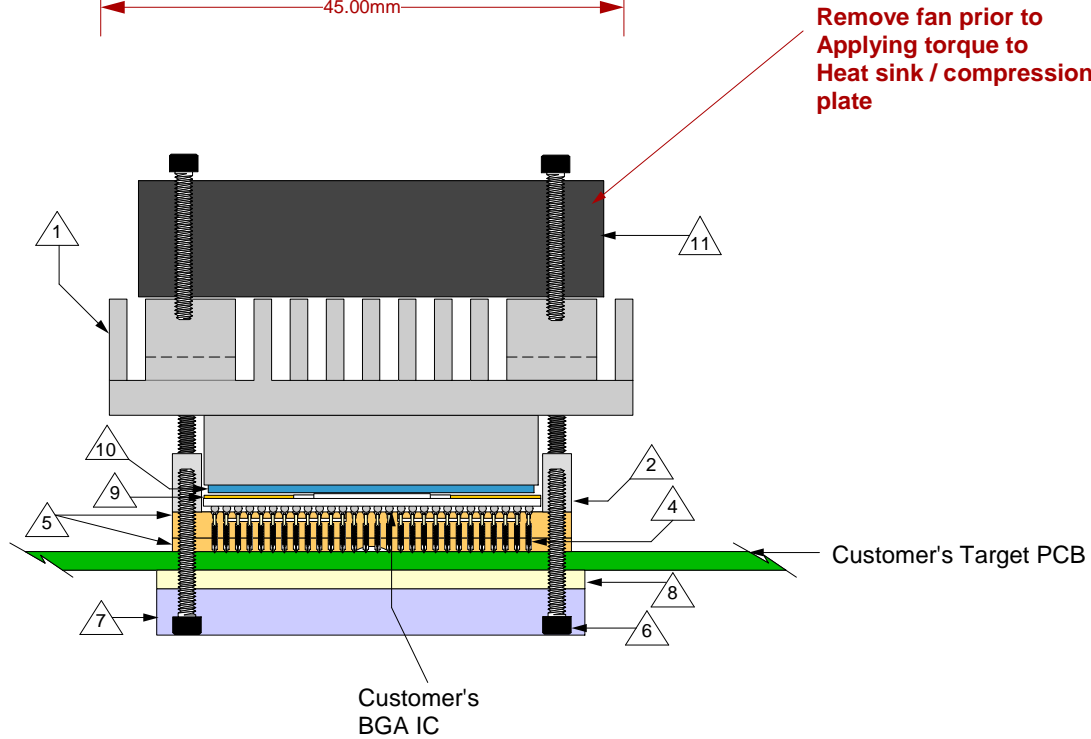


SBT BGA Socket - Direct mount, solderless



Top View:
(fan removed)



Side View
(Section AA)

Features

- Directly mounts to target PCB (needs tooling holes) with hardware.
- High speed, reliable SBT Pin connection
- Minimum real estate required
- Compression plate distributes forces evenly
- Easily removable swivel socket lid

- 1 Socket Lid/ Heat sink: Ni plated Aluminum.
- 2 Socket base: Ni plated Aluminum. Thickness = 5mm.
- 3 Compression screw: Socket head cap, alloy steel with black oxide finish, 0-80 fine thread , 7.94mm long.
- 4 SBT pin: Stamped contact BeCu, Au plated
Spring: SS, Au plated
- 5 Pin Guide: Ceramic Filled Peek
- 6 Socket base screw: Socket head cap, alloy steel with black oxide finish, 0-80 fine thread , 15.875mm long.
- 7 Backing Plate: Ni plated Aluminum. Thickness = 4mm.
- 8 Insulation Plate: FR4, Thickness = 1.59mm.
- 9 IC Frame: Ultem
- 10 Gap Pad
- 11 Fan: 40x40x10mm

SBT-BGA-6019 Drawing

© 2010 IRONWOOD ELECTRONICS, INC.
Tele: (952) 229-8200
www.ironwoodelectronics.com

Status: Released

Scale: -

Rev: A

Drawing: E Smolentseva

Date: 09/08/2012

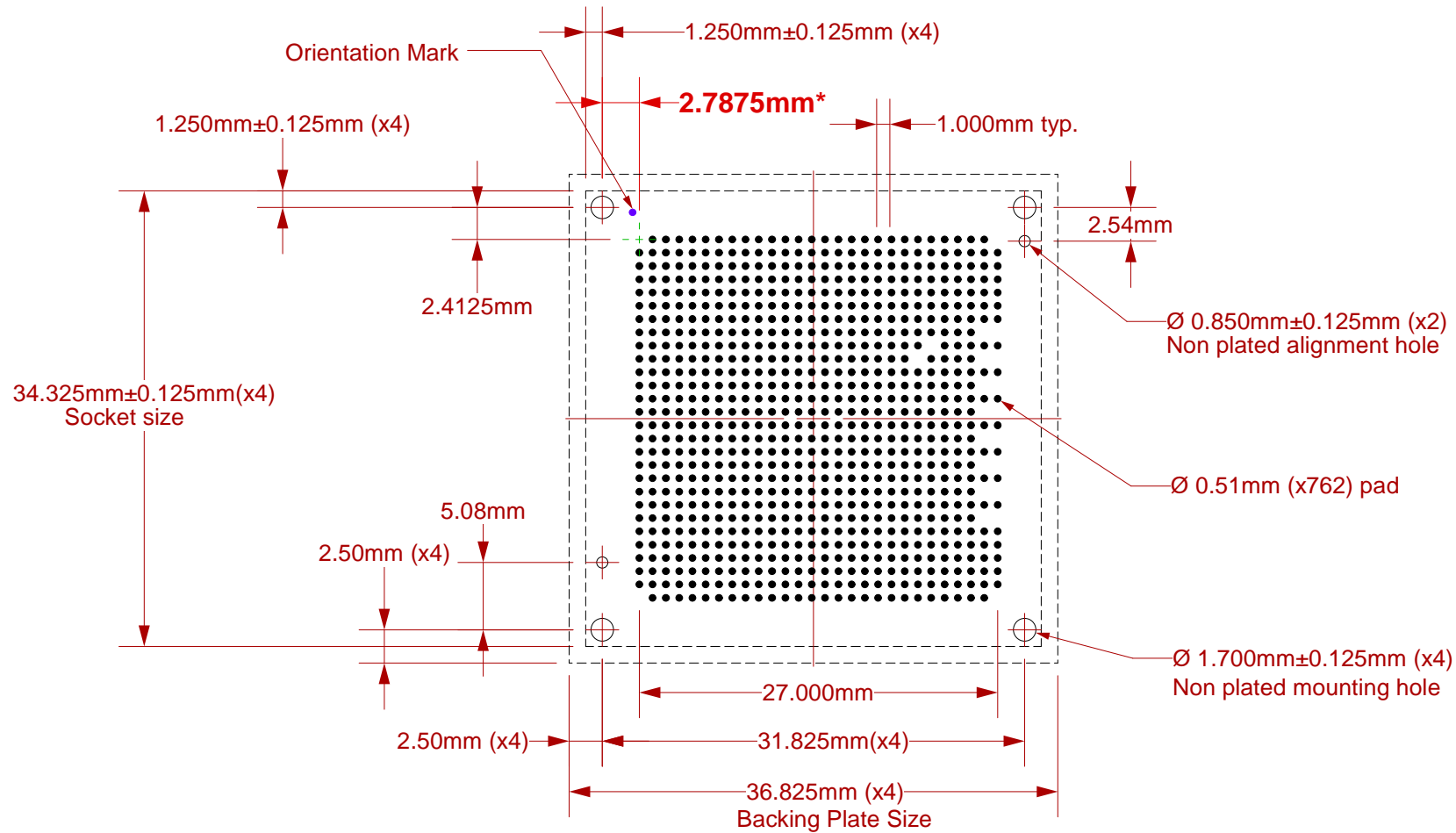
File: SBT-BGA-6019 Dwg.mcd

Modified:

All tolerances: ± 0.125 mm (unless stated otherwise). Materials and specifications are subject to change without notice.

Recommended PCB Layout
Top View

***Note: BGA pattern is not symmetrical with respect to the mounting holes. It is offset 0.375mm to the right of the tooling holes.**



Target PCB Recommendations

Total thickness: 3.175mm min.

Plating: Gold or Solder finish

PCB Pad height: Same or higher than solder mask

NOTE: Steel backing plate may be required based on end user's application

Recommended PCB Layout Tolerances: ±0.025mm [±0.001"] unless stated otherwise.

SBT-BGA-6019 Drawing

Status: Released

Scale: -

Rev: A



© 2010 IRONWOOD ELECTRONICS, INC.
Tele: (952) 229-8200
www.ironwoodelectronics.com

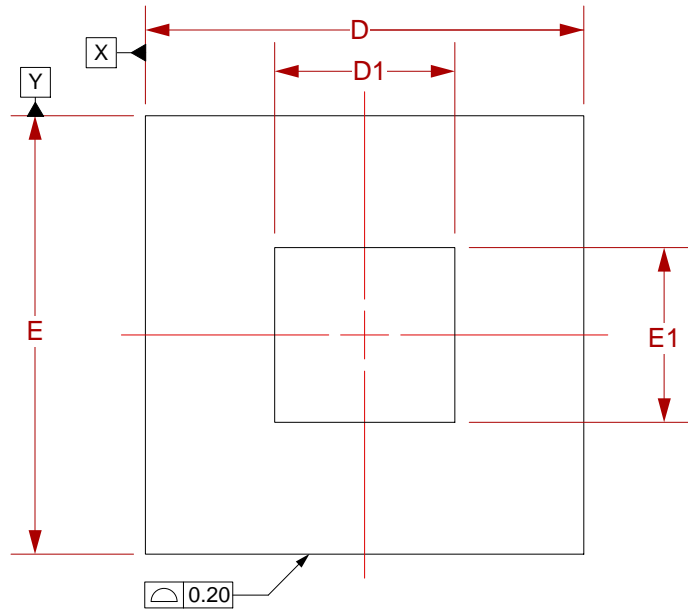
Drawing: E Smolentseva

Date: 09/08/2012

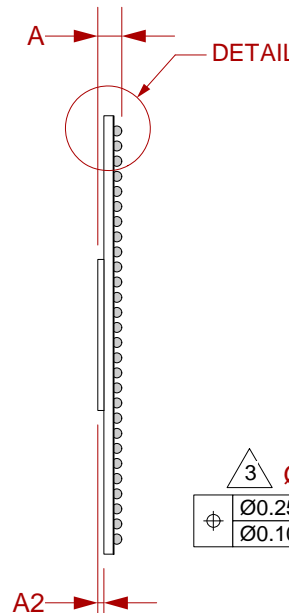
File: SBT-BGA-6019 Dwg.mcd

Modified:

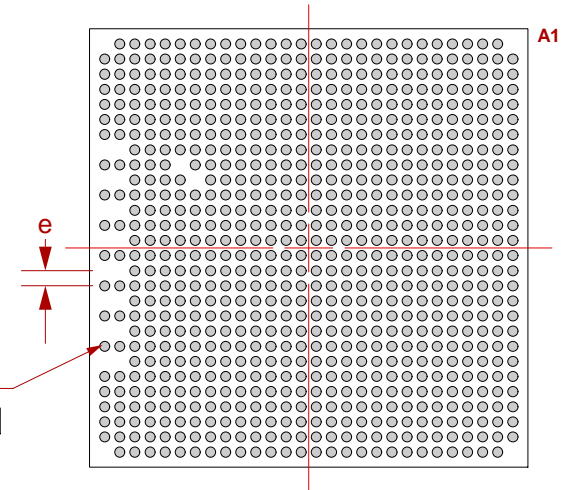
Compatible BGA Spec



TOP VIEW



SIDE VIEW



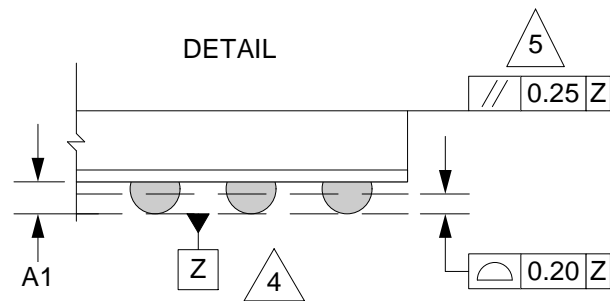
BOTTOM VIEW

Ironwood Package Code: BGA762A

1. Dimensions are in millimeters.
2. Interpret dimensions and tolerances per ASME Y14.5M-1994.
3. Dimension b is measured at the maximum solder ball diameter, parallel to datum plane Z.
4. Datum Z (seating plane) is defined by the spherical crowns of the solder balls.
5. Parallelism measurement shall exclude any effect of mark on top surface of package.

DIM	MIN	MAX
A	1.41	1.69
A1	0.40	0.6
A2	0.36	0.42
b	0.5	0.7
D1	12.09	
E1	11.88	
D	29.0 BSC	
E	29.0 BSC	
e	1.00 BSC	

Array 28 x 28



SBT-BGA-6019 Drawing

Status: Released

Scale: -

Rev: A



© 2010 IRONWOOD ELECTRONICS, INC.
 Tele: (952) 229-8200
 www.ironwoodelectronics.com

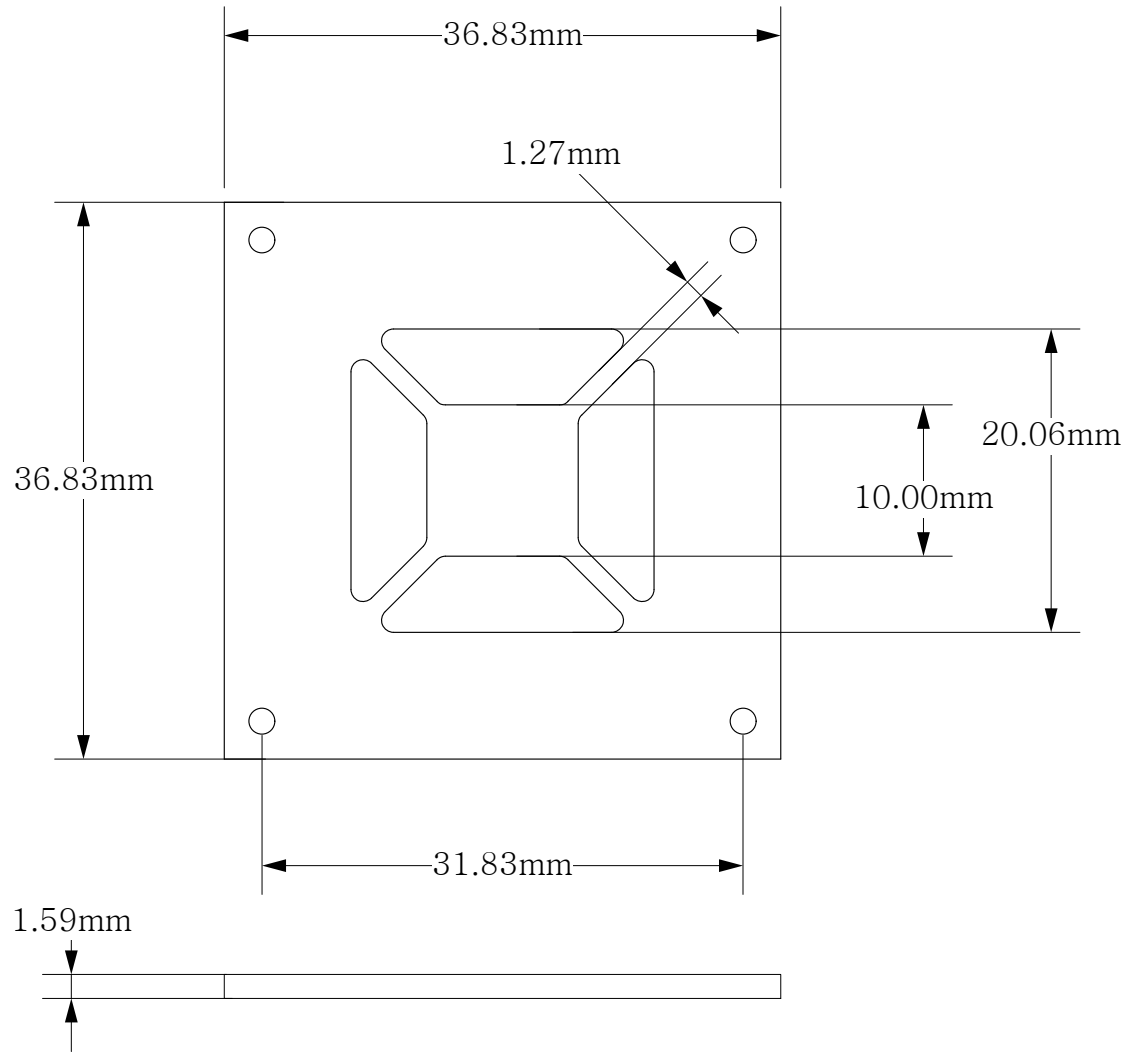
Drawing: E Smolentseva

Date: 09/08/2012

File: SBT-BGA-6019 Dwg.mcd

Modified:

Insulation Plate



SBT-BGA-6019 Drawing

Status: Released

Scale: -

Rev: A



© 2010 IRONWOOD ELECTRONICS, INC.
Tele: (952) 229-8200
www.ironwoodelectronics.com

Drawing: E Smolentseva

Date: 09/08/2012

File: SBT-BGA-6019 Dwg.mcd

Modified: