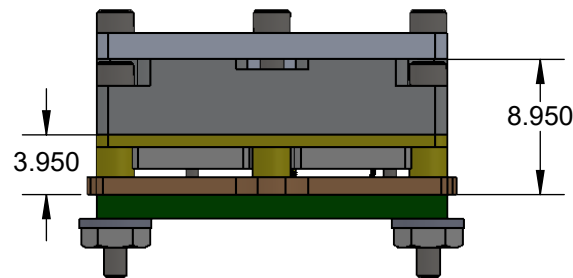
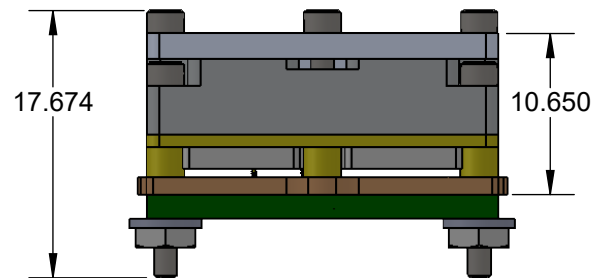
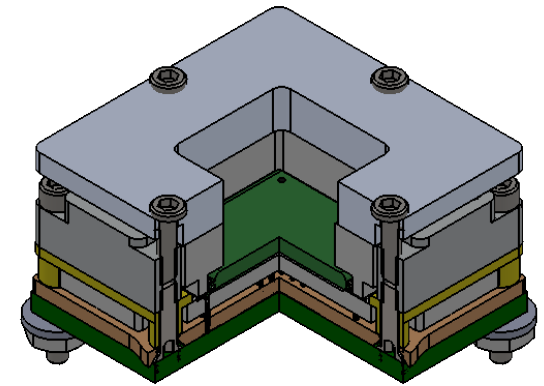
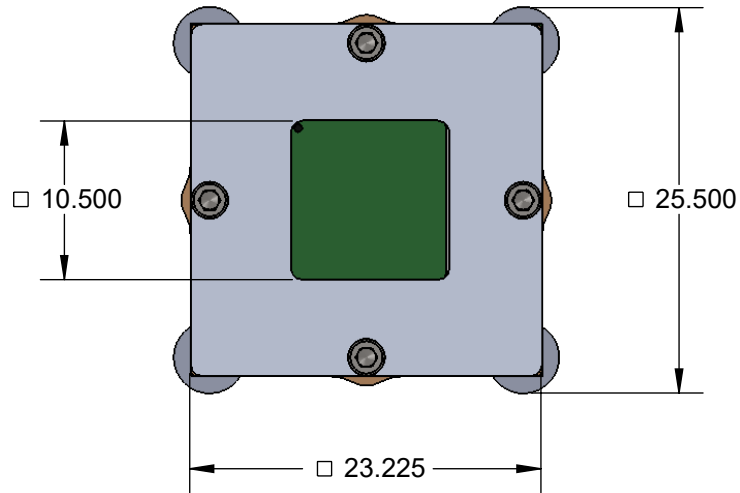


SBT-QFE DIRECT MOUNT, SOLDERLESS SOCKET FOR BURN-IN AND TEST APPLICATIONS

FEATURES:


- Wide temperature range (-55C to +180C)
- High current capability (up to 1.8A)
- Excellent signal integrity at high frequencies
- Low and stable contact resistance for reliable production yield
- Highly compliant to accommodate wide co-planarity variations
- Automated probe manufacturing enables low cost and short lead time
- Electrical Characteristics per contact: Resistance: <50 mOhms, Self inductance: 0.98 nH



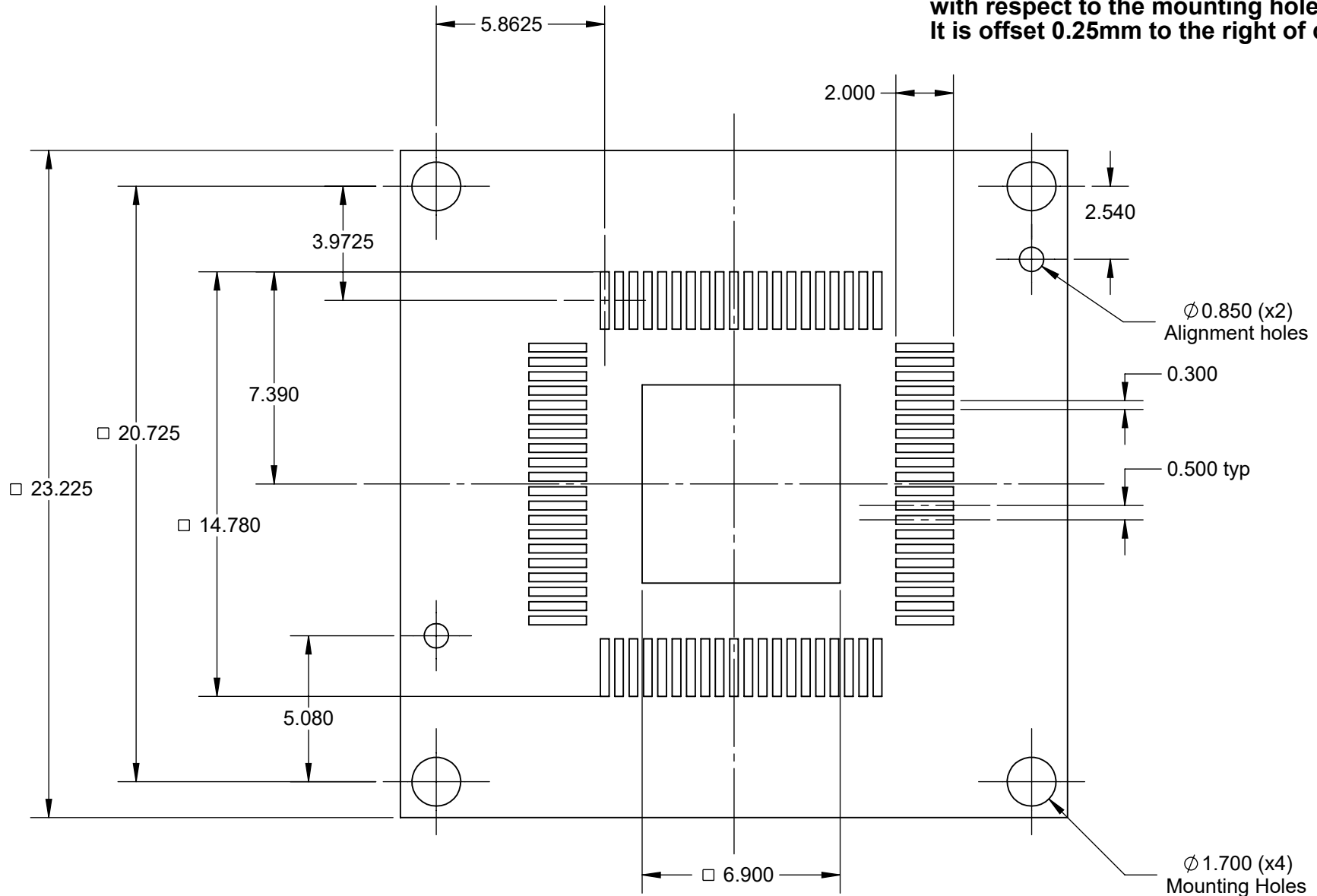
Description: SBT-QFE Socket w/ 180C Pin

Primary dimension units are millimeters, Secondary dimension units are [inches], Weight is in grams.

Tolerances: Hole diameters $\pm 0.03\text{mm}$ [$\pm 0.001"$], Pitches (from true position) $\pm 0.025\text{mm}$ [$\pm 0.001"$], substrate thickness tolerance $\pm 10\%$, all other tolerances $\pm 0.13\text{mm}$ [$\pm 0.005"$] unless stated otherwise. Materials and specifications are subject to change without notice.

 SBT-QFE-3006 Drawing ©2015 Ironwood Electronics, Inc. Tele: (800) 404-0204 www.ironwoodelectronics.com	Material: N/A Finish: N/A Weight: 8.93	STATUS: Released ENG: M.A. Fedde FILE: SBT-QFE-3006 Dwg	SHEET: 1 OF 4 DRAWN BY: M. Raske DATE: 07/22/2015	REV. A SCALE: 2:1


***Note: BGA pattern is not symmetrical with respect to the mounting holes. It is offset 0.25mm to the right of center.**



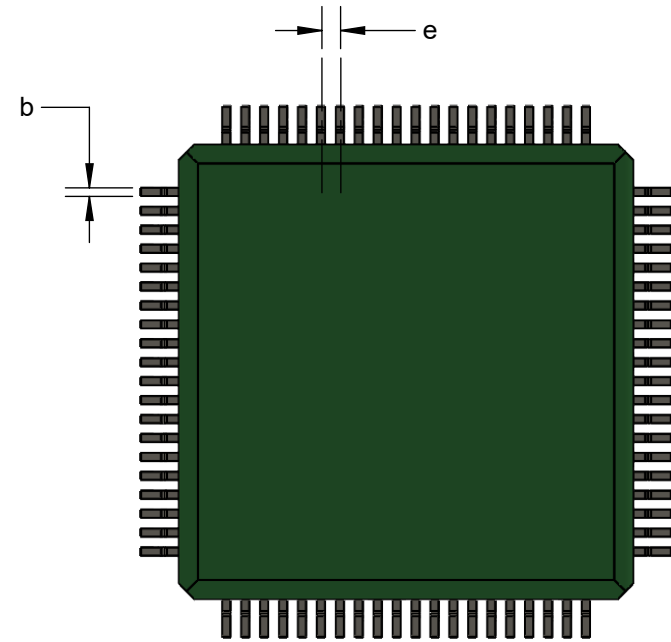
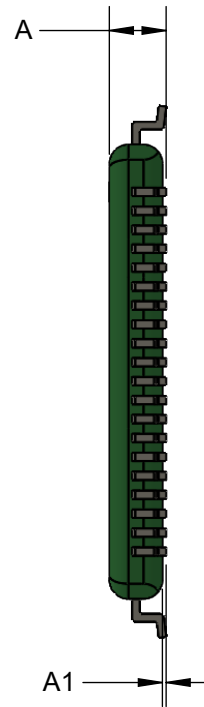
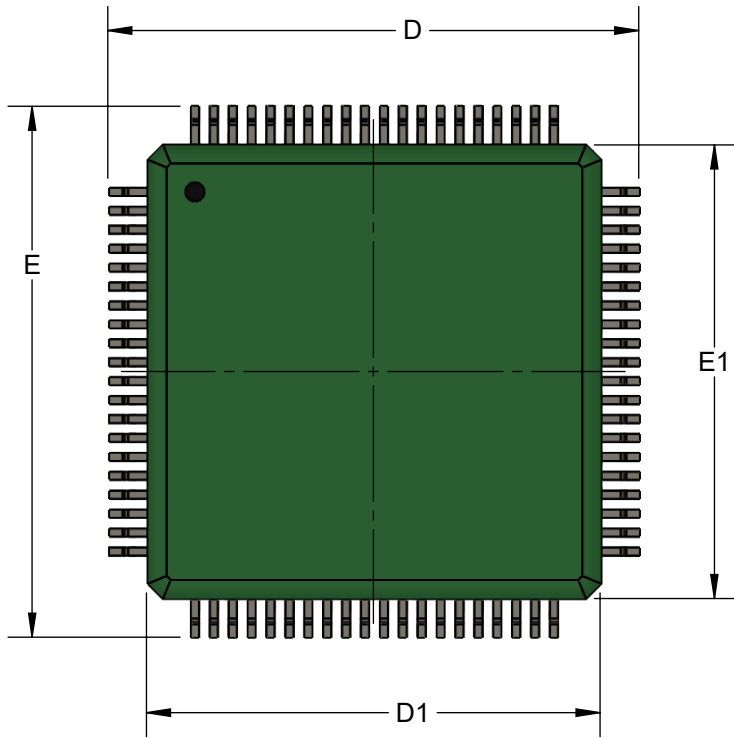
Description: Recommended PCB Layout

Primary dimension units are millimeters, Secondary dimension units are [inches], Weight is in grams.

Tolerances: Hole diameters $\pm 0.0254\text{mm}$ [$\pm 0.001"$], Pitches (from true position) $\pm 0.0762\text{mm}$ [$\pm 0.003"$], substrate thickness tolerance $\pm 10\%$, all other tolerances $\pm 0.127\text{mm}$ [$\pm 0.005"$] unless stated otherwise. Materials and specifications are subject to change without notice.

 C14595 Drawing ©2015 Ironwood Electronics, Inc. Tele: (800) 404-0204 www.ironwoodelectronics.com	Material: N/A Finish: N/A Weight: 8.93	STATUS: Released	SHEET: 2 OF 4	REV. A
		ENG: M.A. Fedde	DRAWN BY: M. Raske	SCALE: 5:1
		FILE: SBT-QFE-3006 Dwg	DATE: 07/22/2015	

Ironwood Package Code: QFE80SC




1. Dimensions are in millimeters.
2. Interpret dimensions and tolerances per ASME Y14.5M-1994.
3. Dimension b is measured at the maximum solder ball diameter, parallel to datum plane Z.
4. Datum Z (seating plane) is defined by the spherical crowns of the solder balls.
5. Parallelism measurement shall exclude any effect of mark on top surface of package.

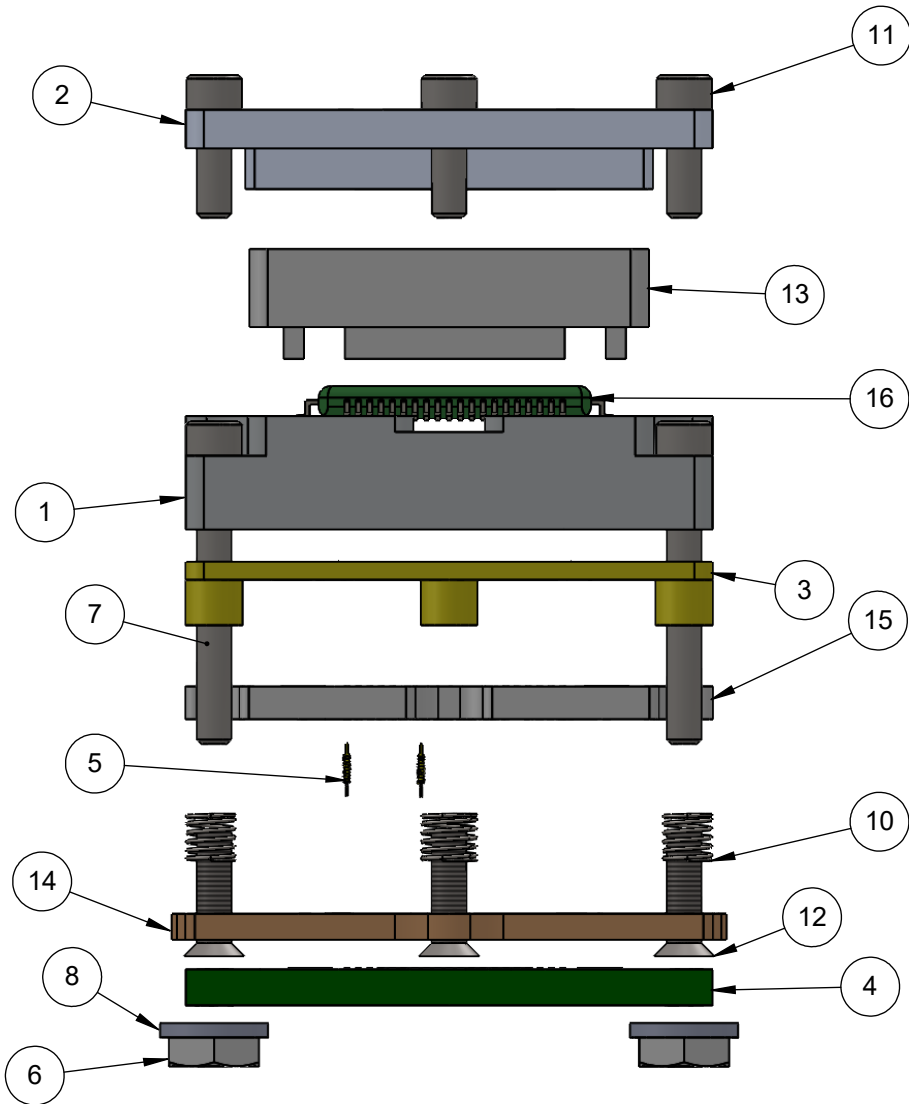
DIM	Minimum	Maximum
A	X.XX	1.60
A1	0.05	0.15
b	0.17	0.23
D	14.00 BSC	
D1	12.00 BSC	
E	14.00 BSC	
E1	12.00 BSC	
e	0.50 BSC	

Description: Compatible QFP

Primary dimension units are millimeters, Secondary dimension units are [inches], Weight is in grams.

Tolerances: Hole diameters $\pm 0.03\text{mm}$ [± 0.001 "], Pitches (from true position) $\pm 0.025\text{mm}$ [± 0.001 "], substrate thickness tolerance $\pm 10\%$, all other tolerances $\pm 0.13\text{mm}$ [± 0.005 " unless stated otherwise. Materials and specifications are subject to change without notice.

 SBT-QFE-3006 Drawing ©2015 Ironwood Electronics, Inc. Tele: (800) 404-0204 www.ironwoodelectronics.com	Material: N/A Finish: N/A Weight: 8.93	STATUS: Released ENG: M.A. Fedde FILE: SBT-QFE-3006 Dwg	SHEET: 3 OF 4 DRAWN BY: M. Raske DATE: 07/22/2015	REV. A SCALE: 5:1




Pin Detail
16:1 Scale

ITEM NO.	DESCRIPTION	Material
1	Socket Base 18mm	7075-T6 (SN)
2	Socket Lid	7075-T6 Aluminum Alloy
3	IC Guide	Torlon 4203
4	PCB QFE80SC 0.5mm pitch	High Temp FR4
5	Stamped Pin, 0.4mm SBT-LGA/QFN	N/A
6	Nut, #0-80, SS	Stainless Steel (18-8)
7	#0-80 x 0.5, SH Cap Screw	Alloy Steel
8	Washer, #0 x .025", Nylon	Nylon 6/6
9	Dowel pin, 1/32" X 1/4", SS	Stainless Steel (18-8)
10	Floating Guide Spring	Alloy Steel (SS)
11	#0-80 X .188 LG, SOC HD CAP SCREW, ALLOY STL, BLK OXIDE	Alloy Steel
12	#0-80, 90 deg., head pin guide screw, Peek material 5.5715mm overall Length	PEEK unfilled
13	Compression Plate	PEEK Ceramic filled
14	Bottom Guide	Semitron MDS 100
15	Top guide	PEEK Ceramic filled
16	CFE Test Chip	Material <not specified>

Description: Socket Assy, Insulation Plate

Primary dimension units are millimeters, Secondary dimension units are [inches], Weight is in grams.

Tolerances: Hole diameters $\pm 0.03\text{mm}$ [$\pm 0.001"$], Pitches (from true position) $\pm 0.025\text{mm}$ [$\pm 0.001"$], substrate thickness tolerance $\pm 10\%$, all other tolerances $\pm 0.13\text{mm}$ [$\pm 0.005"$] unless stated otherwise. Materials and specifications are subject to change without notice.

 SBT-QFE-3006 Drawing ©2015 Ironwood Electronics, Inc. Tele: (800) 404-0204 www.ironwoodelectronics.com	Material: N/A Finish: N/A Weight: 8.93	STATUS: Released	SHEET: 4 OF 4	REV. A
		ENG: M.A. Fedde	DRAWN BY: M. Raske	SCALE: 3:1
		FILE: SBT-QFE-3006 Dwg	DATE: 07/22/2015	