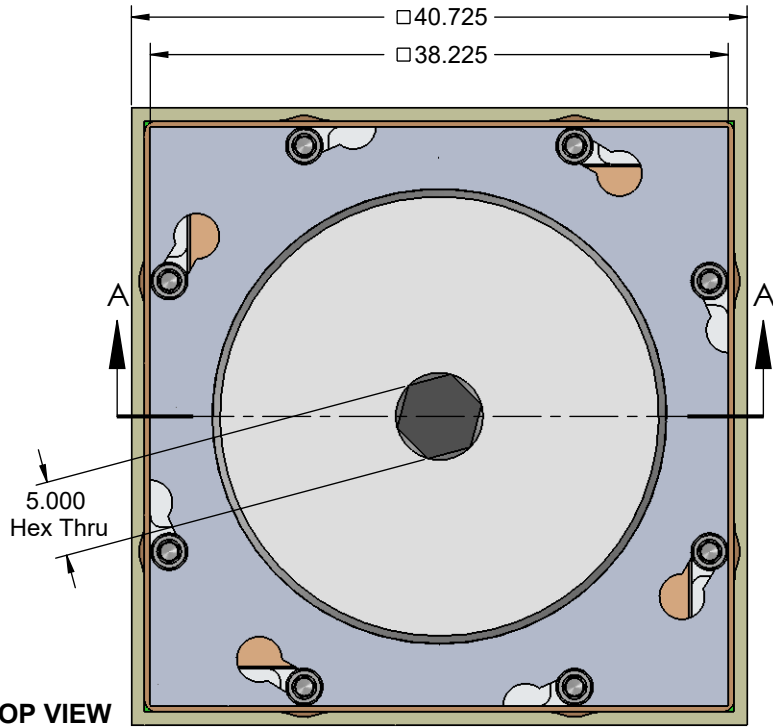
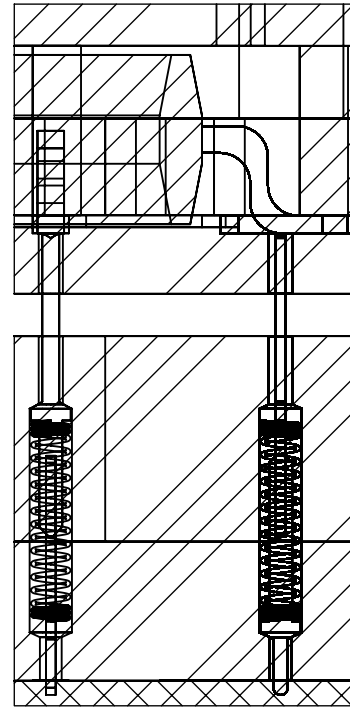


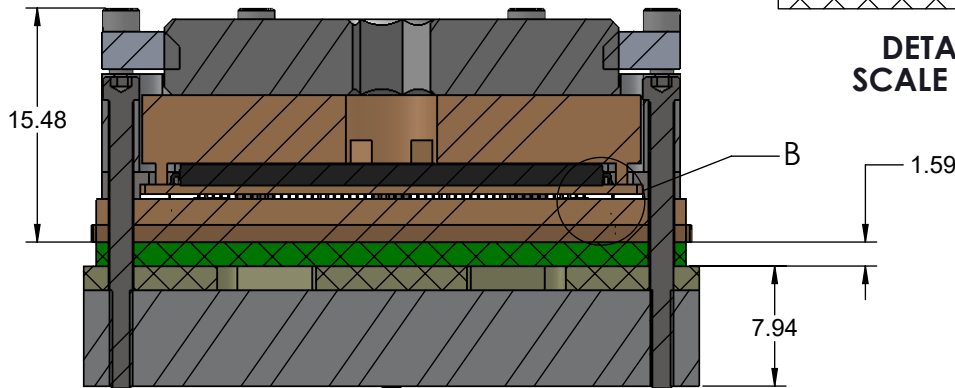
SBT-QFE208 DIRECT MOUNT, SOLDERLESS SOCKET FOR BURN-IN AND TEST APPLICATIONS



TOP VIEW



DETAIL B
SCALE 16 : 1



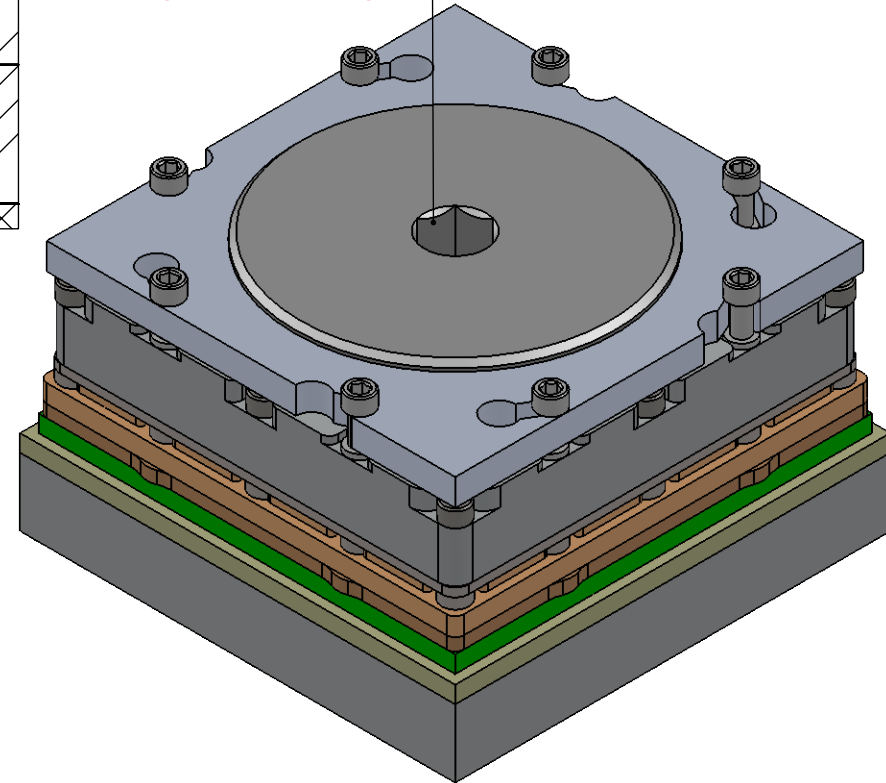
SIDE VIEW

SECTION A-A

Features

- Wide temperature range (-55C to +180C).
- High current capability (up to 4A).
- Excellent signal integrity at high frequencies.
- Low and stable contact resistance for reliable production yield.
- Highly compliant to accommodate wide co-planarity variations.
- Automated probe manufacturing enables low cost and short lead time.

Tighten compression screw until floating guide moves onto middle guide
Approximate torque: 1.57 lbf-in.
{17.74 N-cm}



Description: SBT-QFE208 30mm T2Tmm, 28mm body, 0.5mm pitch

Primary dimension units are millimeters, Secondary dimension units are [inches], Weight is in grams.

Tolerances: Hole diameters $\pm 0.03\text{mm}$ [$\pm 0.001"$], Pitches (from true position) $\pm 0.025\text{mm}$ [$\pm 0.001"$], substrate thickness tolerance $\pm 10\%$, all other tolerances $\pm 0.13\text{mm}$ [$\pm 0.005"$] unless stated otherwise. Materials and specifications are subject to change without notice.

SBT-QFE-3010 Drawing



Ironwood Electronics, Inc.
 Tele: (800) 404-0204
 www.ironwoodelectronics.com

Material: N/A
 Finish: N/A
 Weight: 75.75

STATUS: Released

ENG: V. Panavala

FILE: SBT-QFE-3010 Dwg

SHEET: 1 OF 5

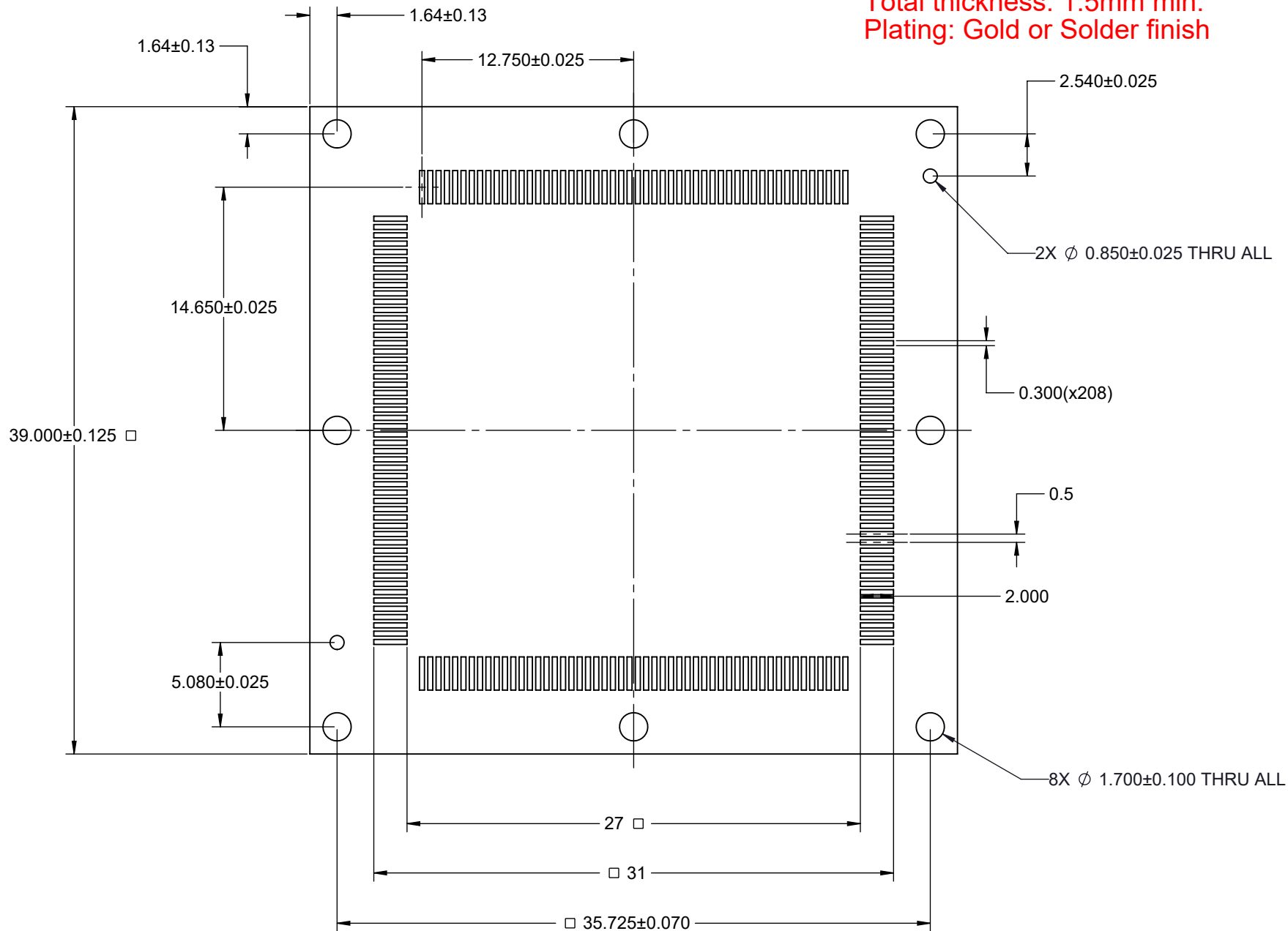
DRAWN BY: M. Raske

DATE: 2/7/2017

REV. A

SCALE: 2:1


Target PCB Recommendations
 Total thickness: 1.5mm min.
 Plating: Gold or Solder finish

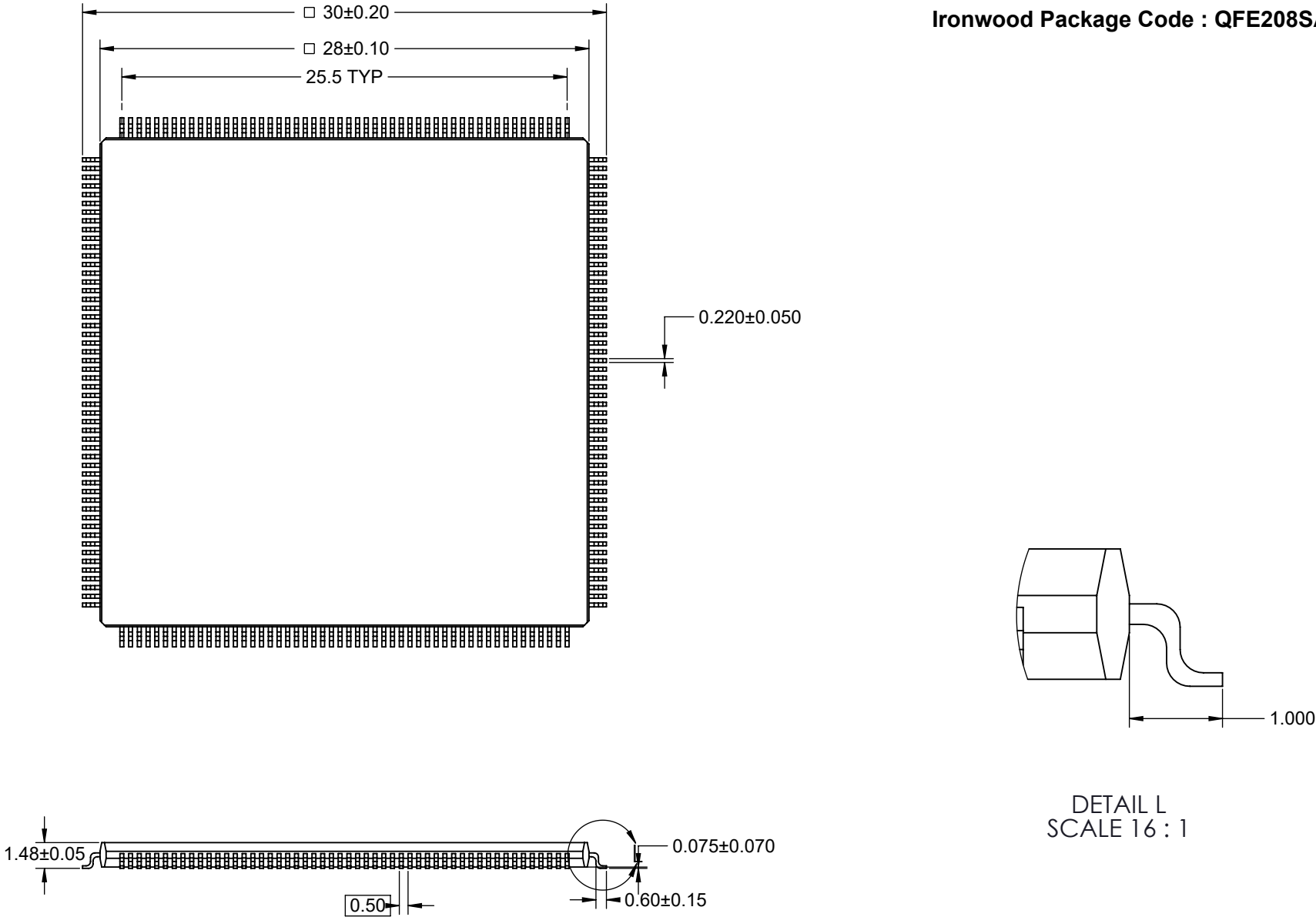


Description: Recommended PCB layout

Primary dimension units are millimeters, Secondary dimension units are [inches], Weight is in grams.


Tolerances: Hole diameters ±0.03mm [±0.001"], Pitches (from true position) ±0.025mm [±0.001"], substrate thickness tolerance ±10%, all other tolerances ±0.13mm [±0.005"] unless stated otherwise. Materials and specifications are subject to change without notice.

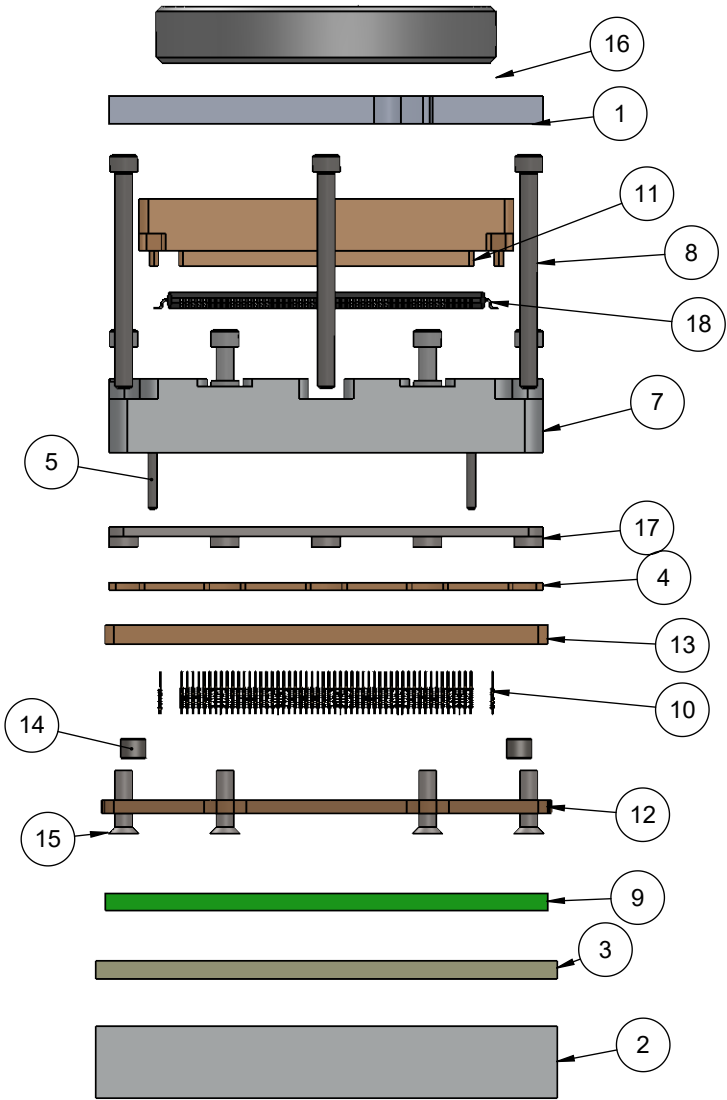
 SBT-QFE-3010 Drawing Ironwood Electronics, Inc. Tele: (800) 404-0204 www.ironwoodelectronics.com	Material: N/A Finish: N/A Weight: 75.75	STATUS: Released ENG: V. Panavala FILE: SBT-QFE-3010 Dwg	SHEET: 2 OF 5 DRAWN BY: M. Raske DATE: 2/7/2017	REV. A SCALE: 3:1



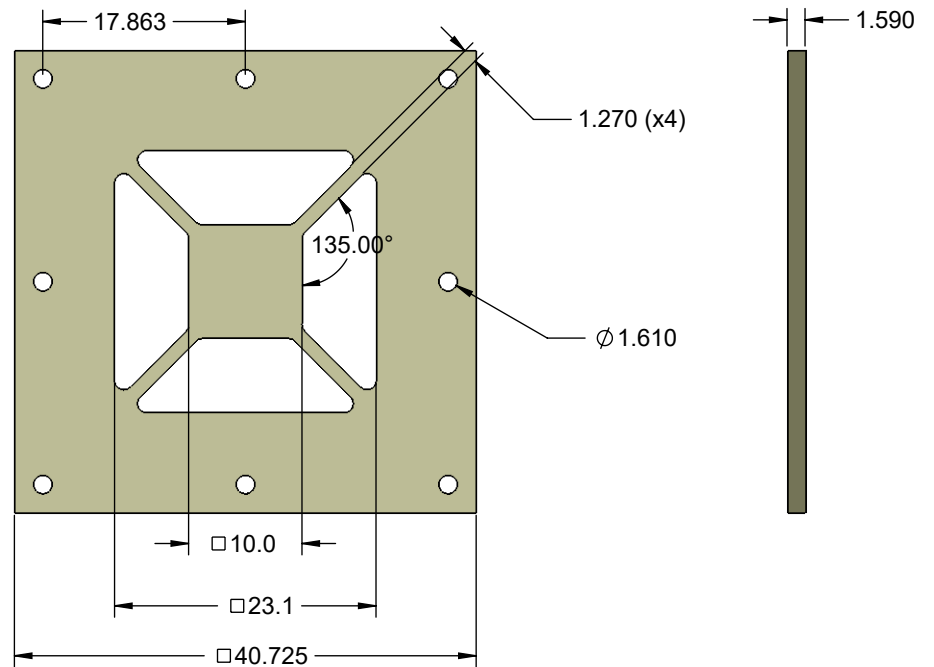
Description: Compatible IC

Primary dimension units are millimeters, Secondary dimension units are [inches], Weight is in grams.
 Tolerances: Hole diameters $\pm 0.03\text{mm}$ [± 0.001 "], Pitches (from true position) $\pm 0.025\text{mm}$ [± 0.001 "], substrate thickness tolerance $\pm 10\%$, all other tolerances $\pm 0.13\text{mm}$ [± 0.005 " unless stated otherwise. Materials and specifications are subject to change without notice.

 SBT-QFE-3010 Drawing Ironwood Electronics, Inc. Tele: (800) 404-0204 www.ironwoodelectronics.com	Material: N/A Finish: N/A Weight: 75.75	STATUS: Released	SHEET: 3 OF 5	REV. A
		ENG: V. Panavala	DRAWN BY: M. Raske	SCALE: 3:1
		FILE: SBT-QFE-3010 Dwg	DATE: 2/7/2017	




ITEM NO.	DESCRIPTION	Material
1	Socket Lid 33mm GHz swivel	7075-T6 Aluminum Alloy
2	Backing Plate	7075-T6 Aluminum Alloy
3	Insulating Plate 33mm IC	High Temp FR4
4	Floating Guide QFE208 0.5mm pitch	Semitron MDS 100
5	Dowel pin, 1/32" X 1/4", SS	Stainless Steel (18-8)
6	#0-80 Shoulder Screw, 2.29mm thread length	Stainless Steel (303)
7	GHz Socket Base 33x33mm IC 6.5m thick	7075-T6 Aluminum Alloy
8	#0-80 X .75 LG, SOC HD CAP SCREW, ALLOY STL, BLK OXIDE	Alloy Steel
9	QFE 208 Test PCB	FR4 High temp
10	Stamped Pin, 0.4mm SBT-BGA	N/A
11	Compression Plate QFE 208	Torlon 5530
12	Bottom Guide, QFE208 0.5mm pitch	Semitron MDS 100
13	Floating Guide QFE208 0.5mm pitch	Semitron MDS 100
14	Floating Guide Spring	Alloy Steel (SS)
15	#0-80, 90 deg., head pin guide screw, Peek material 5.5715mm overall Length	PEEK unfilled
16	Compression Screw	7075-T6 Alumium Alloy
17	IC Guide QFE208 30x30mm T-T	PEEK
18	QFP 208 Test Chip	Material <not specified>

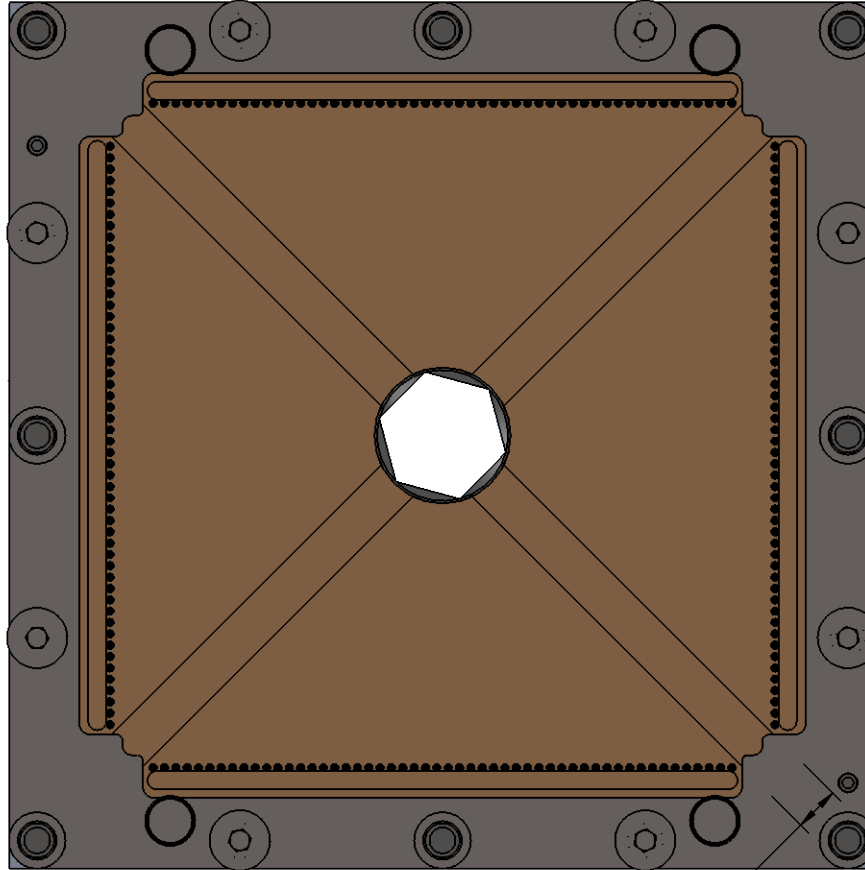


Description: Skt, Insulation Plate, Pin Det

Primary dimension units are millimeters, Secondary dimension units are [inches], Weight is in grams.

Tolerances: Hole diameters $\pm 0.03\text{mm}$ [± 0.001 "], Pitches (from true position) $\pm 0.025\text{mm}$ [± 0.001 "], substrate thickness tolerance $\pm 10\%$, all other tolerances $\pm 0.13\text{mm}$ [± 0.005 "] unless stated otherwise. Materials and specifications are subject to change without notice.

 SBT-QFE-3010 Drawing Ironwood Electronics, Inc. Tele: (800) 404-0204 www.ironwoodelectronics.com	Material: N/A Finish: N/A Weight: 75.75	STATUS: Released ENG: V. Panavala FILE: SBT-QFE-3010 Dwg	SHEET: 4 OF 5 DRAWN BY: M. Raske DATE: 2/7/2017	REV. A SCALE: 1.5:1
---	---	--	---	------------------------




2.000
1.5mm deep

Socket Bottom view (to show compression plate cutouts)

Description: Compression plate

Primary dimension units are millimeters, Secondary dimension units are [inches], Weight is in grams.

Tolerances: Hole diameters $\pm 0.0254\text{mm}$ [$\pm 0.001"$], Pitches (from true position) $\pm 0.0762\text{mm}$ [$\pm 0.003"$], substrate thickness tolerance $\pm 10\%$, all other tolerances $\pm 0.127\text{mm}$ [$\pm 0.005"$] unless stated otherwise. Materials and specifications are subject to change without notice.

 <p>©2015 Ironwood Electronics, Inc. Tele: (800) 404-0204 www.ironwoodelectronics.com</p>	<p>SBT-QFE-3010 Drawing</p>	<p>Material: N/A Finish: N/A Weight: 75.75</p>	<p>STATUS: Released ENG: V. Panavala FILE: SBT-QFE-3010 Dwg</p>	<p>SHEET: 5 OF 5 DRAWN BY: M. Raske DATE: 2/7/2017</p>	<p>REV. A SCALE: 3:1</p>