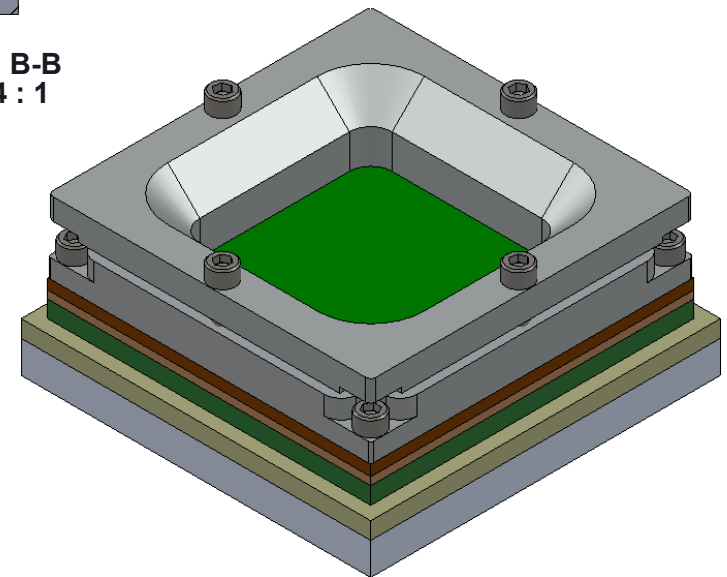
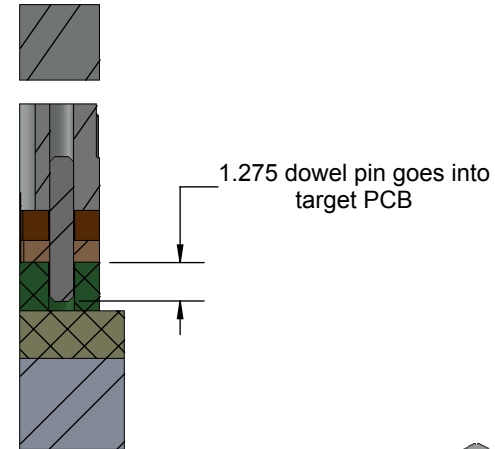
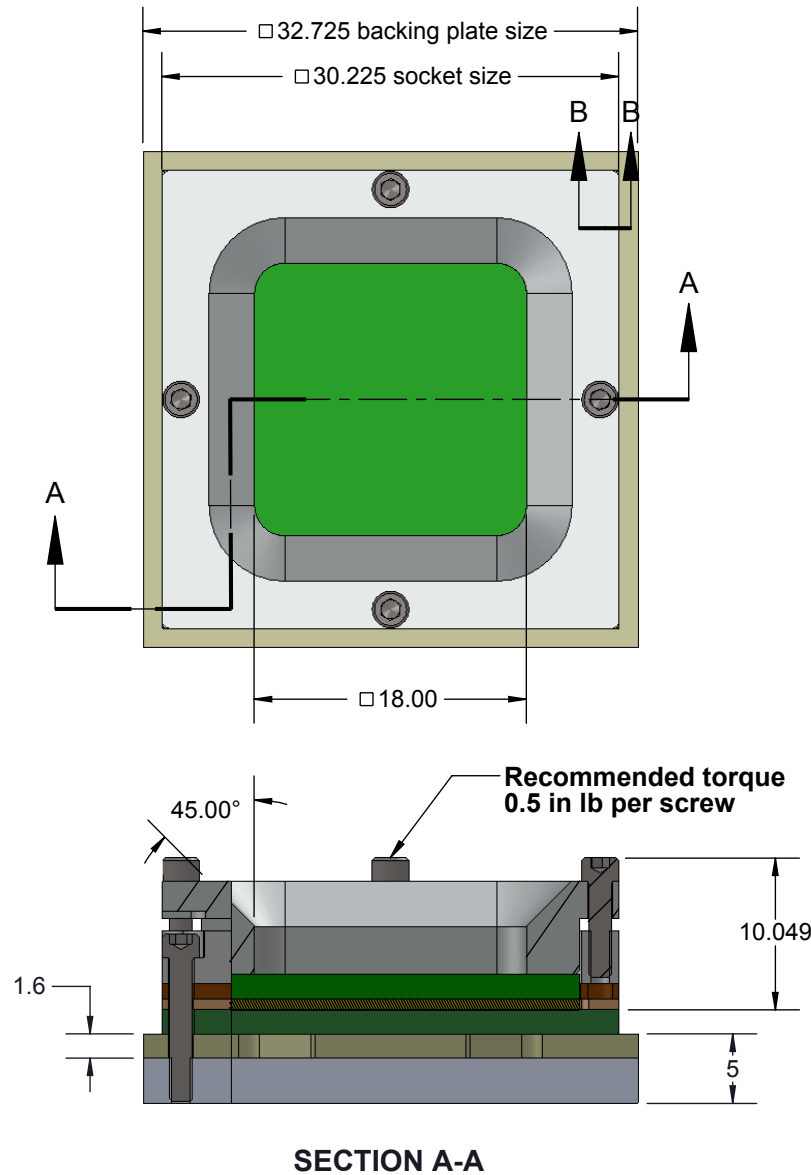


GHz LGA Socket - Direct mount, solderless

Features


- Directly mounts to target PCB (needs tooling holes) with hardware
- High speed, reliable Elastomer connection
- Minimum real estate required
- Compression plate distributes forces evenly
- Ball guide prevents over compression of elastomer



Description: Socket for 25x25mm 1mm pitch LGA

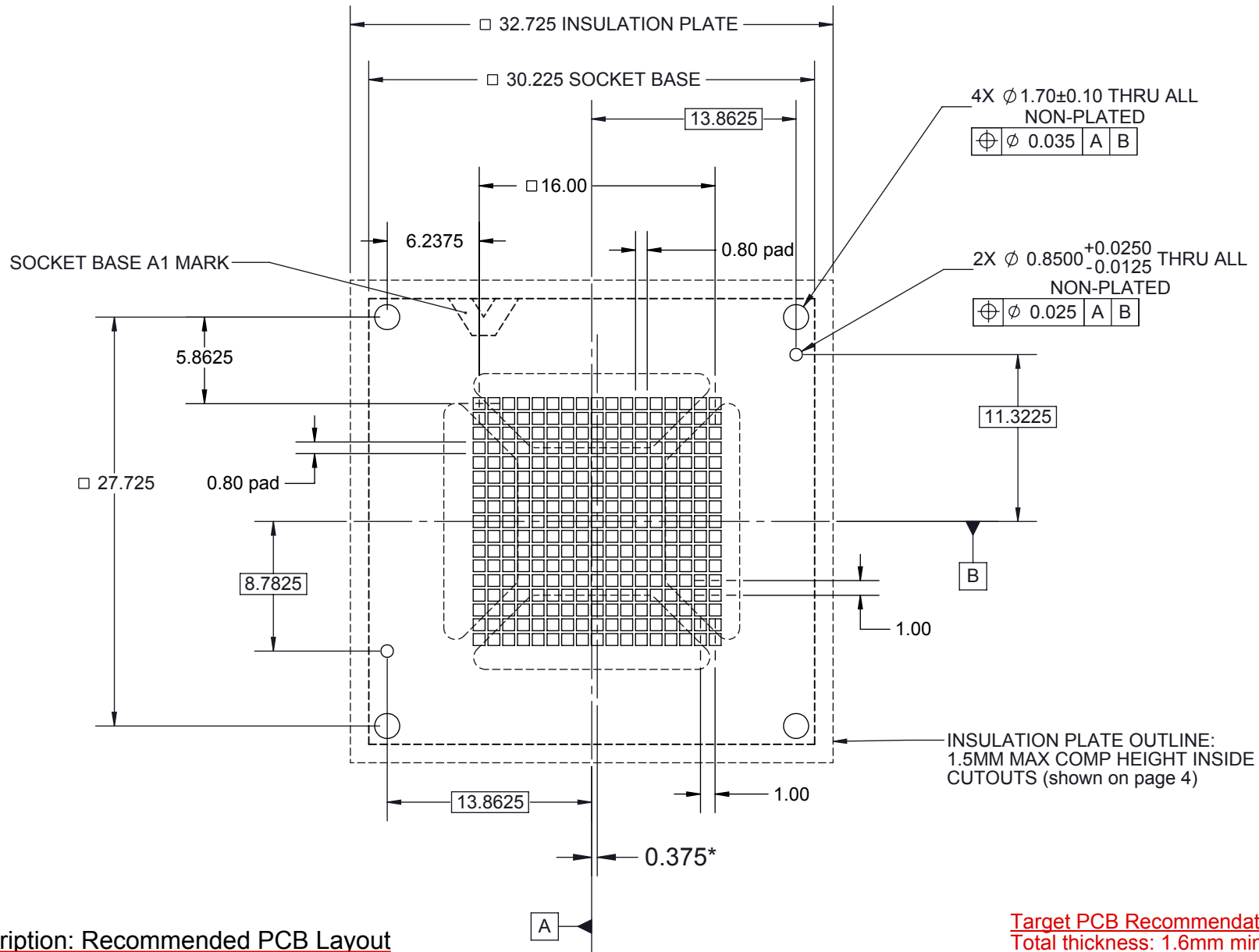
Primary dimension units are millimeters, Secondary dimension units are [inches], Weight is in grams.

Tolerances: Hole diameters $\pm 0.0254\text{mm}$ [± 0.001 "]. Pitches (from true position) $\pm 0.0762\text{mm}$ [± 0.003 "]. substrate thickness tolerance $\pm 10\%$, all other tolerances $\pm 0.127\text{mm}$ [± 0.005 "] unless stated otherwise. Materials and specifications are subject to change without notice.

 SG-LGA-6004 Drawing Ironwood Electronics, Inc. Tele: (800) 404-0204 www.ironwoodelectronics.com	Material: N/A Finish: N/A Weight: 25.24	STATUS: Released ENG: E. Smolentseva FILE: SG-LGA-6004 Dwg	SHEET: 1 OF 4 DRAWN BY: M. Raske DATE: 10/09/2014	REV. A SCALE: 2:1

Note: Full BGA pattern shown.
Please adjust pattern according to individual requirements.

***Note: LGA pattern is not symmetrical with respect to the mounting/alignment holes. Pattern is shifted 0.375 to right of center**



Description: Recommended PCB Layout

Primary dimension units are millimeters, Secondary dimension units are [inches], Weight is in grams.


Tolerances: Hole diameters $\pm 0.03\text{mm}$ [± 0.001 "], Pitches (from true position) $\pm 0.025\text{mm}$ [± 0.001 "], substrate thickness tolerance $\pm 10\%$, all other tolerances $\pm 0.13\text{mm}$ [± 0.005 "] unless stated otherwise. Materials and specifications are subject to change without notice.

Target PCB Recommendations

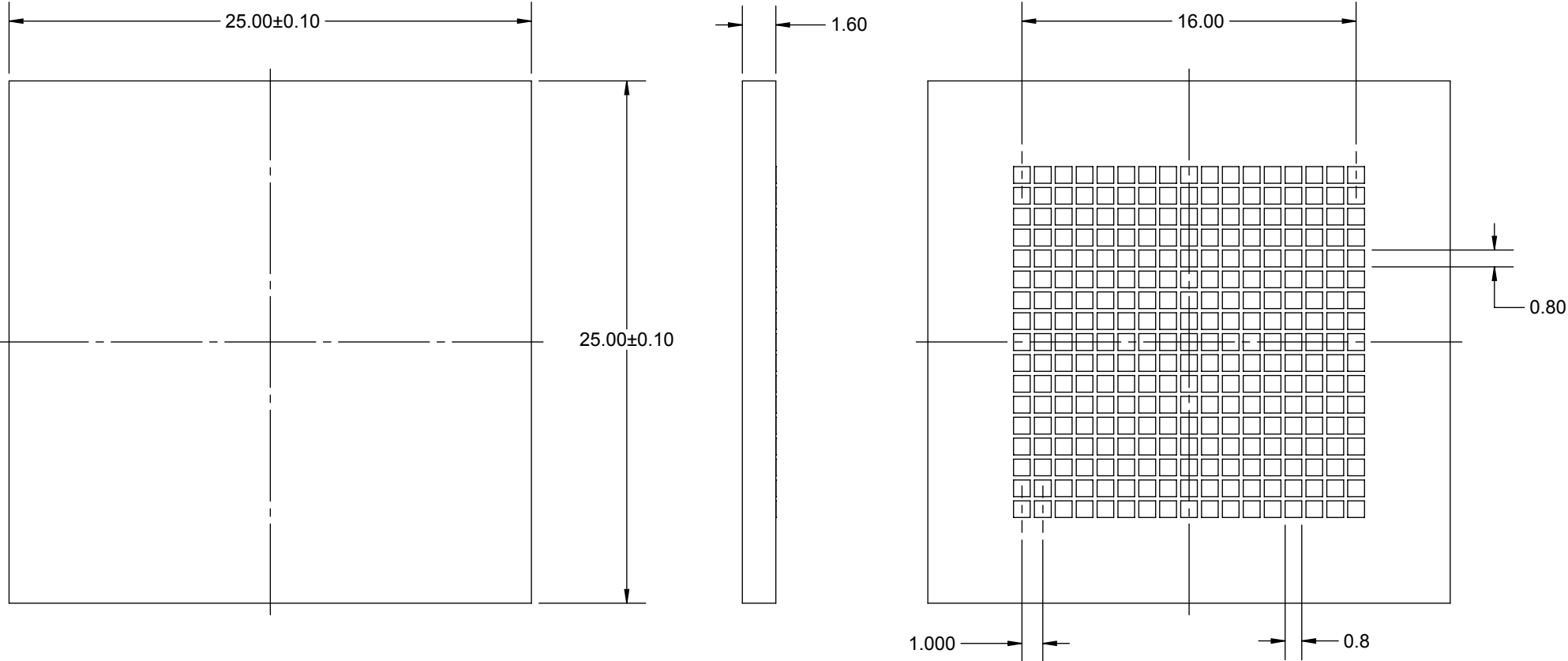
Total thickness: 1.6mm min.

Plating: Gold or Solder finish

PCB Pad height: Same or higher than solder mask


 SG-LGA-6004 Drawing Ironwood Electronics, Inc. Tele: (800) 404-0204 www.ironwoodelectronics.com	Material: N/A Finish: N/A Weight: 25.24	STATUS: Released ENG: E. Smolentseva FILE: SG-LGA-6004 Dwg	SHEET: 2 OF 4 DRAWN BY: M. Raske DATE: 10/09/2014	REV. A SCALE: 5:2

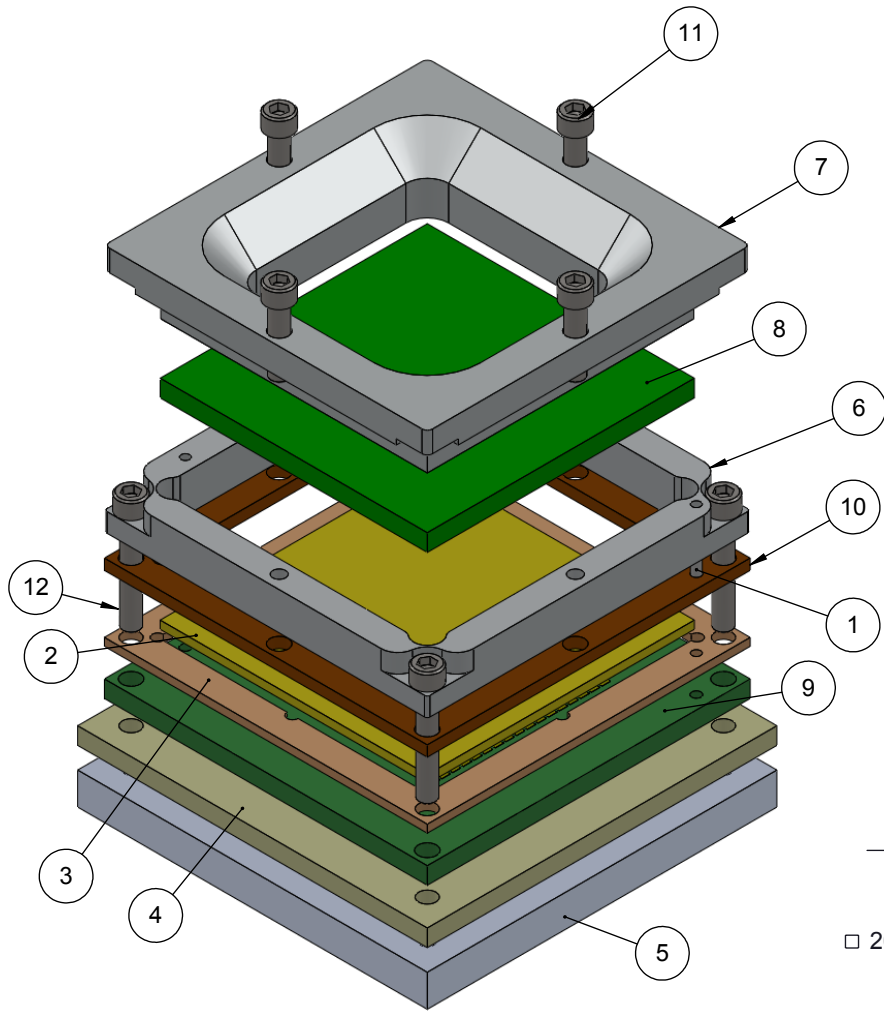
17 x 17 array



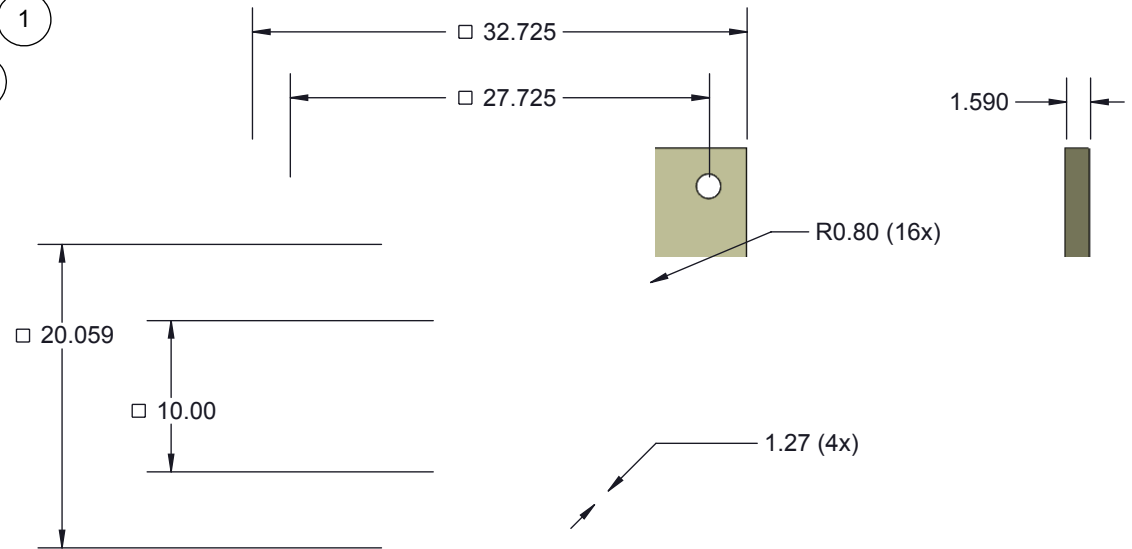
Description: Compatible Device

Primary dimension units are millimeters, Secondary dimension units are [inches], Weight is in grams.
 Tolerances: Hole diameters $\pm 0.03\text{mm}$ [± 0.001 "], Pitches (from true position) $\pm 0.025\text{mm}$ [± 0.001 "], substrate thickness tolerance $\pm 10\%$, all other tolerances $\pm 0.13\text{mm}$ [± 0.005 " unless stated otherwise. Materials and specifications are subject to change without notice.

 <p>SG-LGA-6004 Drawing Ironwood Electronics, Inc. Tele: (800) 404-0204 www.ironwoodelectronics.com</p>	<p>Material: N/A Finish: N/A Weight: 25.24</p>	STATUS: Released	SHEET: 3 OF 4	REV. A
		ENG: E. Smolentseva	DRAWN BY: M. Raske	SCALE: 3.5:1
		FILE: SG-LGA-6004 Dwg	DATE: 10/09/2014	



ITEM NO.	Description	Material
1	Dowel Pin, 1/32" x 3/16", SS	Chrome Stainless Steel
2	25mm square 0.75mm thick 0.1mm pitch 63 deg angled elastomer	Shin-etsu Elastomer
3	Elastomer Guide 25mm IC	Ultem 1000
4	Insulation Plate 25x25mm IC	FR4
5	Backing Plate 25x25mm, 3.0mm thick	7075-T6 Aluminum Alloy
6	Socket Base	7075-T6 Aluminum Alloy
7	Socket lid	7075-T6 Aluminum Alloy
8	Customer's device	Material <not specified>
9	Customer's target PCB	FR4 Standard
10	IC Guide	Kapton Polyimide/Cirlex
11	#0-80 X .25 LG, SOC HD CAP SCREW, ALLOY STL, BLK OXIDE	Alloy Steel
12	#0-80 X .375 LG, SOC HD CAP SCREW, ALLOY STL, BLK OXIDE	Alloy Steel




Description: Socket, Backing Plate Detail

Primary dimension units are millimeters, Secondary dimension units are [inches], Weight is in grams.

Tolerances: Hole diameters $\pm 0.03\text{mm}$ [± 0.001 "], Pitches (from true position) $\pm 0.025\text{mm}$ [± 0.001 "], substrate thickness tolerance $\pm 10\%$, all other tolerances $\pm 0.13\text{mm}$ [± 0.005 "] unless stated otherwise. Materials and specifications are subject to change without notice.

INSULATION PLATE DETAIL

 SG-LGA-6004 Drawing Ironwood Electronics, Inc. Tele: (800) 404-0204 www.ironwoodelectronics.com	Material: N/A Finish: N/A Weight: 25.24	STATUS: Released	SHEET: 4 OF 4	REV. A
		ENG: E. Smolentseva	DRAWN BY: M. Raske	SCALE: 2:1
		FILE: SG-LGA-6004 Dwg	DATE: 10/09/2014	