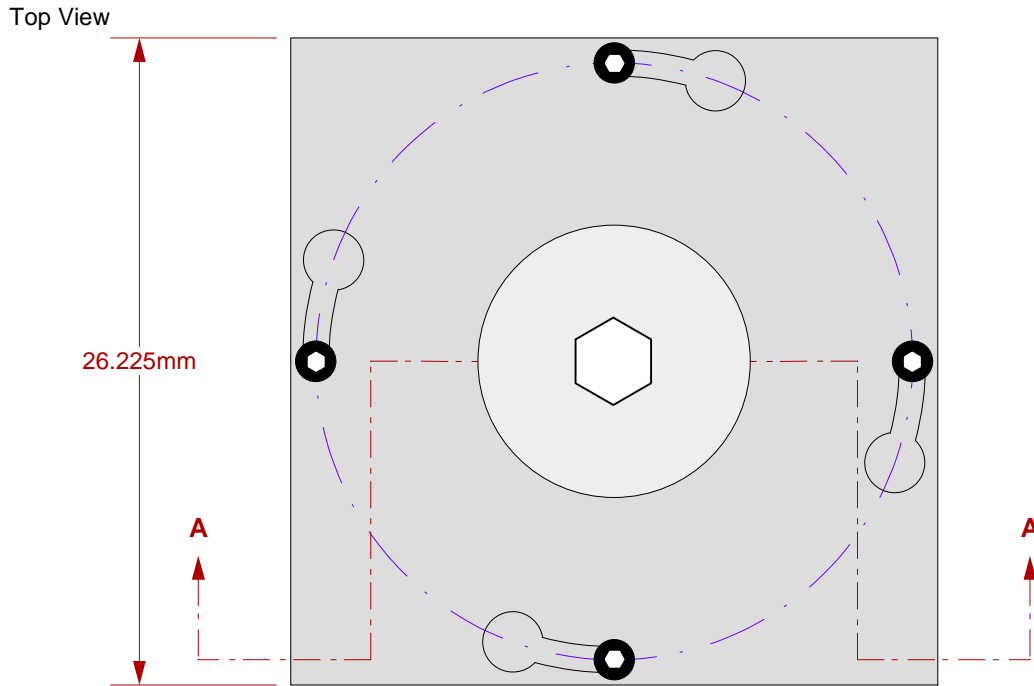


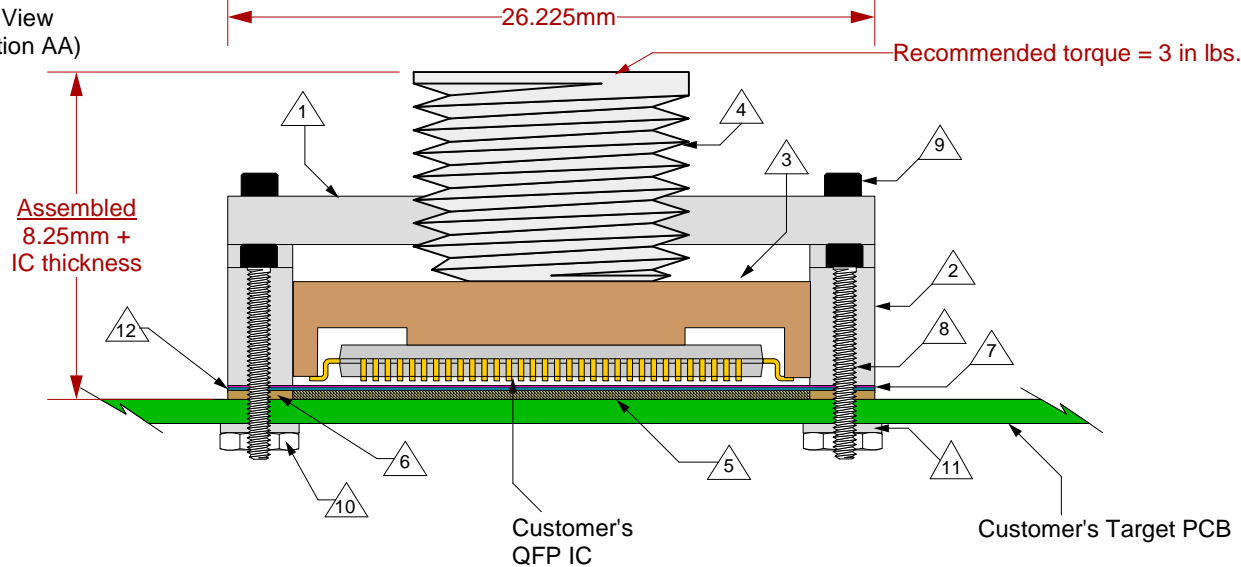
GHz QFP128 Socket - Direct mount, solderless

Features


- Directly mounts to target PCB (needs tooling holes) with hardware.
- High speed, reliable Elastomer connection
- Minimum real estate required
- Compression plate distributes forces evenly
- Easily removable swivel socket lid



Side View
(Section AA)

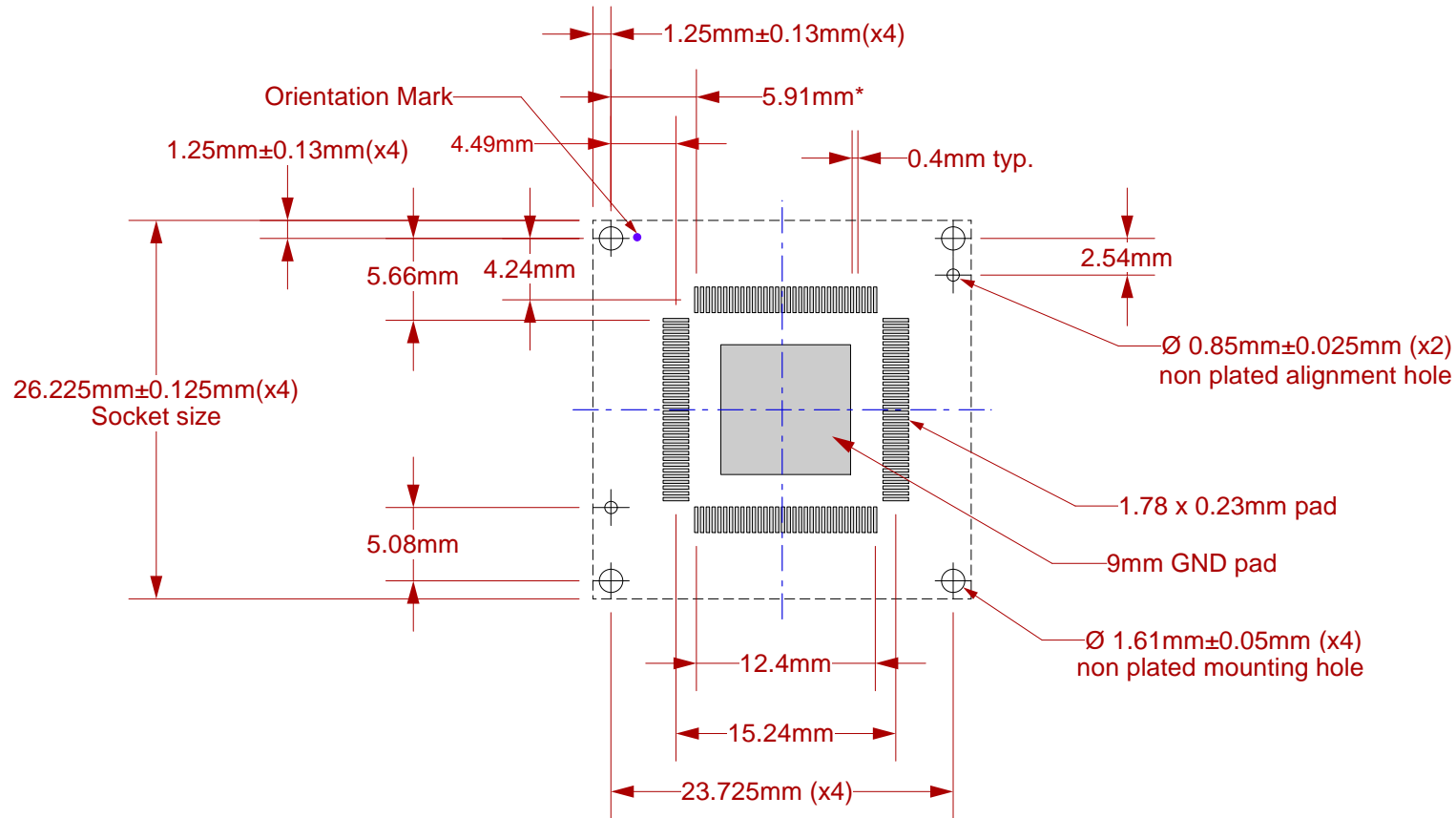


- △ 1 Socket Lid: Black anodized Aluminum. Thickness = 2.5mm.
- △ 2 Socket base: Black anodized Aluminum. Thickness = 5mm.
- △ 3 Compression Plate: Ultem 1000
- △ 4 Compression screw: Black anodized Aluminum. Thickness = 5mm, Hex socket = 5mm.
- △ 5 Elastomer: 20 micron dia gold plated brass filaments arranged symmetrically in a silicone rubber (63.5 degree angle). Thickness = 0.5mm.
- △ 6 Elastomer Guide: Non-clad FR4. Thickness = 0.5mm.
- △ 7 IC Guide: Torlon
- △ 8 Socket base screw: Socket head cap, alloy steel with black oxide finish, 0-80 fine thread, 9.525mm long.
- △ 9 Socket lid screw: Shoulder screw, 18-8 SS, 0-80 fine thread.
- △ 10 Socket base nut: 18-8 Stainless steel, 0-80 fine thread.
- △ 11 Nylon washer: 1.73mm ID; 4.78mm OD 0.64mm thickness.
- △ 12 Lead Guide: Kapton Polyamide 0.003" thick

	SG-QFE-7000 Drawing	Status: Released	Scale: -	Rev: F
	© 2009 IRONWOOD ELECTRONICS, INC. Tele: (800) 404-0204 www.ironwoodelectronics.com	Drawing: H. Hansen	Date: 8/1/06	
		File: SG-QFE-7000 Dwg	Modified: 3/26/14	

All tolerances: $\pm 0.125\text{mm}$ (unless stated otherwise). Materials and specifications are subject to change without notice.

***Note: QFP pattern is not symmetrical with respect to the mounting holes.**



Target PCB Recommendations

Total thickness: 1.6mm min.
Plating: Gold or Solder finish
PCB Pad height: Same or higher than solder mask

NOTE: Steel backing plate may be required based on end user's application

Recommended PCB Layout Tolerances: ±0.025mm [±0.001"] unless stated otherwise.

SG-QFE-7000 Drawing

Status: Released

Scale: -

Rev: F

© 2009 IRONWOOD ELECTRONICS, INC.
Tele: (800) 404-0204
www.ironwoodelectronics.com

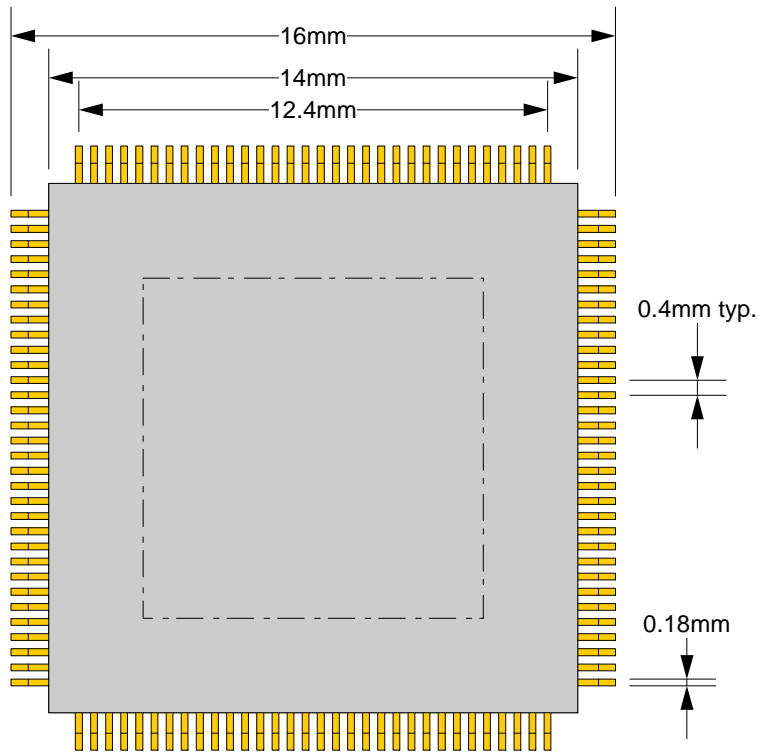
Drawing: H. Hansen

Date: 8/1/06

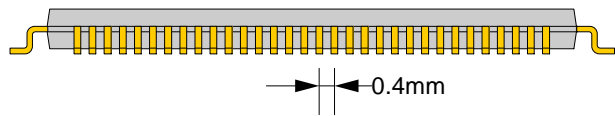
File: SG-QFE-7000 Dwg

Modified: 3/26/14

TOP VIEW
(Reference Only)



Top View



Side View

Ironwood Package codes accommodated

Pkg. Code	Pins	Pitch	Body Size	Tip to tip	foot length
QFE128SD	128	0.4mm	14mm x 14mm	16mm x 16mm	0.6mm

SG-QFE-7000 Drawing

Status: Released

Scale: -

Rev: F



© 2009 IRONWOOD ELECTRONICS, INC.
Tele: (800) 404-0204
www.ironwoodelectronics.com

Drawing: H. Hansen

Date: 8/1/06

File: SG-QFE-7000 Dwg

Modified: 3/26/14