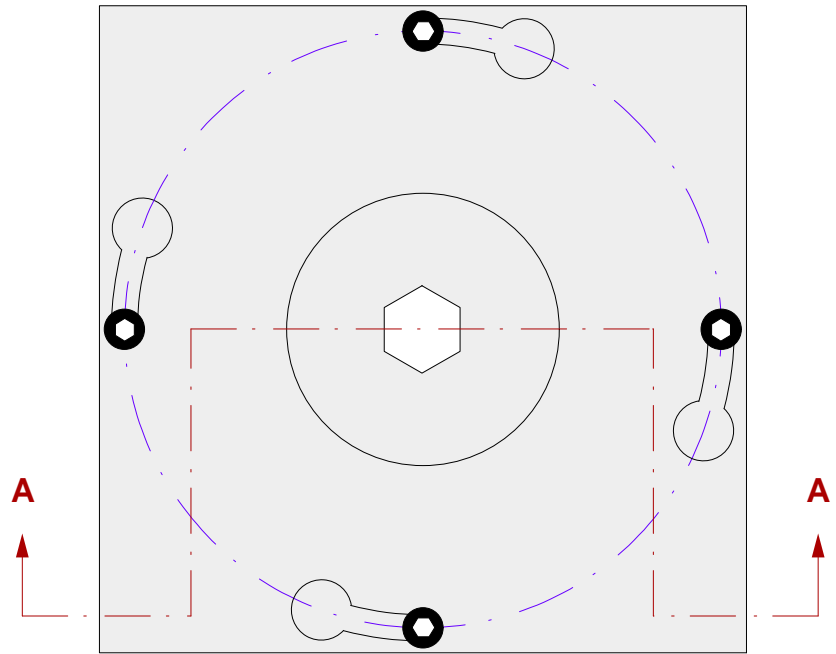


GHz Socket - Direct mount, solderless

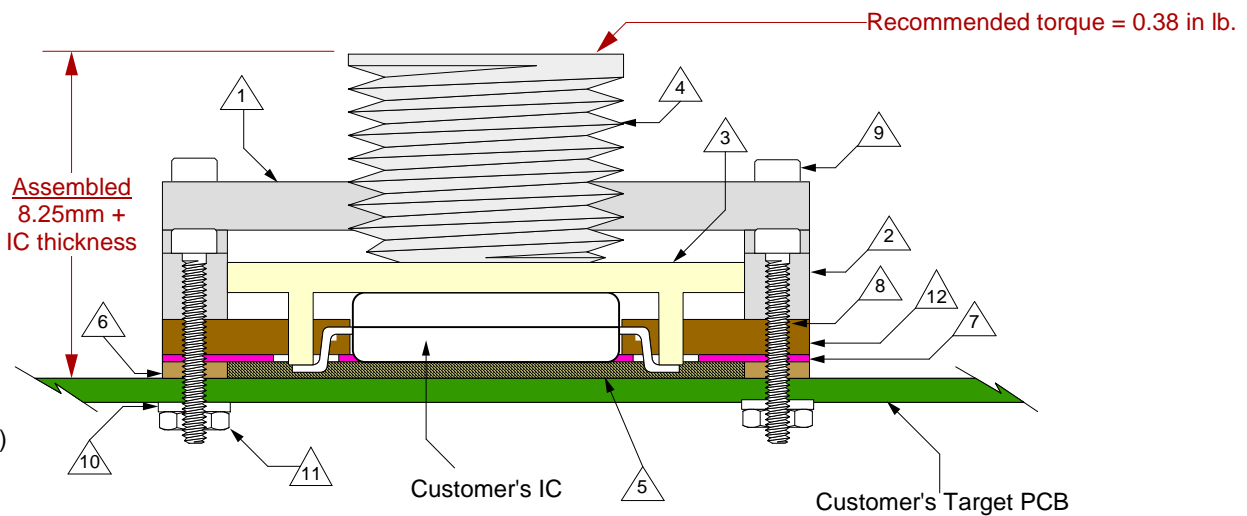
Features

- Directly mounts to target PCB (needs tooling holes) with hardware.
- High speed, reliable Elastomer connection
- Minimum real estate required
- Compression plate distributes forces evenly
- Easily removable swivel socket lid


Top View



Side View
(Section AA)

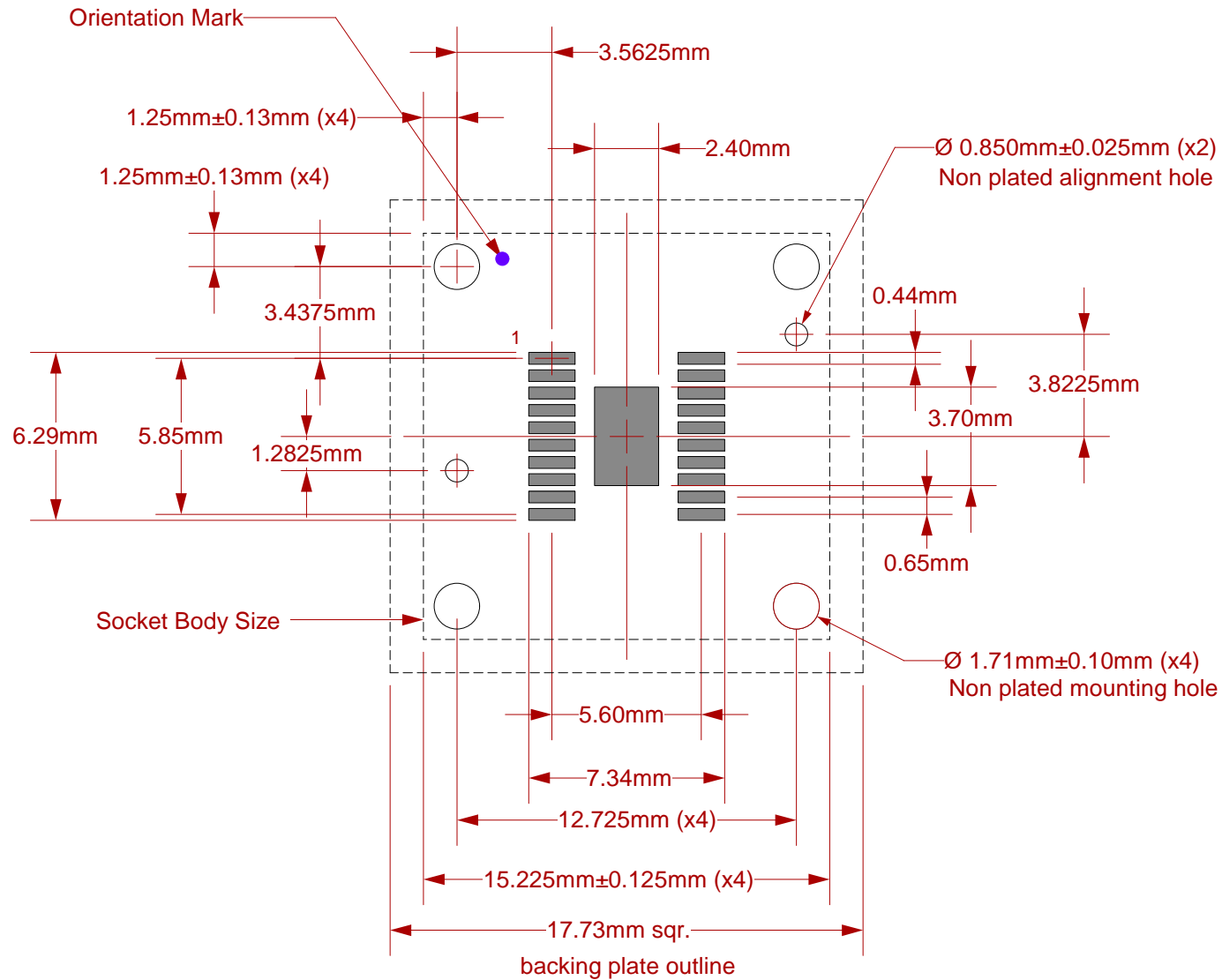


- △ 1 Socket Lid: Black anodized Aluminum. Thickness = 2.5mm.
- △ 2 Socket base: Black anodized Aluminum. Thickness = 5mm.
- △ 3 Compression Plate: Ceramic Filled Peek
- △ 4 Compression screw: Clear anodized Aluminum. Thickness = 5mm, Hex socket = 5mm.
- △ 5 Elastomer: 20 micron dia gold plated brass filaments arranged symmetrically in a silicone rubber (63.5 degree angle). Thickness = 0.5mm.
- △ 6 Elastomer Guide: Non-clad FR4. Thickness = 0.475mm.
- △ 7 Lead Guide: Kapton Film
- △ 8 Socket base screw: Socket head cap, alloy steel with black oxide finish, 0-80 fine thread , 9.525mm long.
- △ 9 Socket lid screw: Socket head cap, alloy steel with black oxide finish, 0-80 fine thread , 4.76mm long.
- △ 10 Nylon washer
- △ 11 Hex nut
- △ 12 IC Guide: Ultem 1000

 <p>© 2012 IRONWOOD ELECTRONICS, INC. Tele: (800) 404-0204 www.ironwoodelectronics.com</p>	SG-SOIC-3001 Drawing		Status: Released	Scale: -	Rev: A
	Drawing: E Smolentseva		Date: 3/3/10		
	File: SG-SOIC-3001 Dwg.mcd		Modified:		

All tolerances: ±0.125mm (unless stated otherwise). Materials and specifications are subject to change without notice.

Recommended PCB Layout
Top View



Target PCB Recommendations

Total thickness: 1.45mm min.

Plating: Immersion Gold, Immersion Silver, or Solder finish.

PCB Pad height: Same or higher than solder mask

Recommended PCB Layout Tolerances: $\pm 0.025\text{mm}$ [$\pm 0.001''$] unless stated otherwise.

SG-SOIC-3001 Drawing

Status: Released

Scale: -

Rev: A



© 2012 IRONWOOD ELECTRONICS, INC.
 Tele: (800) 404-0204
 www.ironwoodelectronics.com

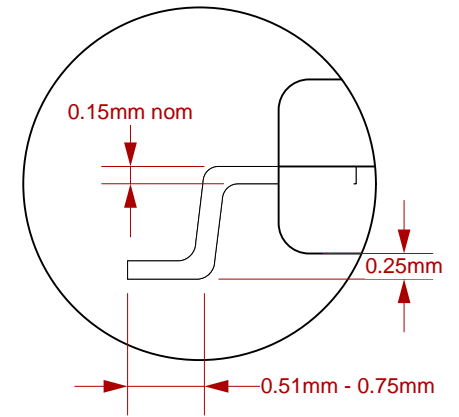
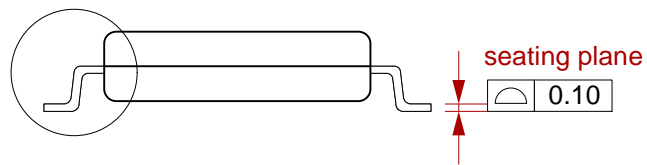
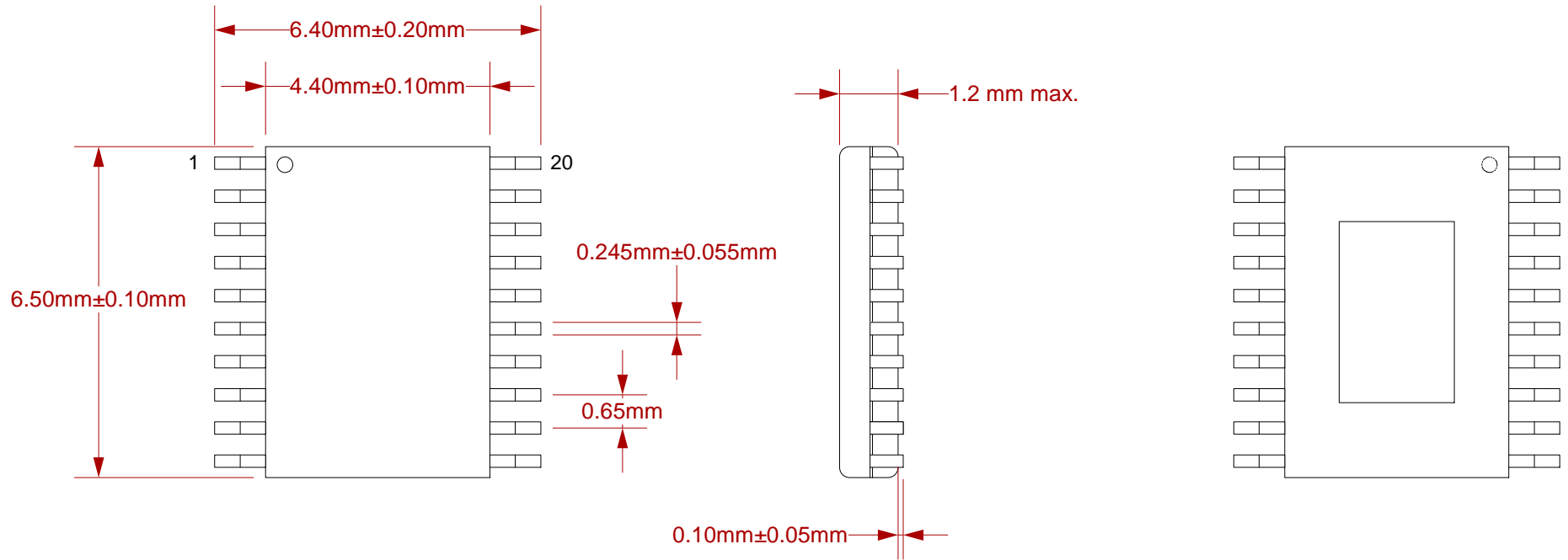
Drawing: E Smolentseva

Date: 3/3/10

File: SG-SOIC-3001 Dwg.mcd

Modified:

Compatible IC Spec.



SG-SOIC-3001 Drawing

Status: Released

Scale: -

Rev: A



© 2012 IRONWOOD ELECTRONICS, INC.
 Tele: (800) 404-0204
 www.ironwoodelectronics.com

Drawing: E Smolentseva

Date: 3/3/10

File: SG-SOIC-3001 Dwg.mcd

Modified: