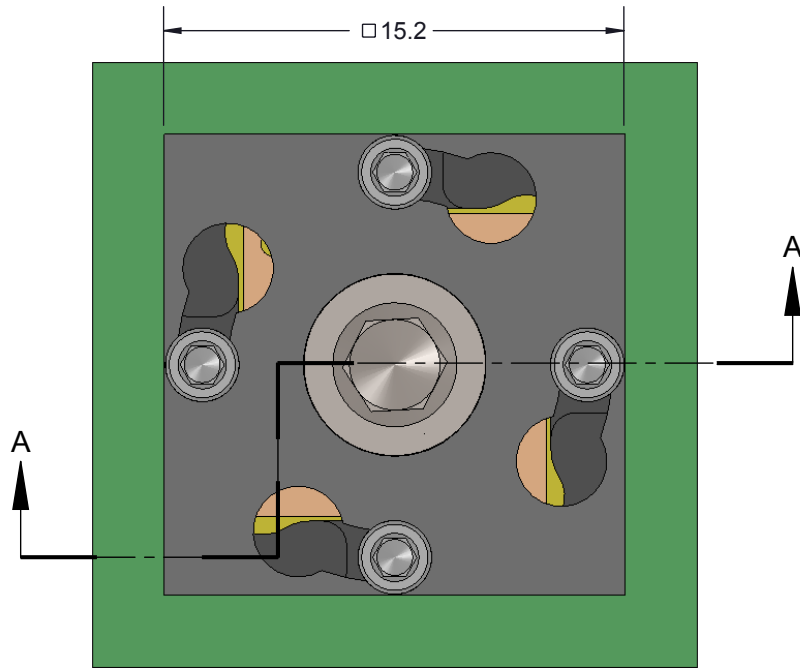


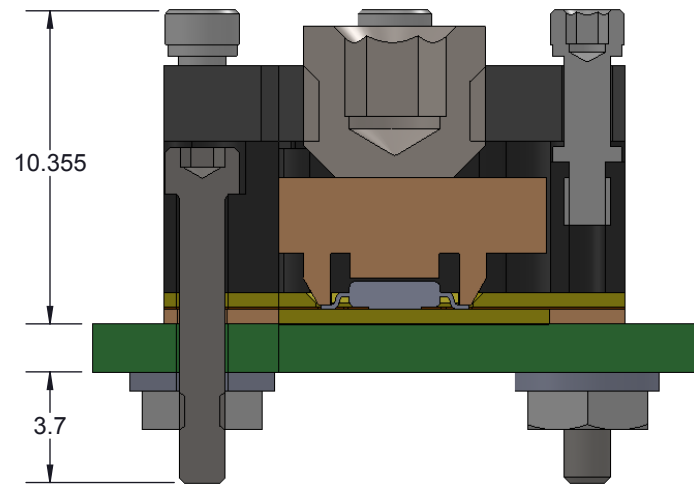
GHz BGA Socket - Direct mount, solderless

Features

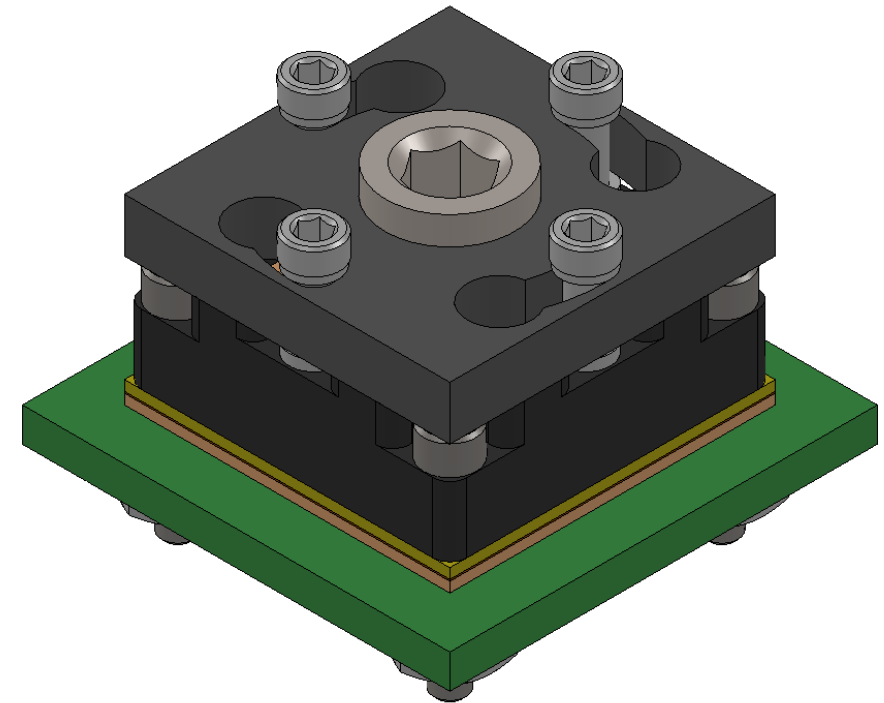
- Directly mounts to target PCB (needs tooling holes) with hardware
- High speed, reliable Elastomer connection
- Minimum real estate required
- Compression plate distributes forces evenly
- Ball guide prevents over compression of elastomer
- Easily removable swivel socket lid



TOP VIEW




SECTION A-A

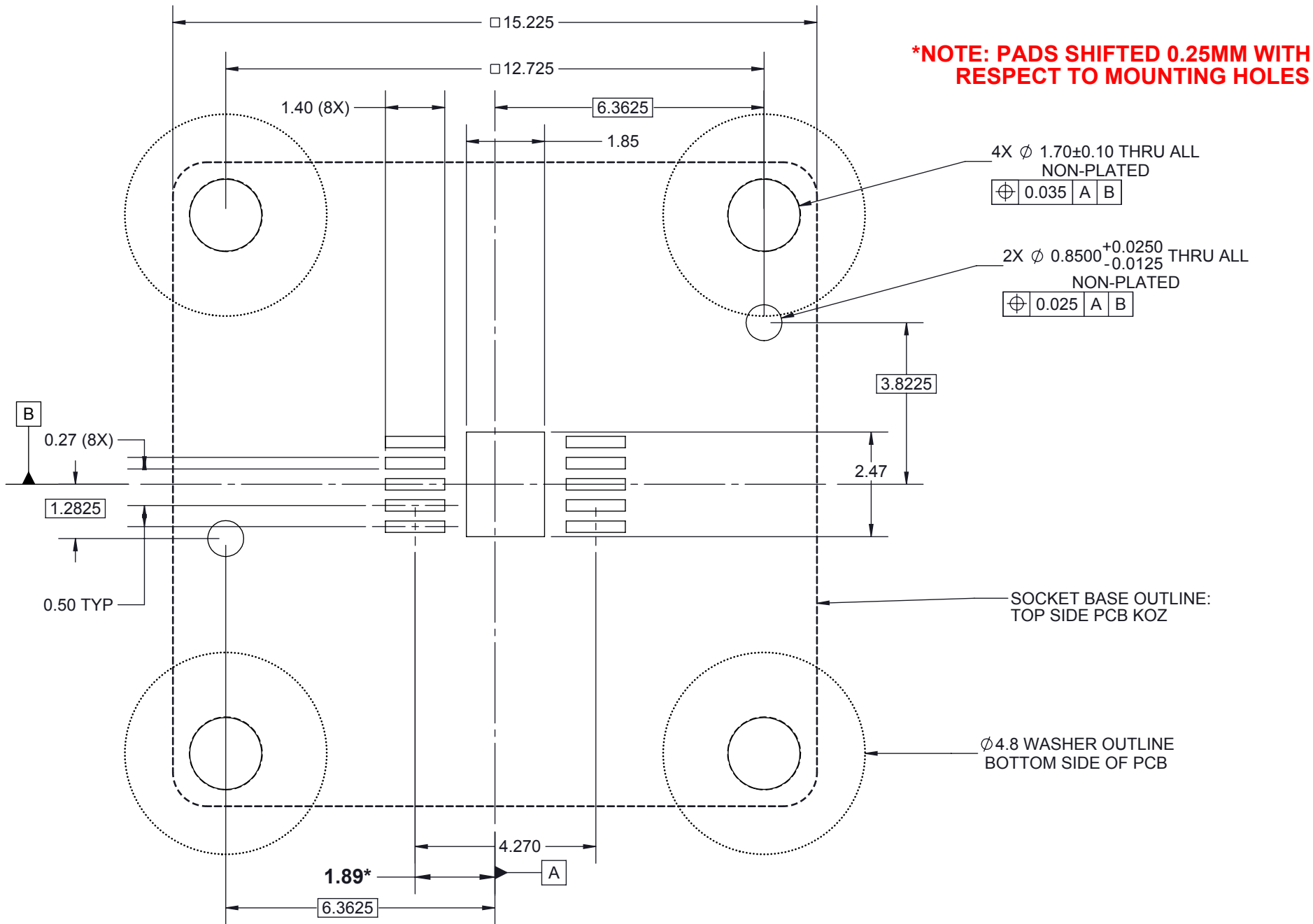


Description: SG-SO10 3mm Body 4.9mm T2T

Primary dimension units are millimeters, Secondary dimension units are [inches], Weight is in grams.

Tolerances: Hole diameters $\pm 0.0254\text{mm}$ [$\pm 0.001"$], Pitches (from true position) $\pm 0.0762\text{mm}$ [$\pm 0.003"$], substrate thickness tolerance $\pm 10\%$, all other tolerances $\pm 0.127\text{mm}$ [$\pm 0.005"$] unless stated otherwise. Materials and specifications are subject to change without notice.

 <p>SG-SOIC-3005 Drawing Ironwood Electronics, Inc. Tele: (800) 404-0204 www.ironwoodelectronics.com</p>	<p>Material: N/A Finish: N/A Weight: 6.47</p>	STATUS: Released	SHEET: 1 OF 4	REV. B
		ENG: B. Schatz	DRAWN BY: M. Raske	SCALE: 4:1
		FILE: SG-SOIC-3005 Dwg	DATE: 7/17/14	



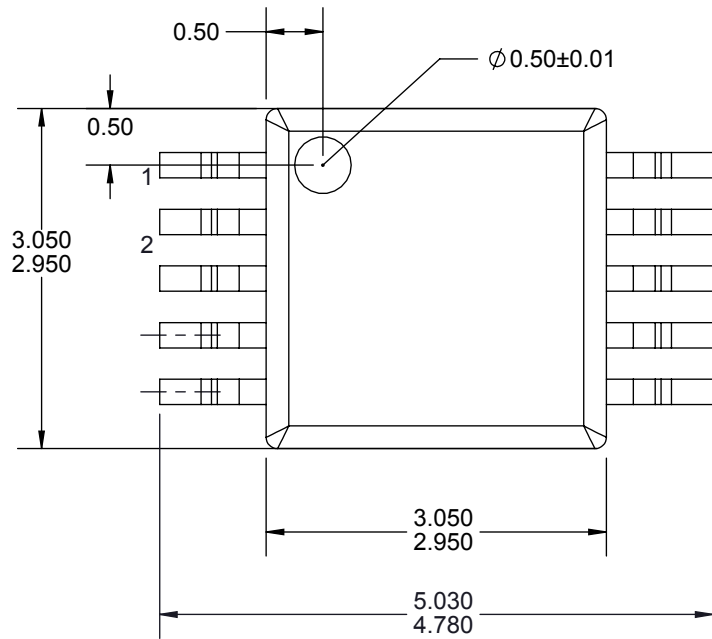
Description: Recommended PCB Layout

Primary dimension units are millimeters, Secondary dimension units are [inches], Weight is in grams.

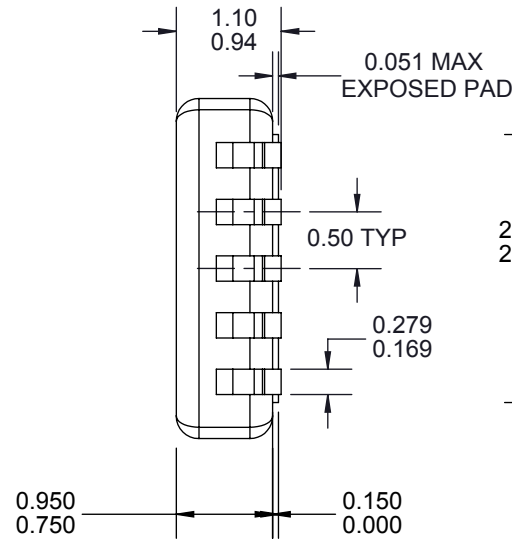
Tolerances: Hole diameters \pm 0.03mm [\pm 0.001"], Pitches (from true position) \pm 0.025mm [\pm 0.001"], substrate thickness tolerance \pm 10%, all other tolerances \pm 0.13mm [\pm 0.005"] unless stated otherwise. Materials and specifications are subject to change without notice.

 SG-SOIC-3005 Drawing Ironwood Electronics, Inc. Tele: (800) 404-0204 www.ironwoodelectronics.com	Material: N/A Finish: N/A Weight: 6.47	STATUS: Released ENG: B. Schatz FILE: SG-SOIC-3005 Dwg	SHEET: 2 OF 4 DRAWN BY: M. Raske DATE: 7/17/14	REV. B SCALE: 8:1

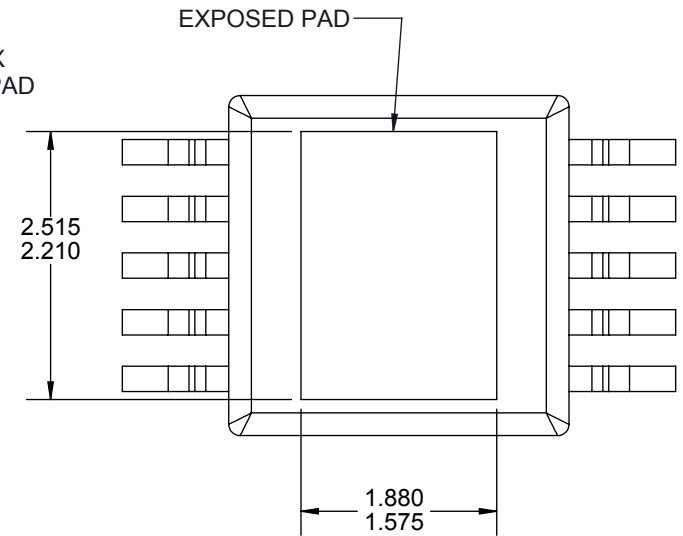
TOP VIEW



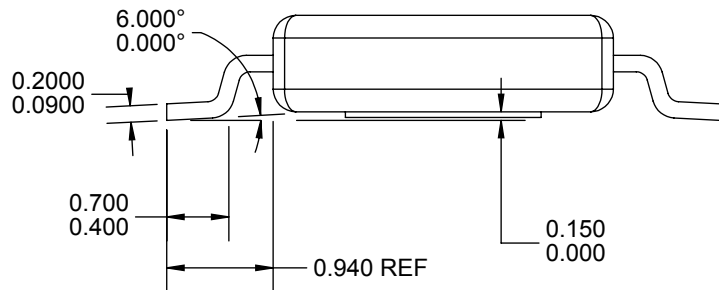
SIDE VIEW



BOTTOM VIEW



FRONT VIEW



Ironwood Package Code: SO10C


Dimensions are in millimeters.

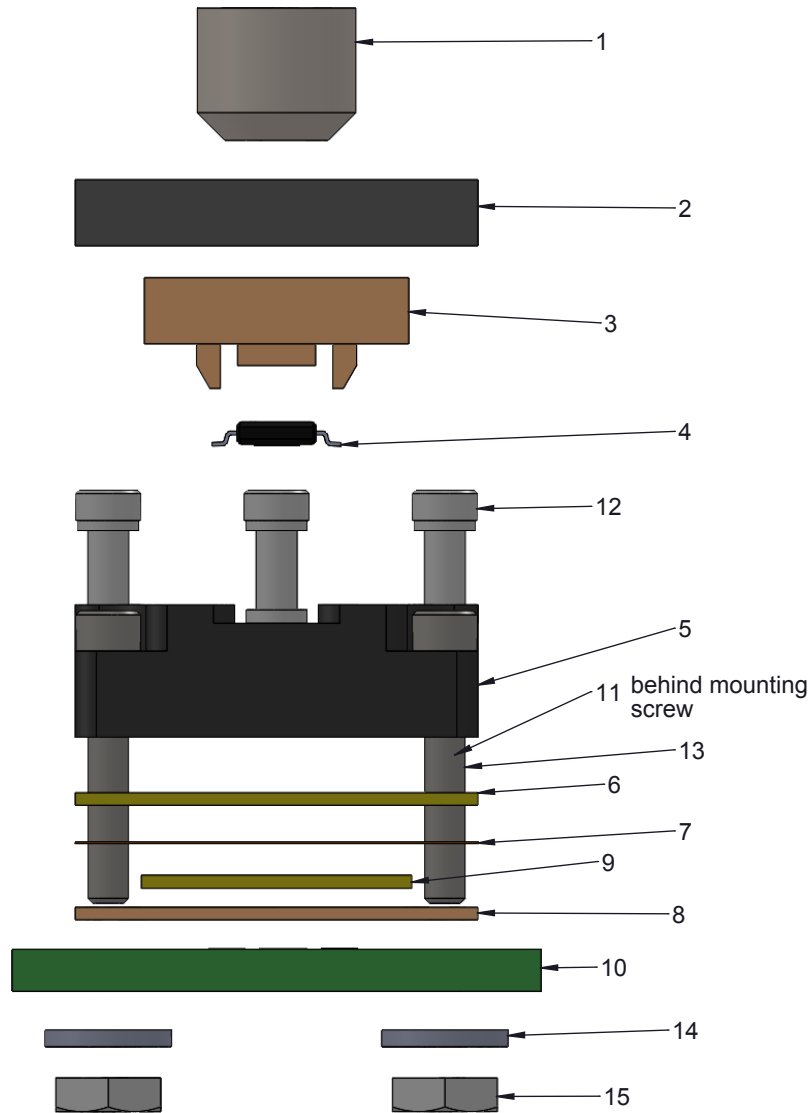
1. Interpret dimensions and tolerances per ASME Y14.5M-1994.

Description: Compatible Device

Primary dimension units are millimeters, Secondary dimension units are [inches], Weight is in grams.

Tolerances: Hole diameters $\pm 0.03\text{mm}$ [$\pm 0.001^\circ$], Pitches (from true position) $\pm 0.025\text{mm}$ [$\pm 0.001^\circ$], substrate thickness tolerance $\pm 10\%$, all other tolerances $\pm 0.13\text{mm}$ [$\pm 0.005^\circ$] unless stated otherwise. Materials and specifications are subject to change without notice.

 <p>SG-SOIC-3005 Drawing Ironwood Electronics, Inc. Tele: (800) 404-0204 www.ironwoodelectronics.com</p>	<p>Material: N/A Finish: N/A Weight: 6.47</p>	STATUS: Released	SHEET: 3 OF 4	REV. B
		ENG: B. Schatz	DRAWN BY: M. Raske	SCALE: 15:1
		FILE: SG-SOIC-3005 Dwg	DATE: 7/17/14	




ITEM NO.	Description	Material
1	Compression Screw M6x1	Stainless Steel (18-8)
2	Socket Lid	7075-T6 Aluminum Alloy
3	Compression Plate SO10 3mm body 4.905mm T2T	Ultem 1000
4	CFE SO10	Material <not specified>
5	Socket Base	7075-T6 Aluminum Alloy
6	IC guide SO10 3mm body	Torlon 4203
7	Lead guide SO10 4.9 T2T	Kapton Polyimide/Cirlex
8	Elastomer Guide 10x10mm	Ultem
9	0.5mm thick, 0.05x 0.05mm pitch, 10mm sq, Z-axis conductive angled elastomer	20 Micron dia gold plated brass filaments arranged symetrically in a silicon rubber (63.5 degree angle), Thickness: 0.5mm
10	Test PCB SO10 3mm Body 4.9mm T2T	FR4 High temp
11	Dowel Pin, 1/32" x 3/16", SS	Chrome Stainless Steel
12	#0-80 Shoulder Screw, 0.062" thread length	Stainless Steel (303)
13	#0-80 X .375 LG, SOC HD CAP SCREW, ALLOY STL, BLK OXIDE	Alloy Steel
14	Washer, #0 x .025", Nylon	Nylon 6/6
15	Nut, #0-80, SS	Stainless Steel (18-8)

Rev	Date	Initials	Description
A	2/14/14	BJS	Original
B	7/17/14	DH	IC guide changed from ultem to torlon

Description: Socket, Backing Plate Detail

Primary dimension units are millimeters, Secondary dimension units are [inches], Weight is in grams.

Tolerances: Hole diameters $\pm 0.03\text{mm}$ [$\pm 0.001"$], Pitches (from true position) $\pm 0.025\text{mm}$ [$\pm 0.001"$], substrate thickness tolerance $\pm 10\%$, all other tolerances $\pm 0.13\text{mm}$ [$\pm 0.005"$] unless stated otherwise. Materials and specifications are subject to change without notice.

 SG-SOIC-3005 Drawing Ironwood Electronics, Inc. Tele: (800) 404-0204 www.ironwoodelectronics.com	Material: N/A Finish: N/A Weight: 6.47	STATUS: Released	SHEET: 4 OF 4	REV. B
		ENG: B. Schatz	DRAWN BY: M. Raske	SCALE: 3.5:1
		FILE: SG-SOIC-3005 Dwg	DATE: 7/17/14	