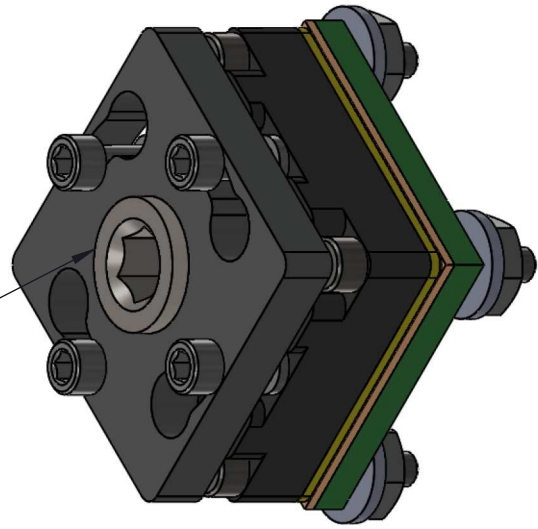


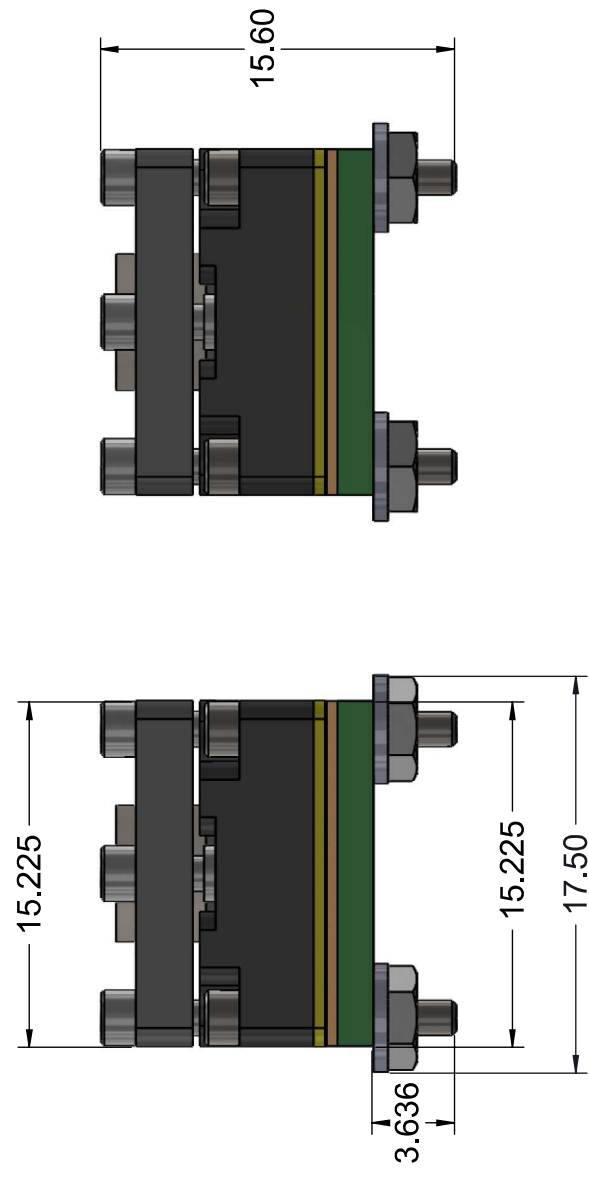
SG-SOIC DIRECT MOUNT, SOLDERLESS SOCKET FOR TEST APPLICATIONS

Required Torque: 0.38 in-lb
Recommended Tool: TL-Torquedriver-09



Features

- Directly mounts to target PCB (needs tooling holes) with hardware
- High speed, reliable Elastomer connection
- Minimum real estate required
- Compression plate distributes forces evenly
- Ball guide prevents over compression of elastomer
- Easily removable swivel socket lid



Description: SG-SOIC socket for SO8A package

Primary dimension units are millimeters. Secondary dimension units are [inches]. Weight is in grams.
Tolerances: Hole diameters $\pm 0.03\text{mm}$ [$\pm 0.001"$], Pitches (from true position) $\pm 0.025\text{mm}$ [$\pm 0.001"$], substrate thickness tolerance $\pm 10\%$, all other tolerances $\pm 0.13\text{mm}$ [$\pm 0.005"$] unless stated otherwise. Materials and specifications are subject to change without notice.

SG-SOIC-3007 Drawing
©2018 Ironwood Electronics, Inc.
Tele: (800) 404-0204
www.ironwoodelectronics.com

Material: N/A
Finish: N/A
Weight: 6.00

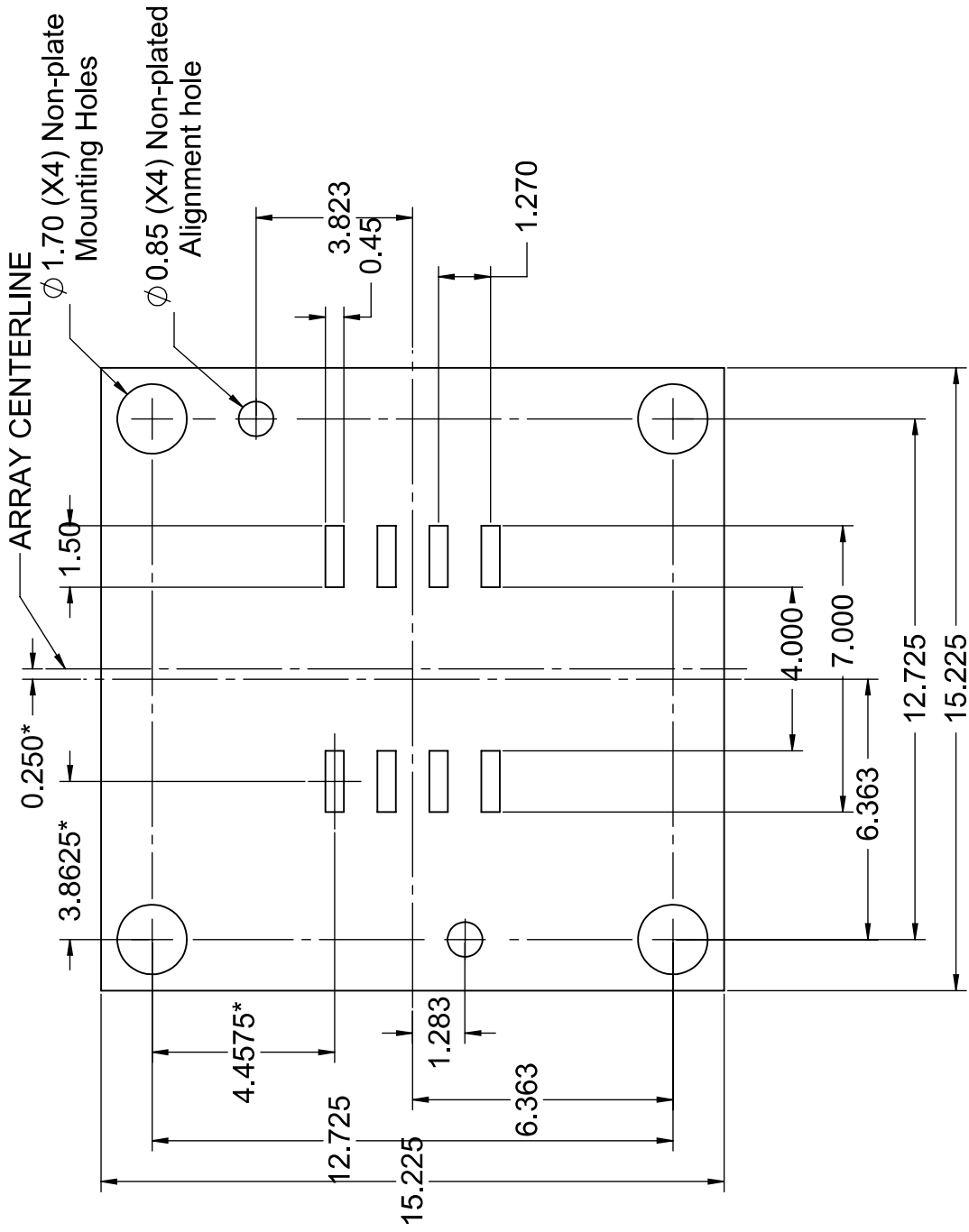
STATUS: Released
ENG: J. Vavra
FILE: SG-SOIC-3007 Dwg

SHEET: 1 OF 5
DRAWN BY: M. Raske
DATE: 3/22/2018

REV. B
SCALE: 3:1



*** Note - SOIC land pattern is shifted 0.25mm right of center with respect to the mounting hole pattern.**



Target PCB Recommendations
Total thickness: 1.5mm min.
Plating: Gold or Solder finish

Description: Recommended PCB layout

Primary dimension units are millimeters. Secondary dimension units are [inches]. Weight is in grams.
 Tolerances: Hole diameters $\pm 0.0254\text{mm}$ [$\pm 0.001"$], Pitches (from true position) $\pm 0.0762\text{mm}$ [$\pm 0.003"$], substrate thickness tolerance $\pm 10\%$, all other tolerances $\pm 0.127\text{mm}$ [$\pm 0.005"$] unless stated otherwise. Materials and specifications are subject to change without notice.

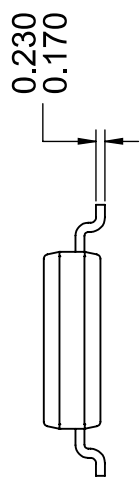
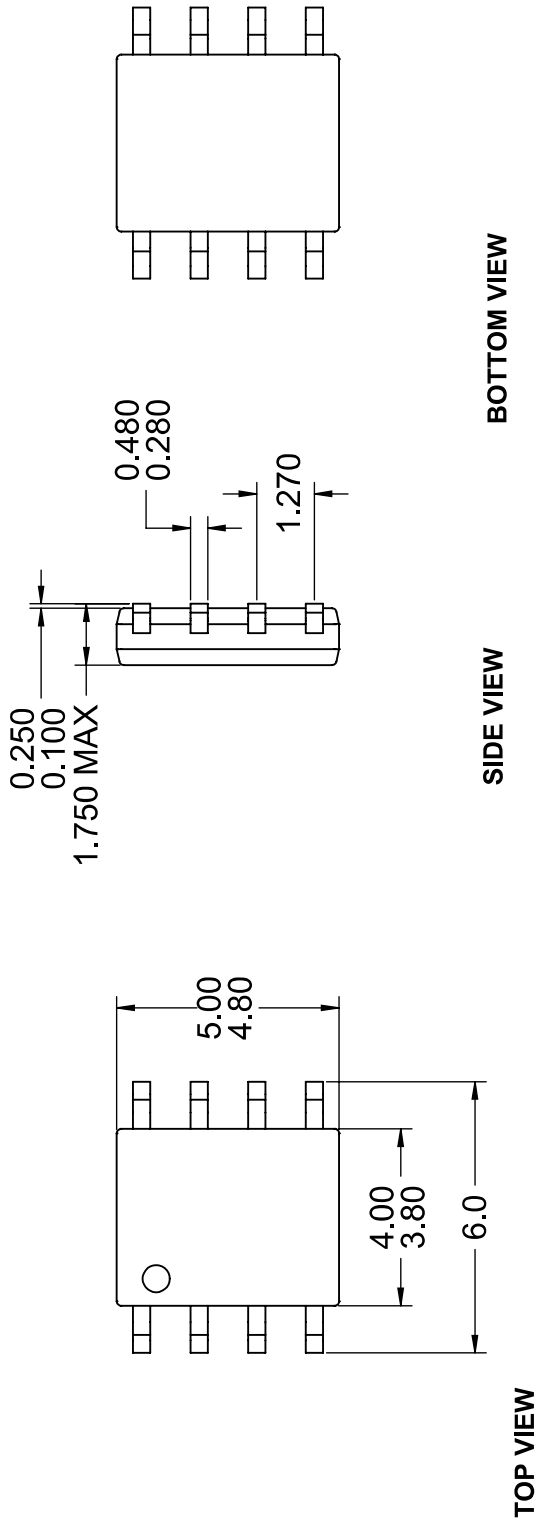
SG-SOIC-3007 Drawing
 ©2018 Ironwood Electronics, Inc.
 Tele: (800) 404-0204
 www.ironwoodelectronics.com



STATUS: Released
 ENG: J. Vavra
 FILE: SG-SOIC-3007 Dwg

SHEET: 2 OF 5
 DRAWN BY: M. Raske
 DATE: 3/22/2018

REV. B
 SCALE: 6:1



Ironwood Package Code: SO8A

Description: Compatible IC

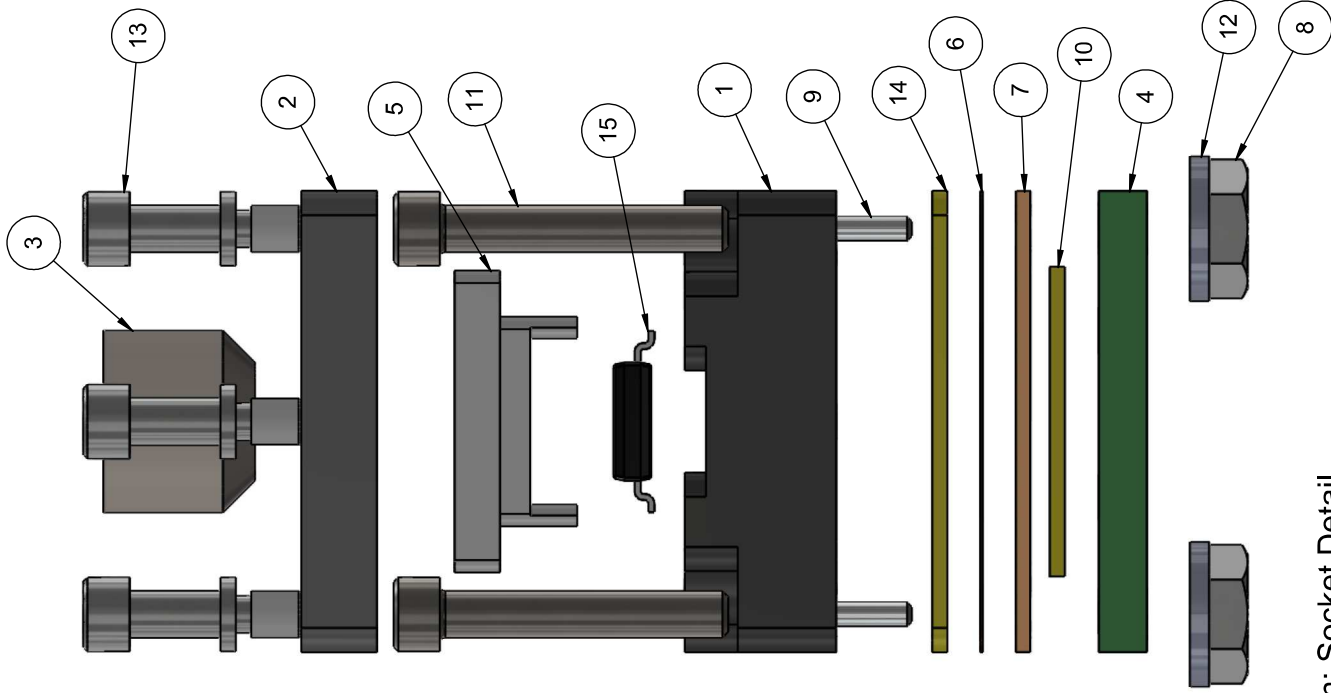
Primary dimension units are millimeters. Secondary dimension units are [inches]. Weight is in grams.
 Tolerances: Hole diameters $\pm 0.0254\text{mm}$ [$\pm 0.001"$], Pitches (from true position) $\pm 0.0762\text{mm}$ [$\pm 0.003"$], substrate thickness tolerance $\pm 10\%$, all other tolerances $\pm 0.127\text{mm}$ [$\pm 0.005"$] unless stated otherwise. Materials and specifications are subject to change without notice.

SG-SOIC-3007 Drawing

©2018 Ironwood Electronics, Inc.
 Tele: (800) 404-0204
www.ironwoodelectronics.com

Material: N/A	STATUS: Released	SHEET: 3 OF 5	REV. B
Finish: N/A	ENG: J. Vavra	DRAWN BY: M. Raske	SCALE: 6:1
Weight: 6.00	FILE: SG-SOIC-3007 Dwg	DATE: 3/22/2018	





ITEM NO.	DESCRIPTION	Material
1	Socket Base	7075-T6 Aluminum Alloy
2	Socket Lid	7075-T6 Aluminum Alloy
3	Compression Screw M6x1	Stainless Steel (18-8)
4	Test PCB for SO8A	FR4 Standard
5	Compression Plate for SO8A	PEEK Ceramic filled
6	Lead Guide for SO8A	Kapton Polyimide/Cirlex
7	Elastomer Guide 10x10mm	Ultem
8	Nut, #0-80, SS	Stainless Steel (18-8)
9	Dowel Pin, 1/32" x 3/16", SS	Chrome Stainless Steel
10	0.5mm thick, 0.05x0.05mm pitch, 10mm sq, Z-axis conductive angled elastomer	20 Micron dia gold plated brass filaments arranged symmetrically in a silicon rubber (63.5 degree angle), Thickness: 0.5mm
11	#0-80 X .375 LG, SOC HD CAP SCREW, ALLOY STL, BLK OXIDE	Alloy Steel
12	Washer, #0 x .025", Nylon	Nylon 6/6
13	#0-80 Shoulder Screw, 1.59mm thread length	Stainless Steel (303)
14	IC Guide For SO8A	Torlon 4203
15	8-Pin PLASTIC SMALL-OUTLINE PACKAGE 4.9x3.9 mm Nominal Footprint	Material <not specified>

Description: Socket Detail

Primary dimension units are millimeters. Secondary dimension units are [inches]. Weight is in grams.
 Tolerances: Hole diameters $\pm 0.0254\text{mm}$ [$\pm 0.001"$], Pitches (from true position) $\pm 0.0762\text{mm}$ [$\pm 0.003"$], substrate thickness tolerance $\pm 10\%$, all other tolerances $\pm 0.127\text{mm}$ [$\pm 0.005"$] unless stated otherwise. Materials and specifications are subject to change without notice.

SG-SOIC-3007 Drawing

©2018 Ironwood Electronics, Inc.
 Tele: (800) 404-0204
www.ironwoodelectronics.com

Material: N/A
 Finish: N/A
 Weight: 6.00

STATUS: Released

ENG: J. Vavra

FILE: SG-SOIC-3007 Dwg

SHEET: 4 OF 5

DRAWN BY: M. Raske

DATE: 3/22/2018

REV. B

SCALE: 3:1

Rev	Date	Initials	Description
B	9/13/19	MR	updated dowel pin stick out to 6.5 per redline

CONFIDENTIAL

Description: Sheet1

Primary dimension units are millimeters. Secondary dimension units are [inches]. Weight is in grams.
 Tolerances: Hole diameters $\pm 0.0254\text{mm}$ [$\pm 0.001"$], Pitches (from true position) $\pm 0.0762\text{mm}$ [$\pm 0.003"$], substrate thickness tolerance $\pm 10\%$, all other tolerances $\pm 0.127\text{mm}$ [$\pm 0.005"$] unless stated otherwise. Materials and specifications are subject to change without notice.

		SG-SOIC-3007 Drawing		Material:		STATUS: Released		SHEET: 5 OF 5		REV. B	
©2018 Ironwood Electronics, Inc. Tele: (800) 404-0204 www.ironwoodelectronics.com		Finish: Weight:		ENG: J. Vavra FILE: SG-SOIC-3007 Dwg		DRAWN BY: M. Raske DATE: 3/22/2018		SCALE: 3:1			