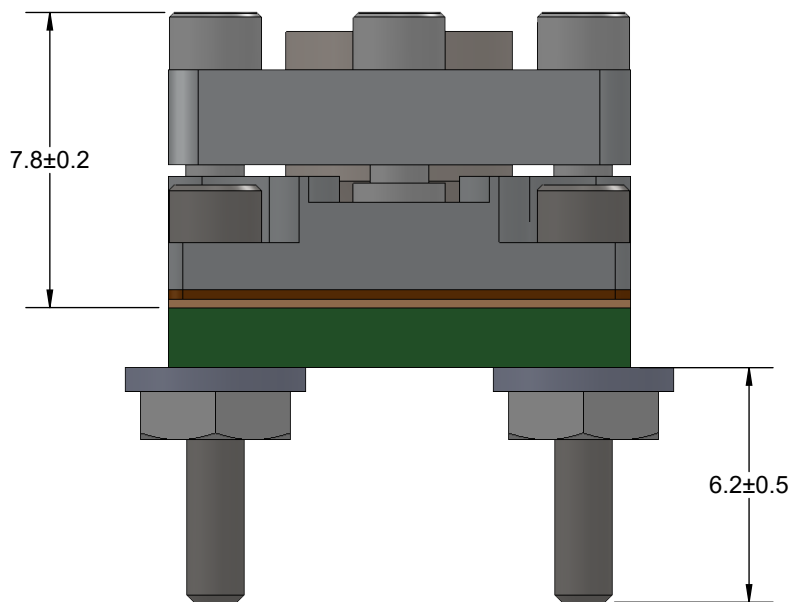
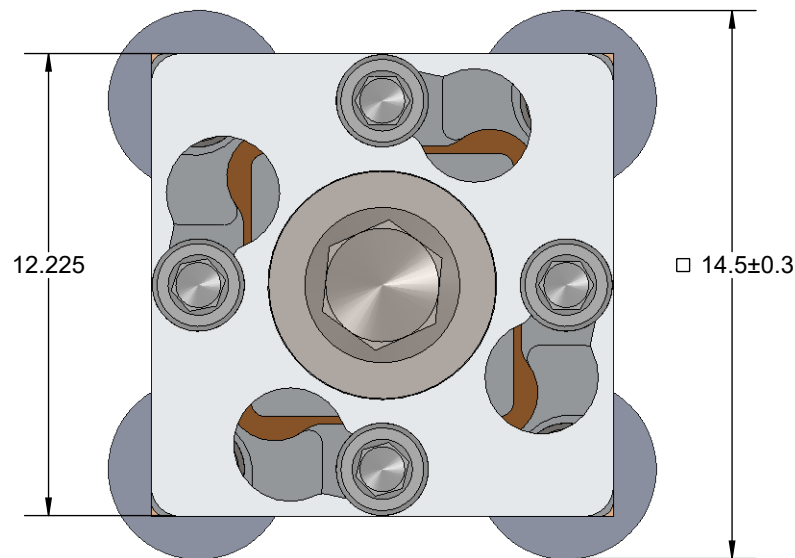


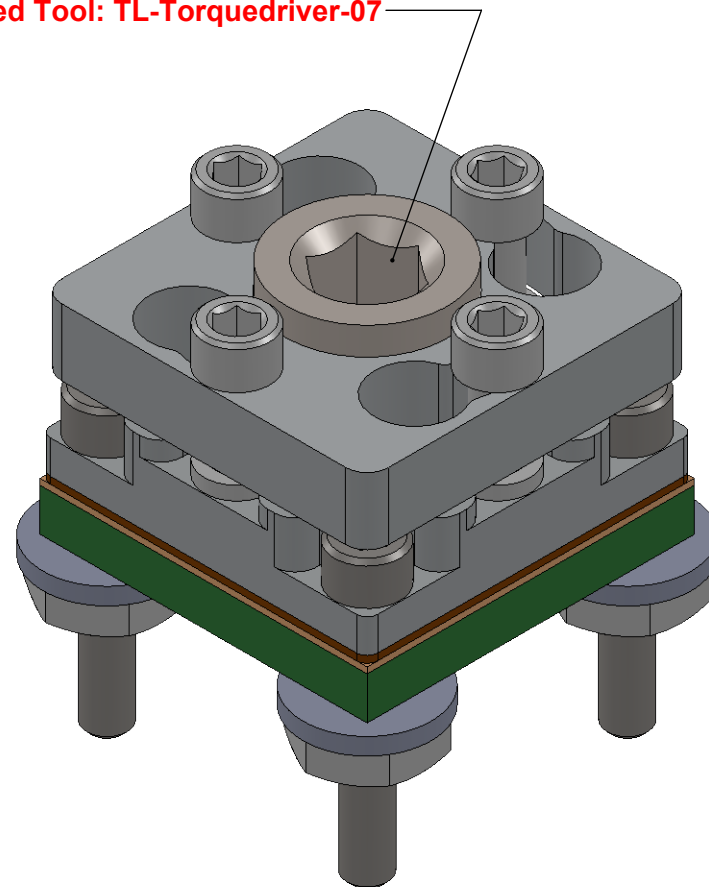
# GHz QFN Socket - Direct mount, solderless



## Features

- Directly mounts to target PCB (needs tooling holes) with hardware
- High speed, reliable Elastomer connection
- Minimum real estate required
- Compression plate distributes forces evenly
- Easily removable swivel socket lid


**Required torque = 0.7 N-cm(1 ozf-in)**  
**Recommended Tool: TL-Torquedriver-07**

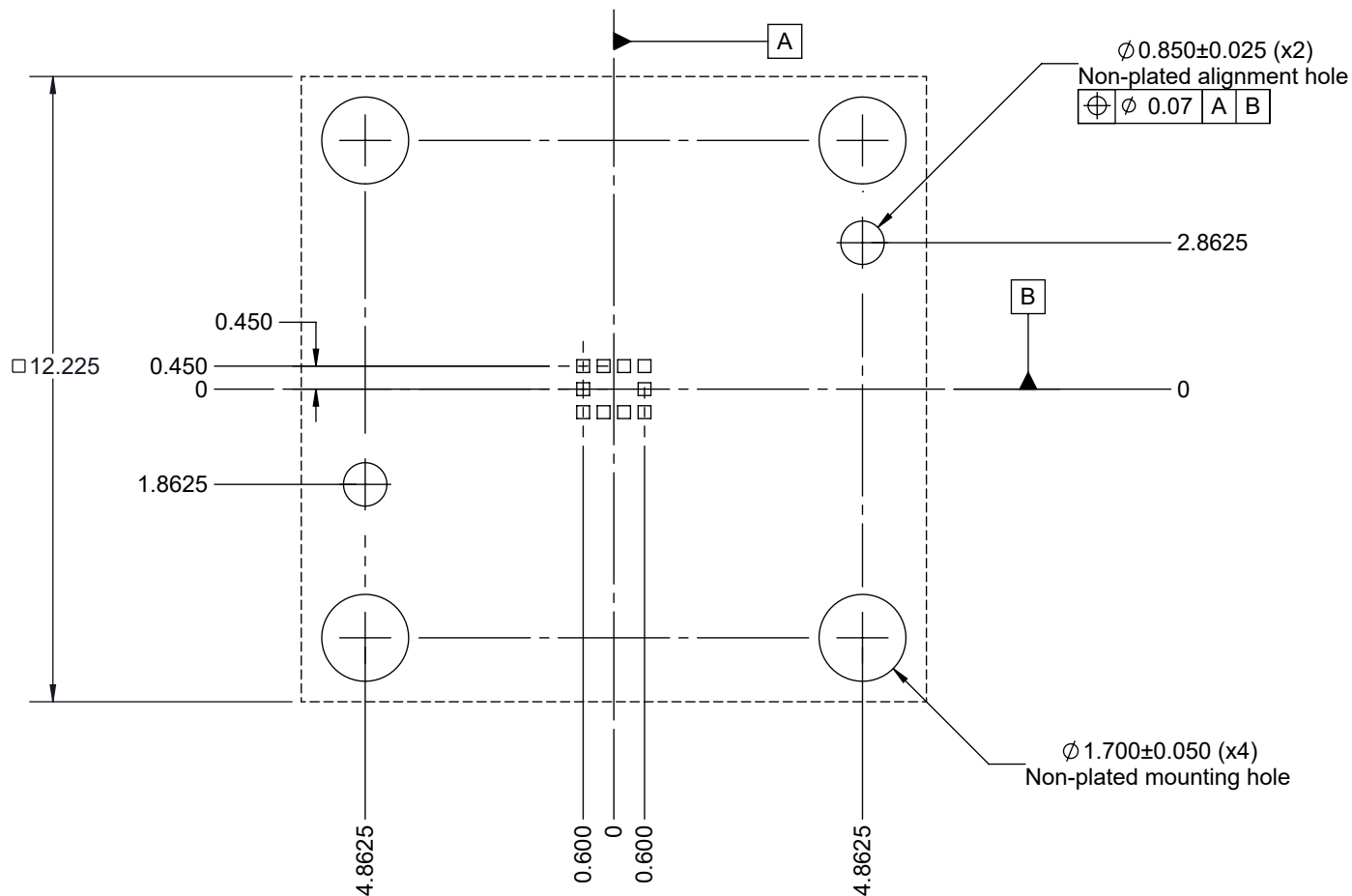


## Description: SG-MLF for 1.5x1.1mm 10 pad 0.4mm pitch

Primary dimension units are millimeters, Secondary dimension units are [inches], Weight is in grams.

Tolerances: Hole diameters ±0.0254mm [±0.001"]. Pitches (from true position) ±0.0762mm [±0.003"], substrate thickness tolerance ±10%, all other tolerances ±0.127mm [±0.005"] unless stated otherwise. Materials and specifications are subject to change without notice.

 <p><b>SG25-QFN-2003 Drawing</b>                  Ironwood Electronics, Inc.                  Tele: (800) 404-0204                  www.ironwoodelectronics.com</p>	Material: N/A Finish: N/A Weight: 4.29	STATUS: Released ENG: J. Vavra FILE: SG25-QFN-2003 Dwg	SHEET: 1 OF 4 DRAWN BY: M. Raske DATE: 03/22/2018	REV. A SCALE: 5:1



### Target PCB Recommendations

Total thickness: 1.6mm min.

Plating: Gold or Solder finish


PCB Pad height: Same or higher than solder mask

**NOTE: Steel backing plate may be required based on end user's application**

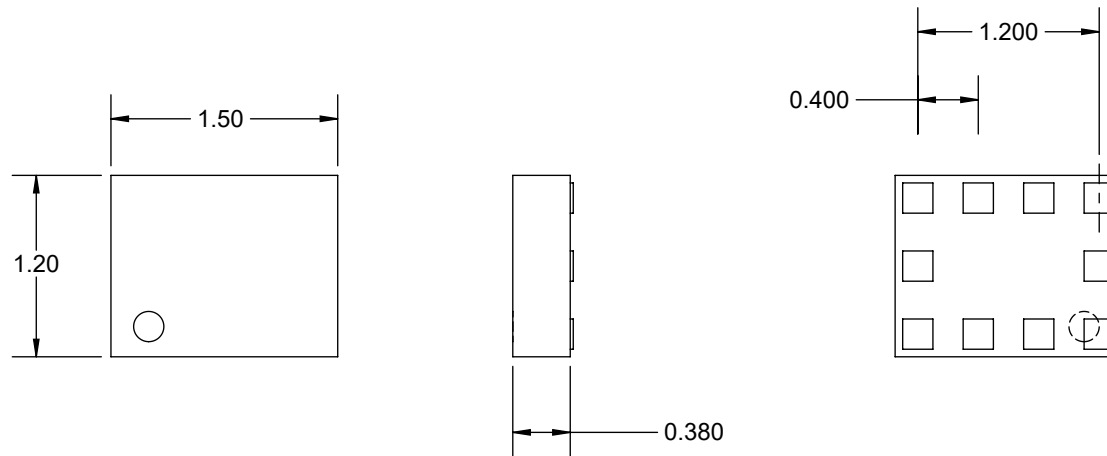
### Description: Recommended PCB Layout

Primary dimension units are millimeters, Secondary dimension units are [inches], Weight is in grams.

Tolerances: Hole diameters  $\pm 0.03\text{mm}$  [ $\pm 0.001$ "], Pitches (from true position)  $\pm 0.025\text{mm}$  [ $\pm 0.001$ "], substrate thickness tolerance  $\pm 10\%$ , all other tolerances  $\pm 0.13\text{mm}$  [ $\pm 0.005$ "] unless stated otherwise. Materials and specifications are subject to change without notice.

 Ironwood Electronics, Inc. Tele: (800) 404-0204 www.ironwoodelectronics.com	Material: N/A Finish: N/A Weight: 4.29	STATUS: Released	SHEET: 2 OF 4	REV. A
		ENG: J. Vavra	DRAWN BY: M. Raske	SCALE: 7:1
		FILE: SG25-QFN-2003 Dwg	DATE: 03/22/2018	

**IRONWOOD PACKAGE CODE: QFN10H**




Dimensions are in millimeters.

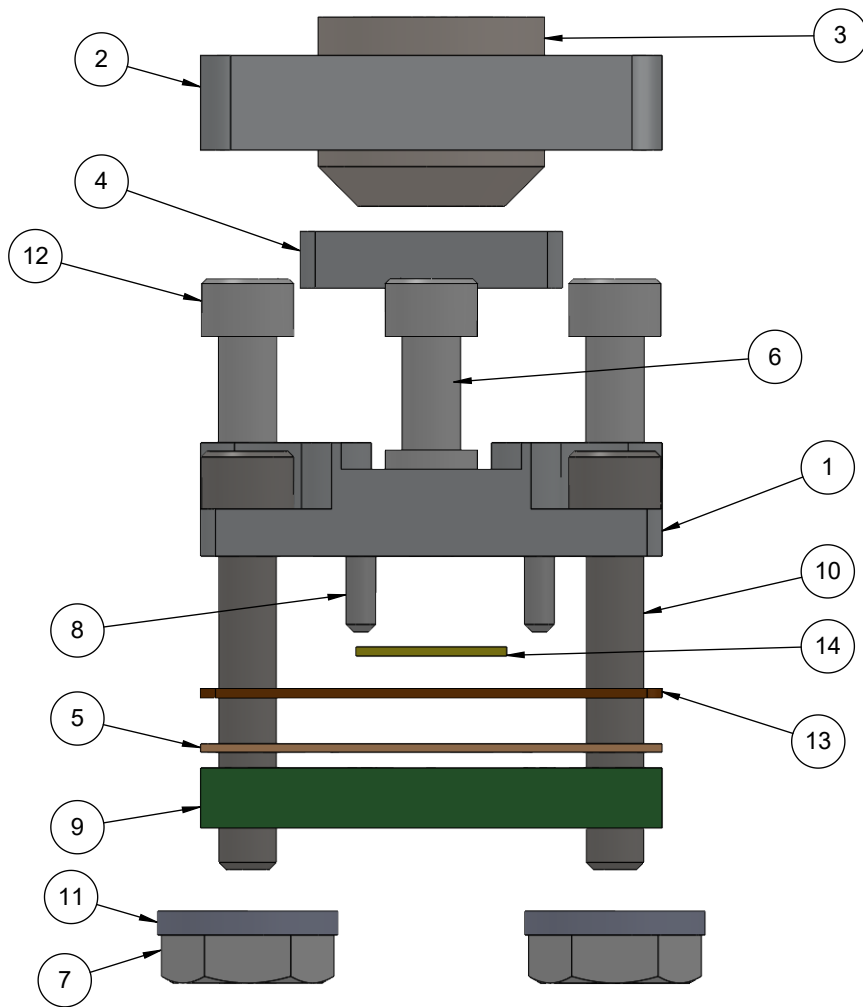
1. Interpret dimensions and tolerances per ASME Y14.5M-1994.

**Description: Compatible Device**

Primary dimension units are millimeters, Secondary dimension units are [inches], Weight is in grams.

Tolerances: Hole diameters  $\pm 0.03\text{mm}$  [ $\pm 0.001$ "], Pitches (from true position)  $\pm 0.025\text{mm}$  [ $\pm 0.001$ "], substrate thickness tolerance  $\pm 10\%$ , all other tolerances  $\pm 0.13\text{mm}$  [ $\pm 0.005$ "] unless stated otherwise. Materials and specifications are subject to change without notice.

<b>SG25-QFN-2003 Drawing</b>		Material: N/A	STATUS: Released	SHEET: 3 OF 4	REV. A
 Ironwood Electronics, Inc. Tele: (800) 404-0204 www.ironwoodelectronics.com	Finish: N/A	Weight: 4.29	ENG: J. Vavra	DRAWN BY: M. Raske	SCALE: 20:1
			FILE: SG25-QFN-2003 Dwg	DATE: 03/22/2018	




ITEM NO.	DESCRIPTION	Material
1	Socket Base 7mm	7075-T6 (SN)
2	Socket Lid 7mm	7075-T6 Aluminum Alloy
3	Compression Screw M6x1	Stainless Steel (18-8)
4	Compression Plate 7mm IC, 1.5mm thick	7075-T6 (SN)
5	ELSTOMER GUIDE SG25, 4MM	Ultem
6	TCHIP QFN10G 0.4mm pitch	Material <not specified>
7	Nut, #0-80, SS	Stainless Steel (18-8)
8	Alignment Pin 1/32" dia. x 1/8" lng	Chrome Stainless Steel
9	TPCB QFN10G 0.4mm pitch	Material <not specified>
10	#0-80 X .375 LG, SOC HD CAP SCREW, ALLOY STL, BLK OXIDE	Alloy Steel
11	Washer, #0 x .025", Nylon	Nylon 6/6
12	#0-80 Shoulder Screw, 1.59mm thread length	Stainless Steel (303)
13	IC Guide for QFN10G 0.4mm pitch	Kapton Polyimide/Cirlex
14	0.25mm thick, 0.05x 0.05mm pitch elastomer	20 Micron dia gold plated brass filaments arranged symetrically in a silicon rubber (63.5 degree angle), Thickness: 0.25mm

### Description: Socket.

Primary dimension units are millimeters, Secondary dimension units are [inches], Weight is in grams.

Tolerances: Hole diameters  $\pm 0.03\text{mm}$  [ $\pm 0.001"$ ], Pitches (from true position)  $\pm 0.025\text{mm}$  [ $\pm 0.001"$ ], substrate thickness tolerance  $\pm 10\%$ , all other tolerances  $\pm 0.13\text{mm}$  [ $\pm 0.005"$ ] unless stated otherwise. Materials and specifications are subject to change without notice.

 <b>SG25-QFN-2003 Drawing</b> Ironwood Electronics, Inc. Tele: (800) 404-0204 www.ironwoodelectronics.com	Material: N/A Finish: N/A Weight: 4.29	STATUS: Released	SHEET: 4 OF 4	REV. A
		ENG: J. Vavra	DRAWN BY: M. Raske	SCALE: 5:1
		FILE: SG25-QFN-2003 Dwg	DATE: 03/22/2018	