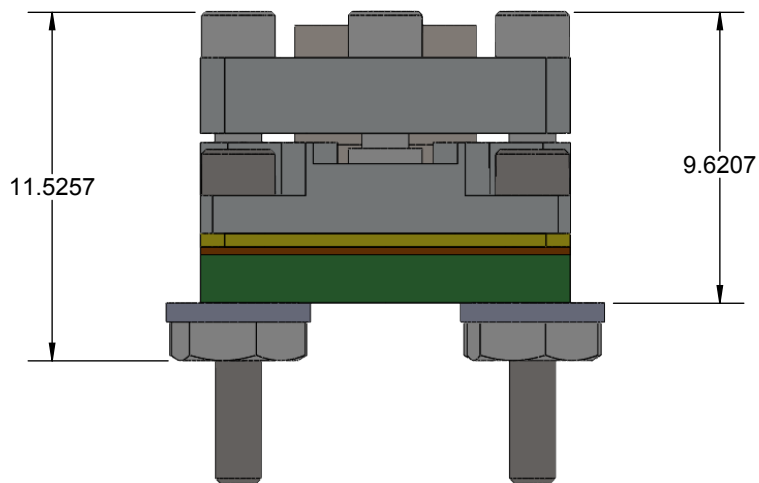
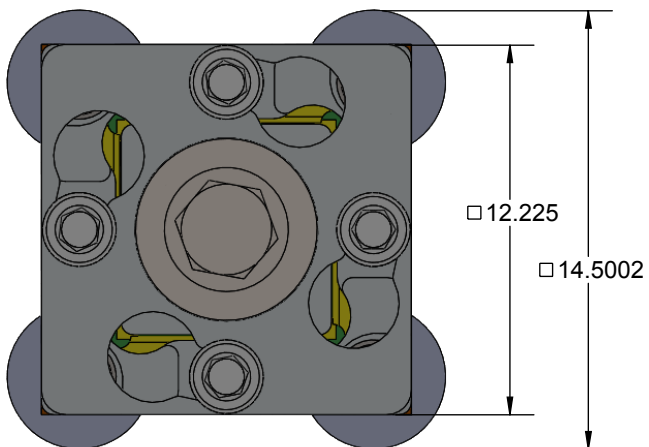


GHz BGA Socket - Direct mount, solderless

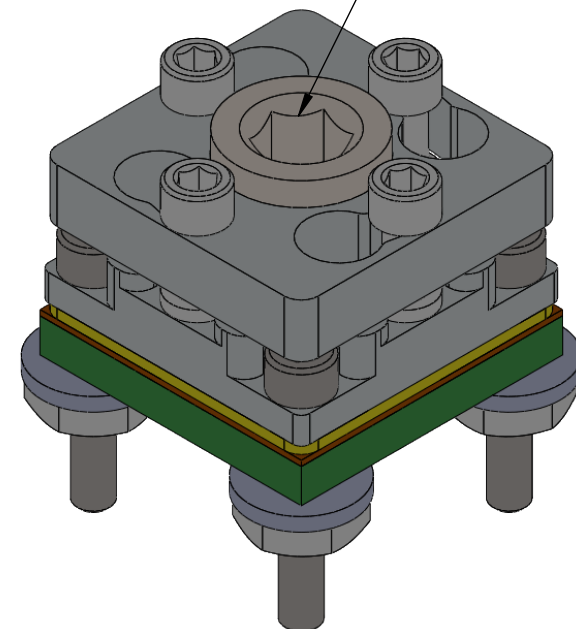
Features

- Directly mounts to target PCB (needs tooling holes) with hardware
- High speed, reliable Elastomer connection
- Minimum real estate required
- Compression plate distributes forces evenly
- Ball guide prevents over compression of elastomer
- Easily removable swivel socket lid



REQUIRED TORQUE: 15.25 Ncm (1.35 lbf in)


RECOMMENDED TOOL: TL-TORQUEDRIVER-09



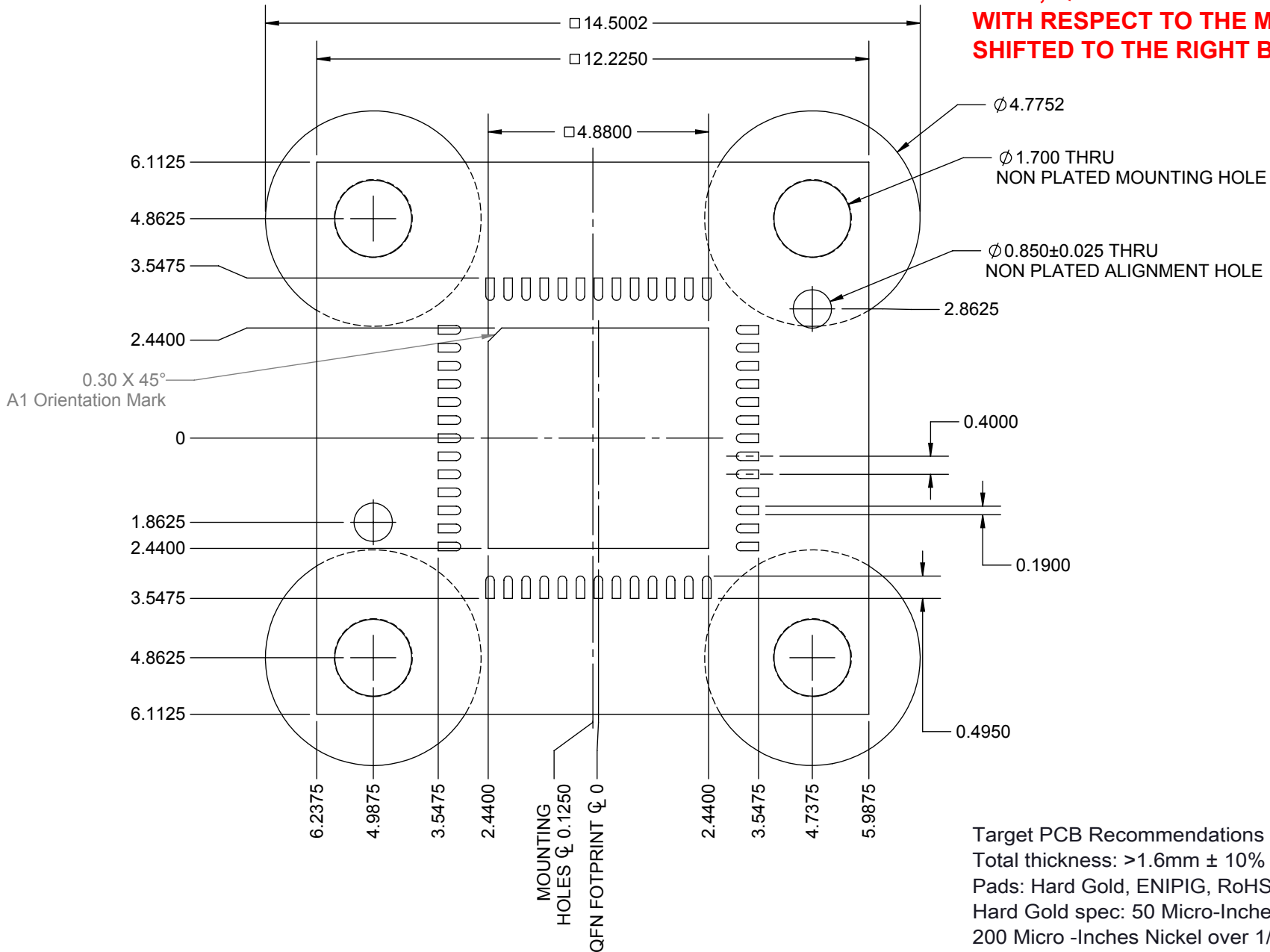
Description: GHz Socket for 7x7mm QFN

Primary dimension units are millimeters, Secondary dimension units are [inches], Weight is in grams.

Tolerances: Hole diameters $\pm 0.0254\text{mm}$ [$\pm 0.001"$]. Pitches (from true position) $\pm 0.0762\text{mm}$ [$\pm 0.003"$], substrate thickness tolerance $\pm 10\%$, all other tolerances $\pm 0.127\text{mm}$ [$\pm 0.005"$] unless stated otherwise. Materials and specifications are subject to change without notice.

 <p>©2017 Ironwood Electronics, Inc. Tele: (800) 404-0204 www.ironwoodelectronics.com</p>	<p>SG25-QFN-2008 Drawing</p>	<p>Material: N/A Finish: N/A Weight: 4.24</p>	<p>STATUS: Quality Approval Pending</p>	<p>SHEET: 1 OF 4</p>	<p>REV. A</p>
	<p>ENG: M. Newby</p>	<p>DRAWN BY: M. Newby</p>	<p>SCALE: 4:1</p>	<p>FILE: SG25-QFN-2008</p>	<p>DATE: 7/21/2017</p>


NOTE; QFN FOOTPRINT IS NOT SYMMETRICAL WITH RESPECT TO THE MOUNTING HOLES. IT IS SHIFTED TO THE RIGHT BY 0.125MM



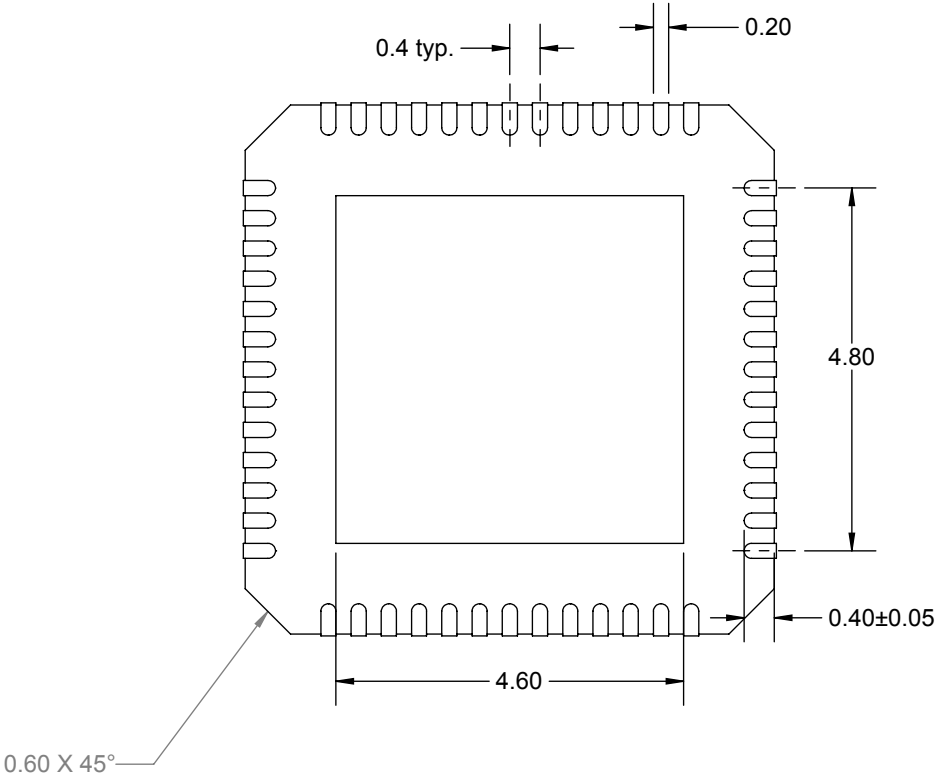
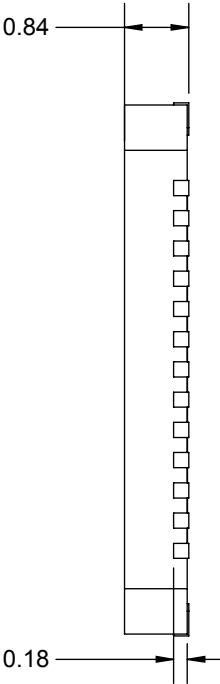
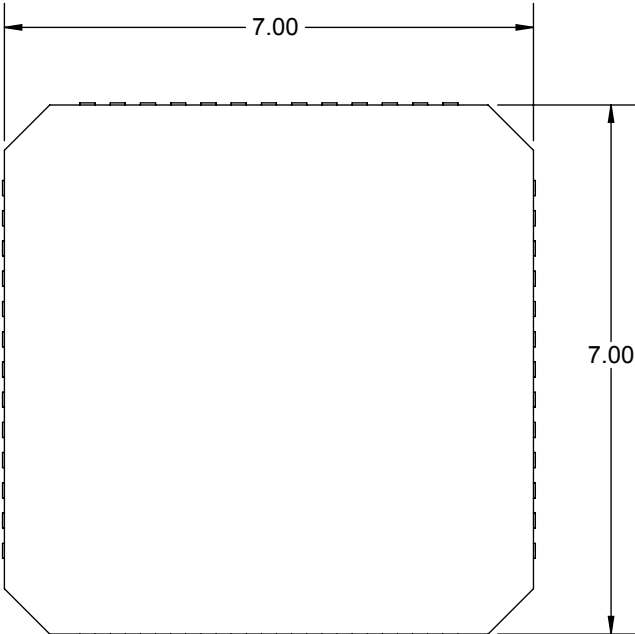
Target PCB Recommendations
 Total thickness: >1.6mm ± 10%
 Pads: Hard Gold, ENIPIG, RoHS HASL
 Hard Gold spec: 50 Micro-Inches Gold over
 200 Micro -Inches Nickel over 1/2-1 Oz copper
 PCB Pad height: No Solder mask or 0.001" mask
 thickness is acceptable.
 Copper defined solder mask and SMOBC is recommended

Description: Recommended PCB Layout

Primary dimension units are millimeters, Secondary dimension units are [inches], Weight is in grams.
 Tolerances: Hole diameters ±0.03mm [±0.001"], Pitches (from true position) ±0.025mm [±0.001"], substrate thickness tolerance ±10%, all other tolerances ±0.13mm [±0.005"] unless stated otherwise. Materials and specifications are subject to change without notice.


 <p>SG25-QFN-2008 Drawing ©2017 Ironwood Electronics, Inc. Tele: (800) 404-0204 www.ironwoodelectronics.com</p>	<p>Material: N/A Finish: N/A Weight: 4.24</p>	STATUS: Quality Approval Pending	SHEET: 2 OF 4	REV. A
		ENG: M. Newby	DRAWN BY: M. Newby	SCALE: 8:1
		FILE: SG25-QFN-2008	DATE: 7/21/2017	

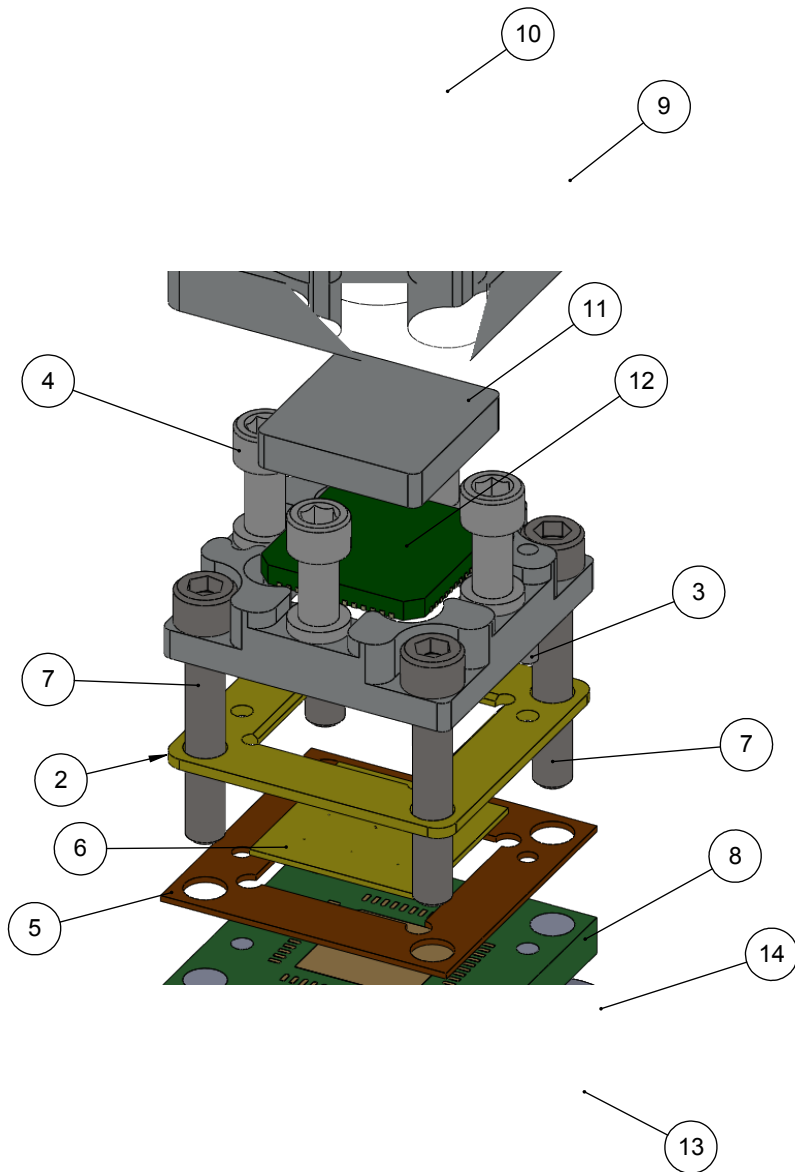
IRONWOOD PACKAGE CODE QFN48A



Description: Compatible Device

Primary dimension units are millimeters, Secondary dimension units are [inches], Weight is in grams.
 Tolerances: Hole diameters $\pm 0.03\text{mm}$ [$\pm 0.001''$], Pitches (from true position) $\pm 0.025\text{mm}$ [$\pm 0.001''$], substrate thickness tolerance $\pm 10\%$, all other tolerances $\pm 0.13\text{mm}$ [$\pm 0.005''$] unless stated otherwise. Materials and specifications are subject to change without notice.

 ©2017 Ironwood Electronics, Inc. Tele: (800) 404-0204 www.ironwoodelectronics.com	Material: N/A Finish: N/A Weight: 4.24	STATUS: Quality Approval Pending	SHEET: 3 OF 4	REV. A
		ENG: M. Newby	DRAWN BY: M. Newby	SCALE: 10:1
		FILE: SG25-QFN-2008	DATE: 7/21/2017	




ITEM NO.	DESCRIPTION	Material
1	Socket Base 7mm	7075-T6 (SN)
2	IC guide 7x7mm	Torlon 4203
3	Alignment Pin 1/32" dia. x 1/8" lng	Chrome Stainless Steel
4	#0-80 Shoulder Screw, 1.59mm thread length	Stainless Steel (303)
5	Elastomer Guide for 7mm IC 0.25mm	Kapton Polyimide/Cirlex
6	elastomer	SG Elastomer
7	#0-80 X .375 LG, SOC HD CAP SCREW, ALLOY STL, BLK OXIDE	Alloy Steel
8	Test PCB for QFN52D, 7x7mm, .4mm pitch	Material <not specified>
9	Socket Lid 7mm	7075-T6 Aluminum Alloy
10	Compression Screw M6x1	Stainless Steel (18-8)
11	Compression Plate 7mm IC, 1.5mm thick	7075-T6 (SN)
12	Test Chip for SG25-QFN-2008	FR4 Standard
13	Nut, #0-80, SS	Stainless Steel (18-8)
14	Washer, #0 x .025", Nylon	Nylon 6/6

Description: Socket assembly

Primary dimension units are millimeters, Secondary dimension units are [inches], Weight is in grams.

Tolerances: Hole diameters $\pm 0.03\text{mm}$ [$\pm 0.001"$], Pitches (from true position) $\pm 0.025\text{mm}$ [$\pm 0.001"$], substrate thickness tolerance $\pm 10\%$, all other tolerances $\pm 0.13\text{mm}$ [$\pm 0.005"$] unless stated otherwise. Materials and specifications are subject to change without notice.

 SG25-QFN-2008 Drawing ©2017 Ironwood Electronics, Inc. Tele: (800) 404-0204 www.ironwoodelectronics.com	Material: N/A Finish: N/A Weight: 4.24	STATUS: Quality Approval Pending	SHEET: 4 OF 4	REV. A
		ENG: M. Newby	DRAWN BY: M. Newby	SCALE: 3.5:1
		FILE: SG25-QFN-2008	DATE: 7/21/2017	