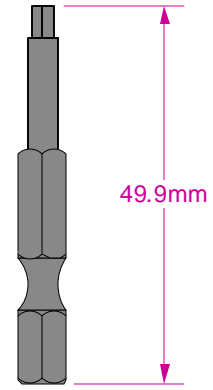
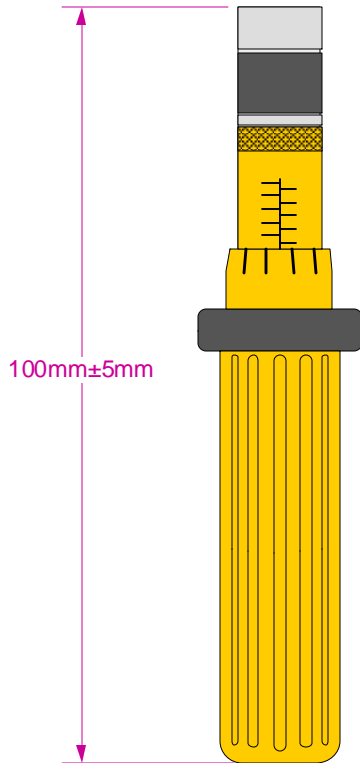
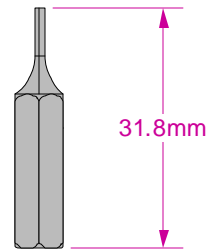


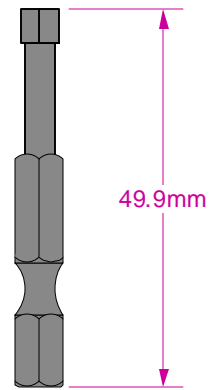
Side View



3mm Hex Bit




0.050" Hex Bit



5mm Hex Bit

Description: Tool (TL), Torquedriver

Adjustable torque driver, Torque: 6-20 in./oz. [0.375-1.25 in./lb.], 1/4" hex female shank receiver, includes 5mm, 3mm and 0.050" hex bit.

Torque Driver, Adjustable, 6-20 in-oz range	Status: Released	Scale: 2:1	Rev: C
 © 2010 IRONWOOD ELECTRONICS, INC. Tele: (952) 229-8200 www.ironwoodelectronics.com	Drawing by: H. Hansen		Date: 12/15/04
	File:TL-Torquedriver-09 Dwg		Modified: 3/19/10