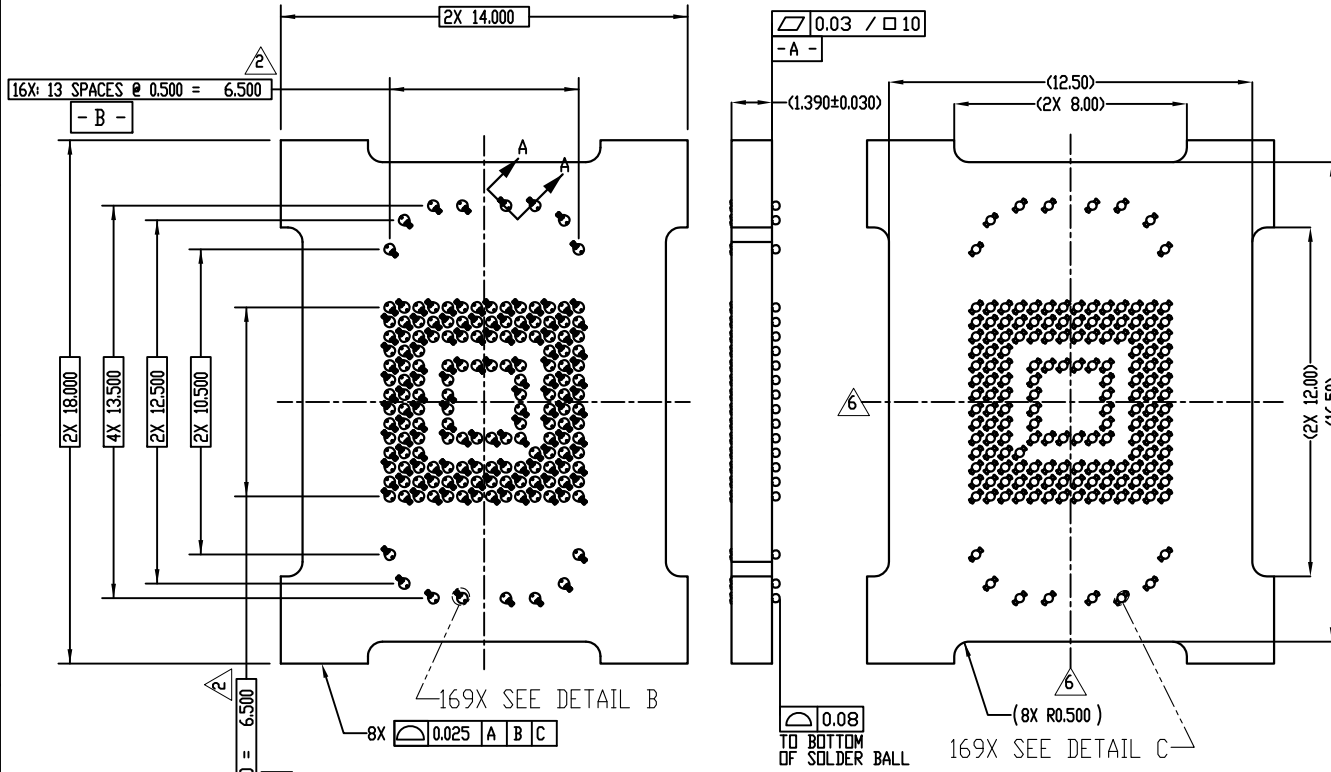
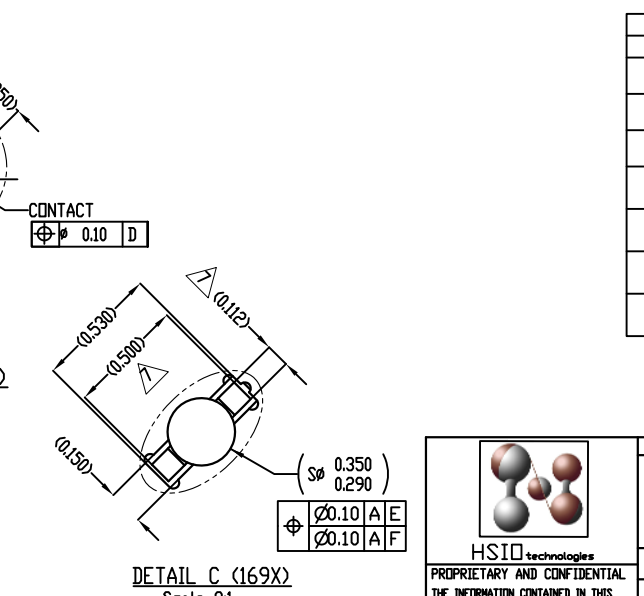
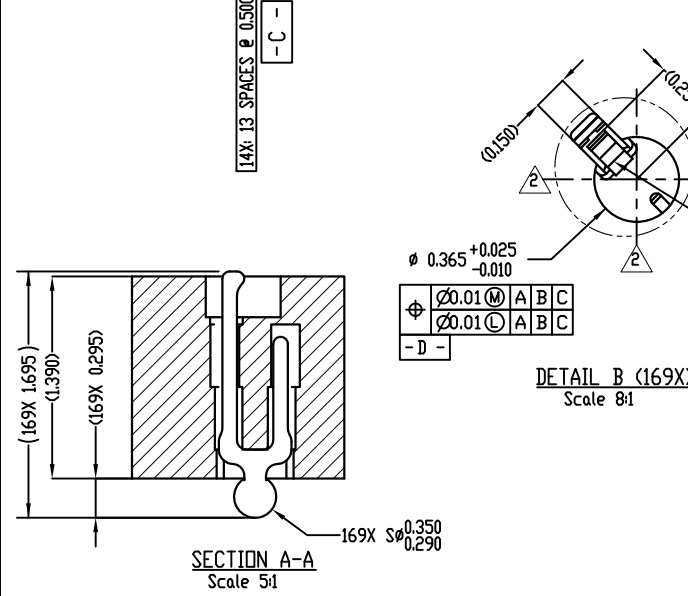


REV	ECO	BY	DESCRIPTION	APV	DATE
A	30358	CW	Initial Design	ET	05/20/10
B	31262	MP	Updated title block to HSIID	MP	02/28/13



- Notes:
- Footprint part number is 104311-0222.
 - Dimension locates center of contact/slot.
 - Press size is 14.0 X 18.0.
 - Reference HSIID Technologies spec 700001-0001 for solder attachment.
 - Reference HSIID Technologies spec 700001-0002 for application notes.
- 6 - E - Center of Ball Pattern.
 7 - F - Center of Contact.
8. Datums B and C are determined by $\phi 0.365$ openings on corner slots.



PARTS LIST			
ITEM	QTY	PART NUMBER	DESCRIPTION
-	-	107250-012	SCKT, 169G40 14X18-0.50
-	-	103864-0116	PRESS, DEV INS, 14X18 (SOLD SEPARATELY)
-	-	105900-0004	EXTRACTION TOOL, 4X53 (SOLD SEPARATELY)
-	-	104553-0175	STEN FLEX, 169G40 14X18-0.50 (SOLD SEPARATELY)
1	1	107249-0012	CS, 169G40 14X18-0.50
1.1	1	107247-0012	HSG, 169G40 14X18-0.50
1.2	169	104468-0015	CONTACT, G40, $\phi 0.30$, TIN, 0.1016

PROPRIETARY AND CONFIDENTIAL
THE INFORMATION CONTAINED IN THIS DRAWING IS THE SOLE PROPERTY OF HSIID TECHNOLOGIES, LLC. ANY REPRODUCTION IN PART OR AS A WHOLE WITHOUT THE WRITTEN PERMISSION OF HSIID TECHNOLOGIES, LLC IS PROHIBITED.

UNLESS OTHERWISE SPECIFIED

DIMENSIONS ARE IN MILLIMETERS

TOLERANCES:

ANGULAR $\pm 1^\circ$

XX ± 0.25

XXX ± 0.10

XXXX ± 0.050

INTERPRET GEOMETRIC TOLERANCING PER:

MATERIAL: SEE BOM

FINISH:

DO NOT SCALE DRAWING

NAME	DATE
E. Vymen	05/19/10
E. Turin	05/20/10

LEGEND:

- △ NOTE CALLOUT
- REVISION CHANGE
- ITEM NUMBER

HSIID TECHNOLOGIES, LLC.
13300 67th AVENUE NORTH
MAPLE GROVE, MINNESOTA 55311
763-447-6260

TITLE:
SCKT, 169G40 14X18-0.50
W/SOLDER BALLS-SAC305

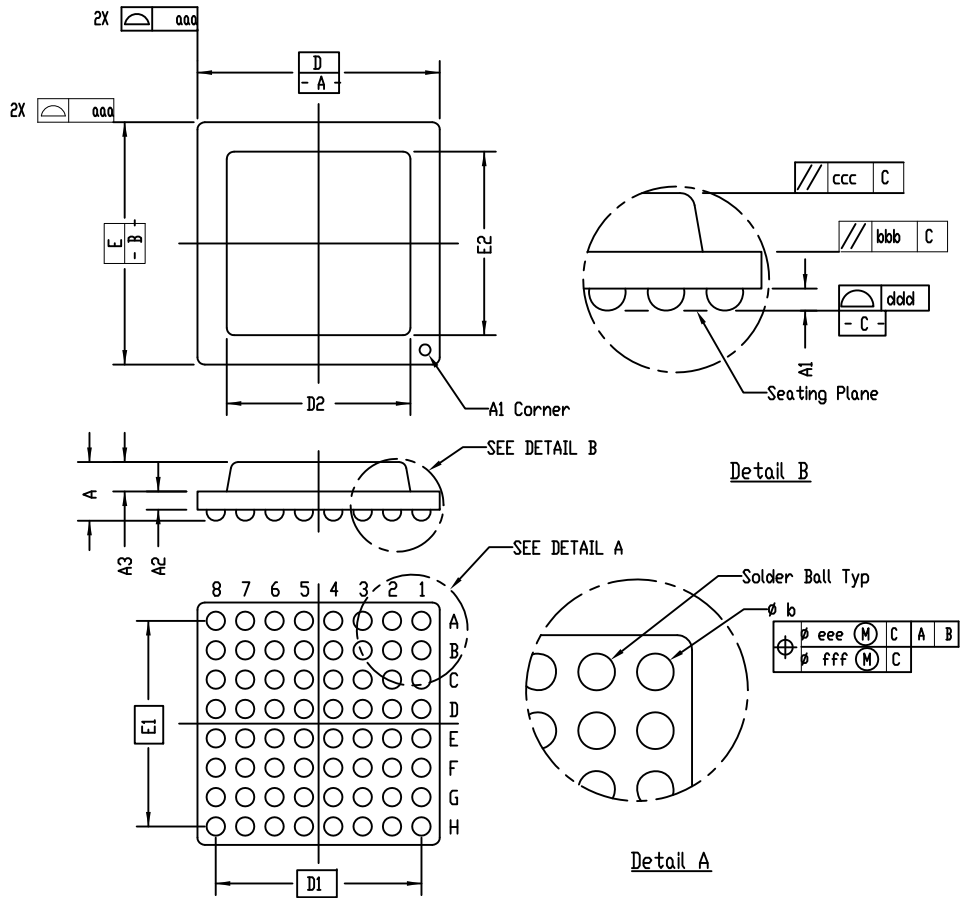
DWG. NO. 107250-0012

REV B

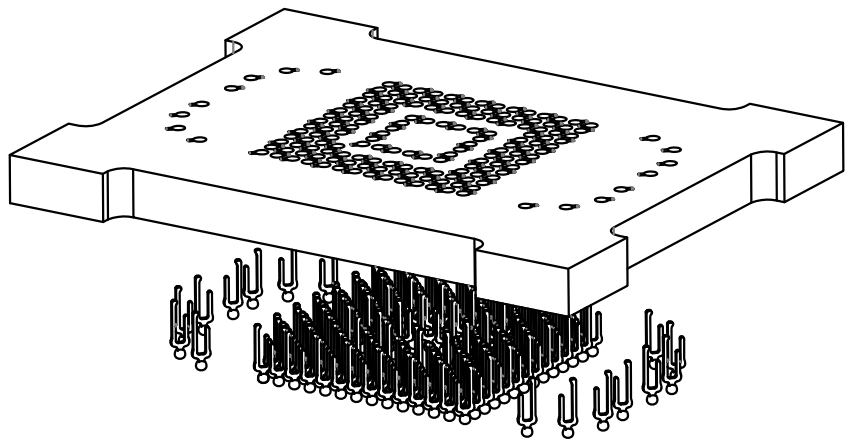
SCALE: 10:1 | SIZE: C | SHEET 1 OF 2

SOCKET FOR DEVICES WITHIN THESE SPECIFICATIONS					
Lead Count	N	169	Package Size	D	14.00
Columns	ND	14		E	18.00
Rows	NE	17	Ball Spacing	D1	6.500*
Pitch	e	0.50		E1	13.500*
Ball Size	b	0.30±0.05	Encapsulant/ Top Size	D2	n/a
Total Thickness	A	N/A	Pattern Style	E2	n/a
Ball Height	A1	0.225 min	Perimeter Rows		n/a
Substrate Thickness	A2	N/A	Center Array		n/a
Top Thickness	A3				
Form Tolerances					
Edge	aaa	0.20	Bottom	ddd	0.15
Substrate	bbb	0.20	Position	eee	0.20
Top	ccc	0.20	Position	fff	0.08

* See footprint for pattern details.
All dimensions are in millimeters.



Generic Representation with Full Grid Array



PROPRIETARY AND CONFIDENTIAL
THE INFORMATION CONTAINED IN THIS DRAWING IS THE SOLE PROPERTY OF HSDI TECHNOLOGIES, LLC. ANY REPRODUCTION IN PART OR AS A WHOLE WITHOUT THE WRITTEN PERMISSION OF HSDI TECHNOLOGIES, LLC IS PROHIBITED.

UNLESS OTHERWISE SPECIFIED: DIMENSIONS ARE IN MILLIMETERS TOLERANCES: ANGULAR: ± 1° XX ± 0.25 XXX ± 0.10 XXXX ± 0.050	DRAWN C. Wyner 05/19/10	DATE 05/19/10	HSDI TECHNOLOGIES, LLC. 13300 67th AVENUE NORTH MAPLE GROVE, MINNESOTA 55311 763-447-6260
LEGEND: △ NOTE CALLOUT ○ REVISION CHANGE ○ ITEM NUMBER	CHECKED E. Turin 05/20/10		

TITLE:
SCKT, 169G40 14X18-0.50
W/SOLDER BALLS-SAC305

DWG. NO. **107250-0012** REV **B**

SCALE: 10:1 SIZE: C SHEET 2 OF 2