



0.75mm elastomer stack up with Giga-SnaP adapter S-Parameter simulation data (G-S-S-G configuration)

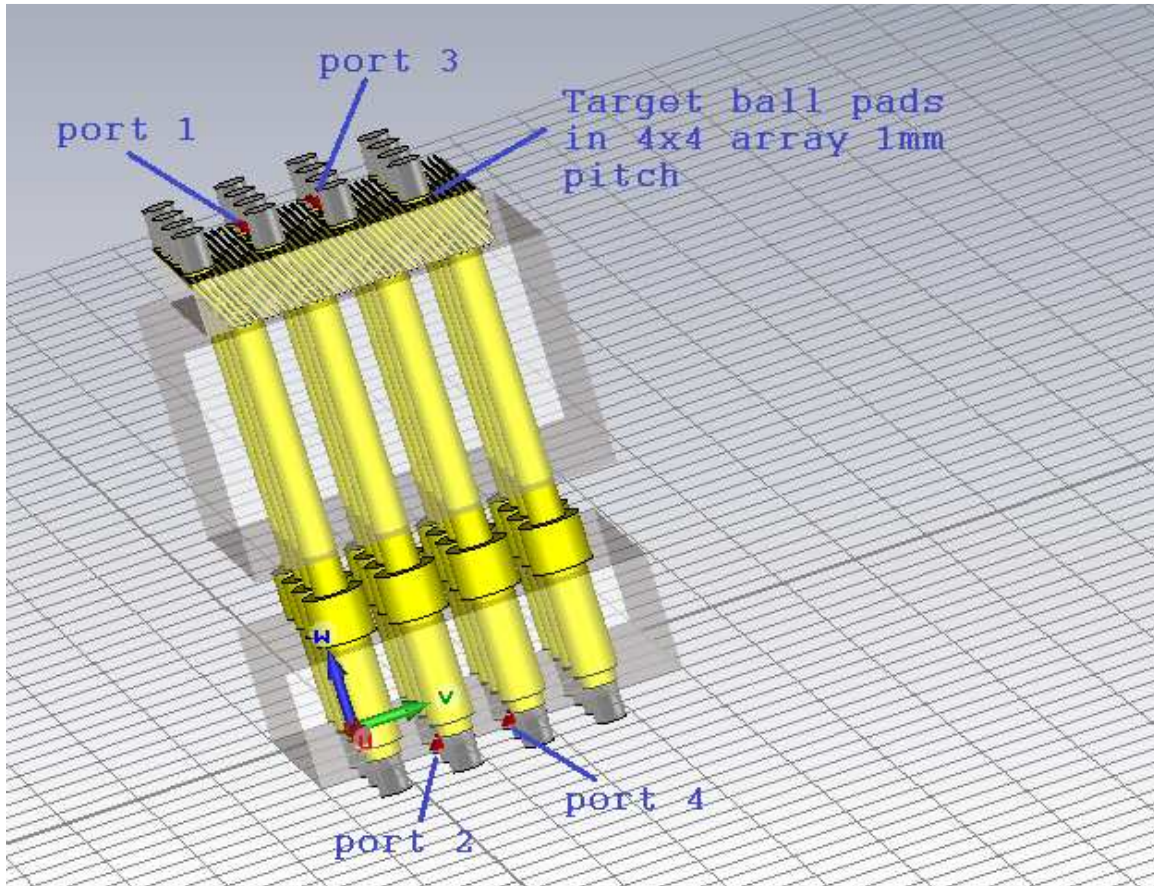


Figure 1: 0.75mm pitch elastomer-Giga-snap adapter stack-up simulation based on 4x4, 1.0mm pitch BGA array

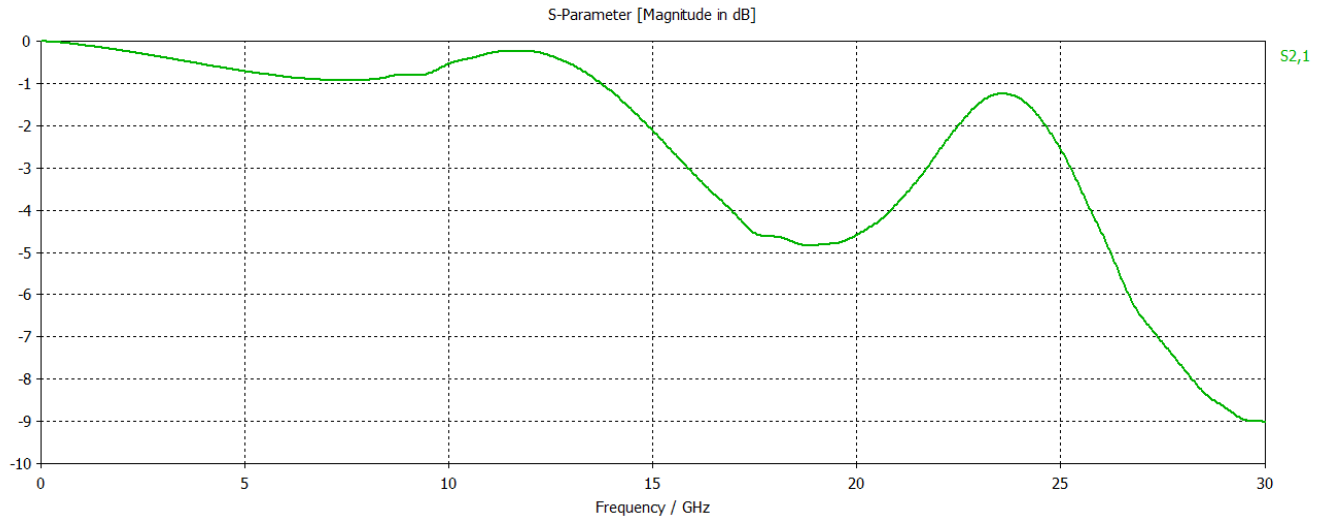


Figure 2: Simulated Insertion loss

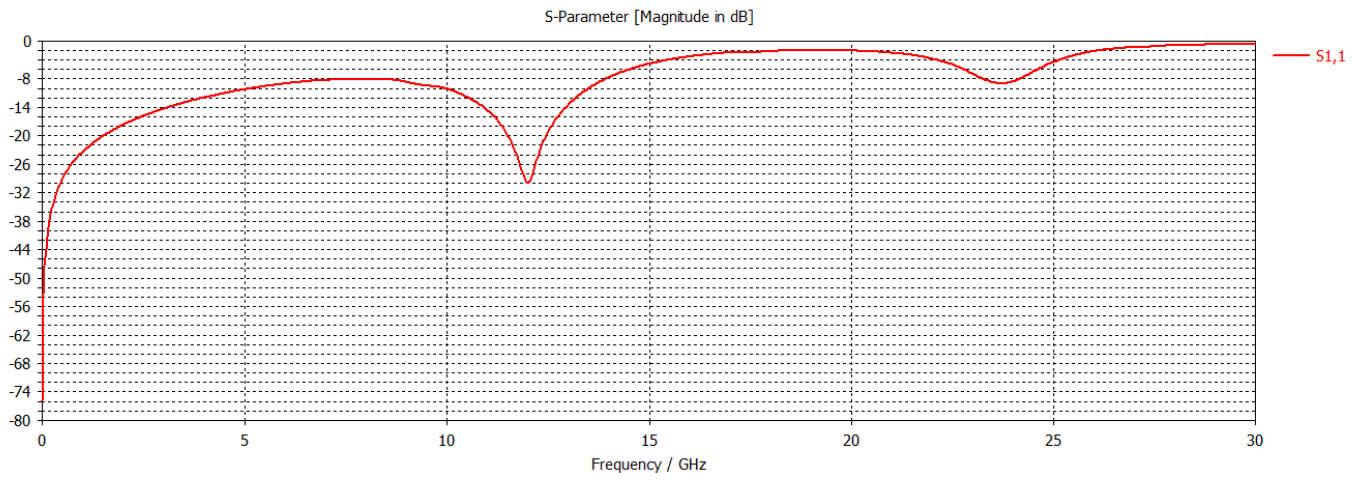


Figure 3: Simulated Return Loss S1,1

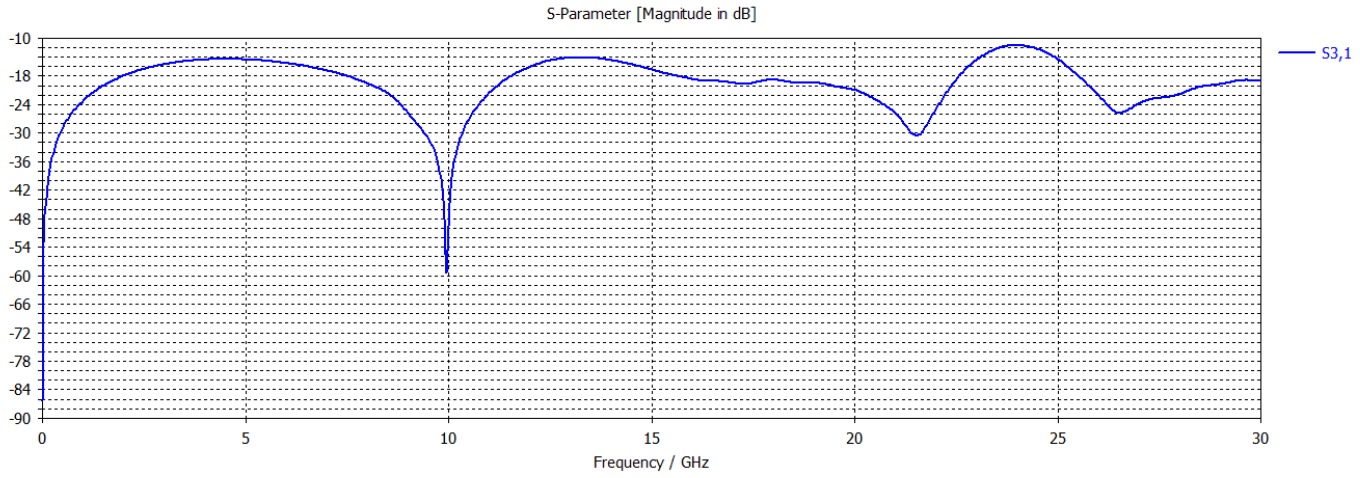


Figure 4: Crosstalk. S31

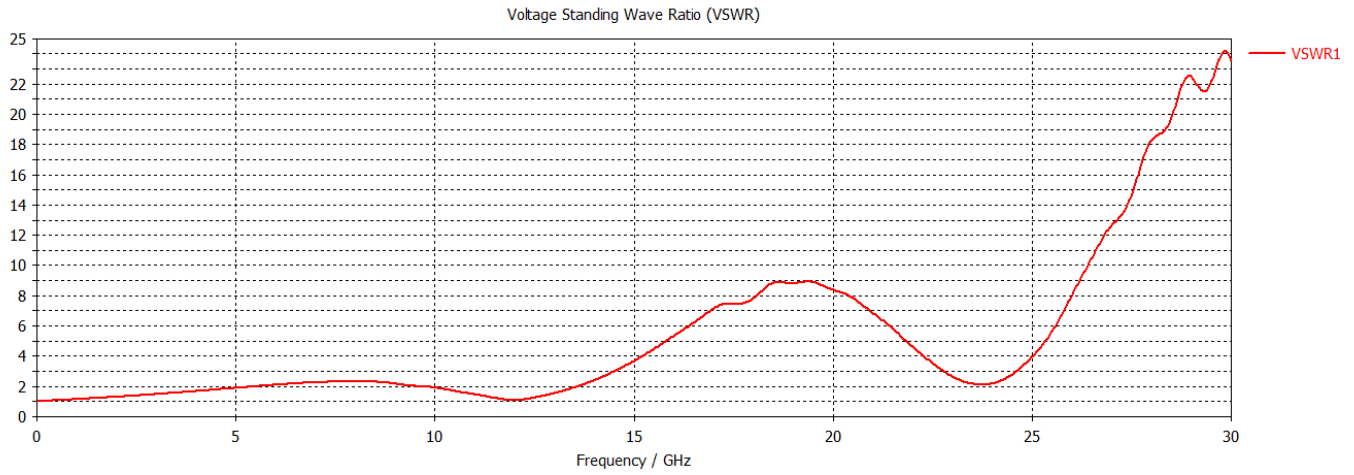


Figure 5: VSWR