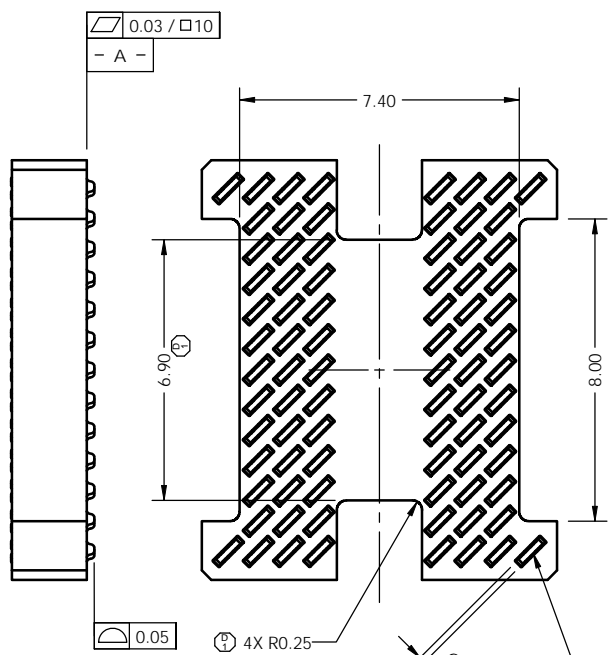
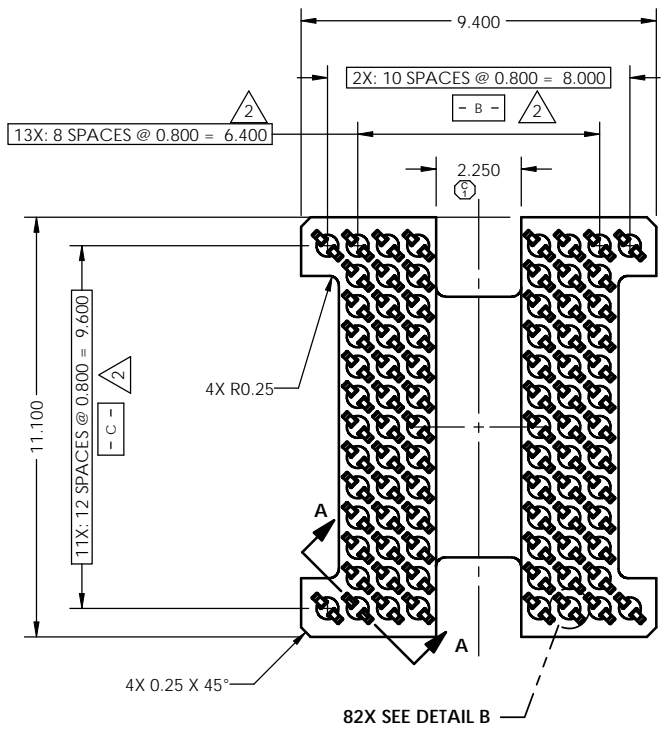
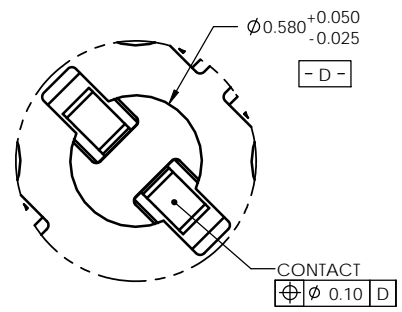
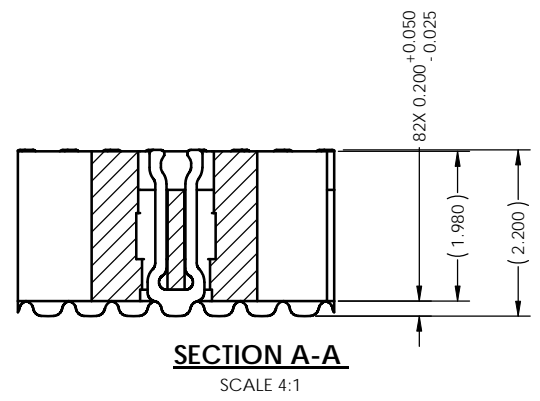
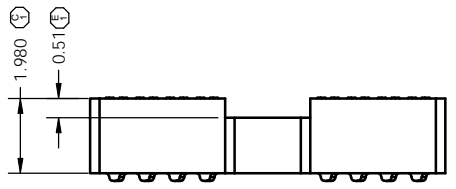


REV	ECO	BY	DESCRIPTION	APV	DATE
A		KP	Initial Design	MP	05/07/09
B		KP	Panelize part, and update T B	MP	08/25/09
C	30429	EJT	Added under mold relief opening	MP	06/21/10
D	30668	MP	Added end cut-outs	MP	01/11/11
E	30901	SK	1) Added dim	KW	09/20/11
F	30964	SK	1) Removed GD&T from A-A	KW	12/06/11



- Notes:
- Footprint part number is 104311-0143
  - Dimension locates center of contact.
  - Press size: 9.4 x 11.1.
  - Datum B and C determined by  $\varnothing 0.580$  opening in corner slots.
  - Unless otherwise noted, all features located  $\oplus 0.10$  A B C



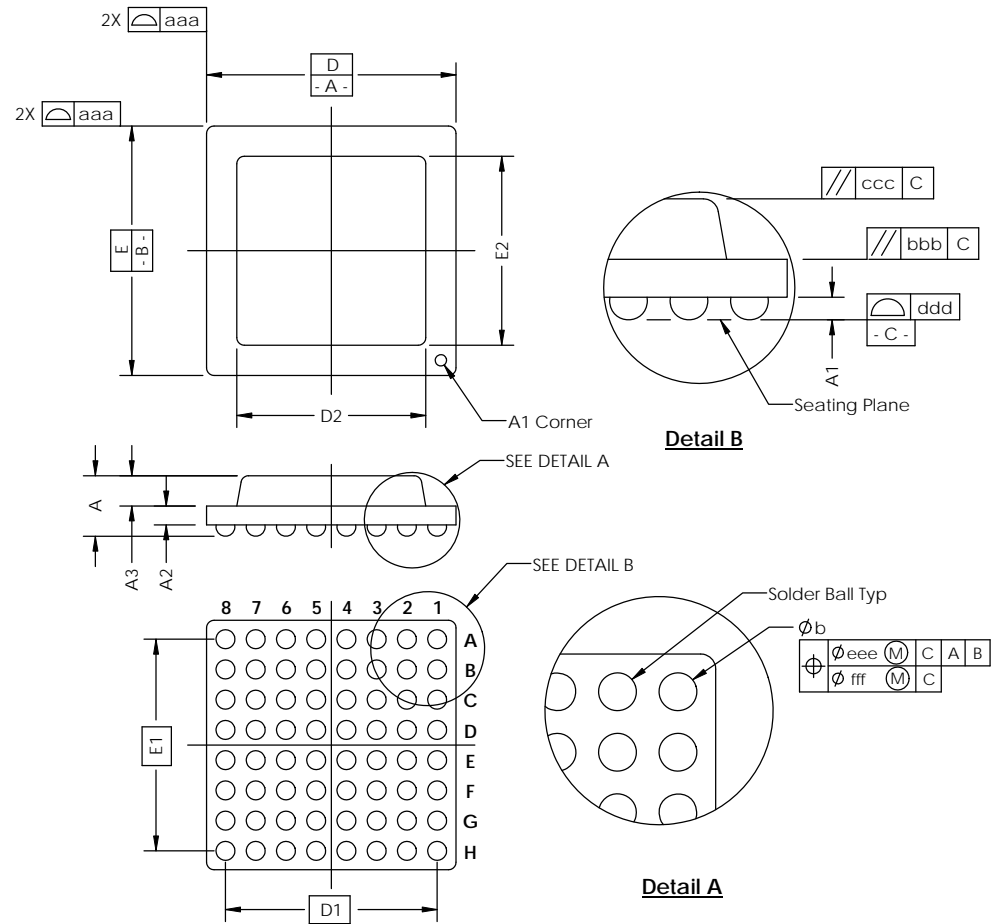
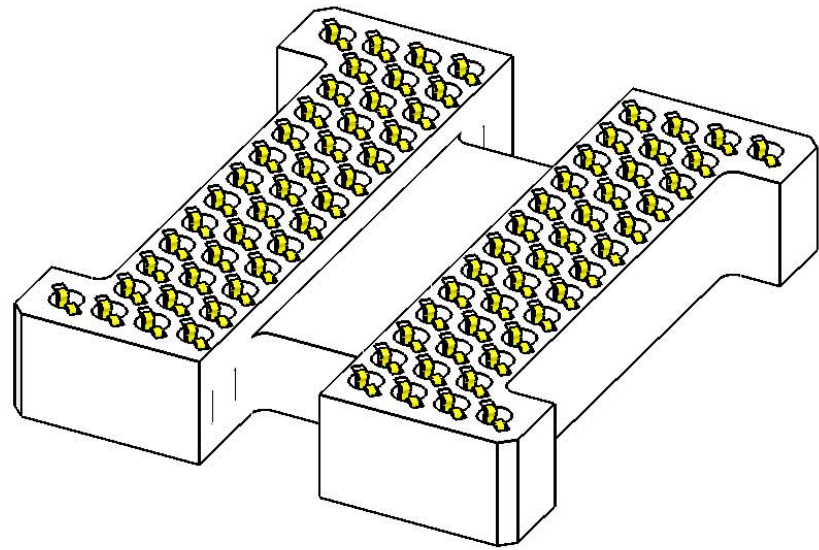
**DETAIL B 82X**  
SCALE 5:1

PARTS LIST	
Part Number	Description
105526-0056	SOCKET, 82GRY9.4X11.1-0.80
105528-0056	CS, 82GRY9.4X11.1-0.80
103864-0088	PRESS, DEV INS. 9.4X11.1 (SOLD SEP.)
104553-0129	STEN,FLEX, 82GRY9.4X11.1-0.80 (SOLD SEP.)

UNLESS OTHERWISE SPECIFIED DIMENSIONS ARE IN MILLIMETERS DIMS APPLY AFTER PLATING TOLERANCES UNLESS OTHERWISE NOTED:		THE INFORMATION CONTAINED IN THIS DRAWING IS THE SOLE PROPERTY OF RAD INTERCONNECT SOLUTIONS. ANY REPRODUCTION IN PART OR WHOLE WITHOUT THE WRITTEN PERMISSION OF RAD INTERCONNECT SOLUTIONS IS PROHIBITED.					
ANGLES ±1°	DECIMALS XX ±0.25 XXX ±0.10 XXXX ±0.050	<b>7115 NORTHLAND TERRACE SUITE 400</b> <b>BROOKLYN PARK, MN 55428</b> <b>(763) 509-0066</b>					
DRAWING APPROVALS		<b>SOCKET, 82GRY9.4X11.1-0.80</b>					
DESIGN: <b>K. Pitney</b>	DATE: <b>05/07/09</b>	<table border="1"> <tr> <td>SCALE: <b>C</b></td> <td>NATURAL: <b>SOLIDWORKS</b></td> <td>QUANTITY: <b>105526-0056</b></td> <td>SHEET: <b>F</b></td> </tr> </table>		SCALE: <b>C</b>	NATURAL: <b>SOLIDWORKS</b>	QUANTITY: <b>105526-0056</b>	SHEET: <b>F</b>
SCALE: <b>C</b>	NATURAL: <b>SOLIDWORKS</b>	QUANTITY: <b>105526-0056</b>	SHEET: <b>F</b>				
APPROV: <b>M. Peery</b>	DATE: <b>05/07/09</b>	<table border="1"> <tr> <td>THIRD ANGLE PROJECTION</td> <td>SEE BOM</td> <td>SHEET: <b>1 of 2</b></td> </tr> </table>		THIRD ANGLE PROJECTION	SEE BOM	SHEET: <b>1 of 2</b>	
THIRD ANGLE PROJECTION	SEE BOM	SHEET: <b>1 of 2</b>					
LEGEND:							
NOTE CALLOUT							
REVISION CHANGE							
ITEM NUMBER							

SOCKET FOR DEVICES THAT ARE WITHIN THESE SPECIFICATIONS					
Lead Count	<b>N</b>	82	Package Size	<b>D</b>	9.40
Columns	<b>ND</b>	11		<b>E</b>	11.10
Rows	<b>NE</b>	13	Ball Spacing	<b>D1</b>	8.00
Pitch	<b>e</b>	0.80		<b>E1</b>	9.60
Ball Size	<b>b</b>	0.45±0.05	Encapsulant/ Top Size	<b>D2</b>	n/a
Total Thickness	<b>A</b>	N/A		<b>E2</b>	n/a
Ball Height	<b>A1</b>	0.275 Min	Pattern Style	Irregular*	
Substrate Thickness	<b>A2</b>	N/A	Perimeter Rows	n/a	
Top Thickness	<b>A3</b>		Center Array	n/a	
Form Tolerances					
Edge	<b>aaa</b>	0.20	Bottom	<b>ddd</b>	0.15
Substrate	<b>bbb</b>	0.20	Position	<b>eee</b>	0.20
top	<b>ccc</b>	0.20	Position	<b>fff</b>	0.08

All dimensions are in millimeters.  
\*See footprint specification for pattern details.



**Generic Representation with Full Grid Array**

THE INFORMATION CONTAINED IN THIS DRAWING IS THE SOLE PROPERTY OF R&D INTERCONNECT SOLUTIONS. ANY REPRODUCTION IN PART OR WHOLE WITHOUT THE WRITTEN PERMISSION OF R&D INTERCONNECT SOLUTIONS IS PROHIBITED.

UNLESS OTHERWISE SPECIFIED  
- DIMENSIONS ARE IN MILLIMETERS  
- DIMS APPLY AFTER PLATING  
TOLERANCES UNLESS OTHERWISE NOTED: DECIMALS  
ANGLES                   X.X   ±0.25  
                              X.XX   ±0.10  
                              X.XXX ±0.050

LEGEND:  
 NOTE CALLOUT  
 REVISION CHANGE  
 ITEM NUMBER

**RD** Interconnect Solutions    7115 NORTHLAND TERRACE, SUITE 400  
BROOKLYN PARK, MN 55428  
(763) 509-0066

**SOCKET, 82GRY9.4X11.1-0.80**

REV	DATE	DESCRIPTION	DRAWING NO.	REV
C		SOLIDWORKS	105526-0056	F

SCALE: See Page 1    MATERIAL:    SHEET: 2 of 2