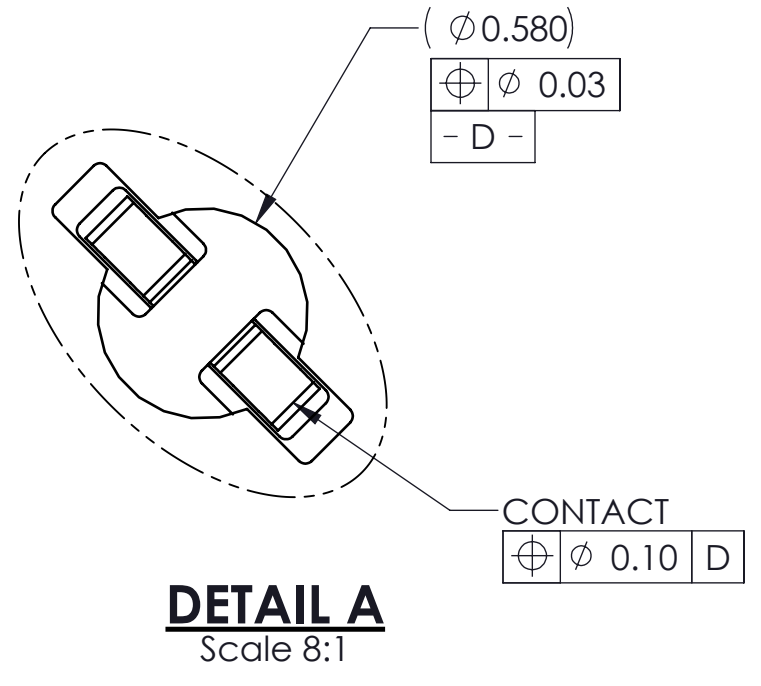
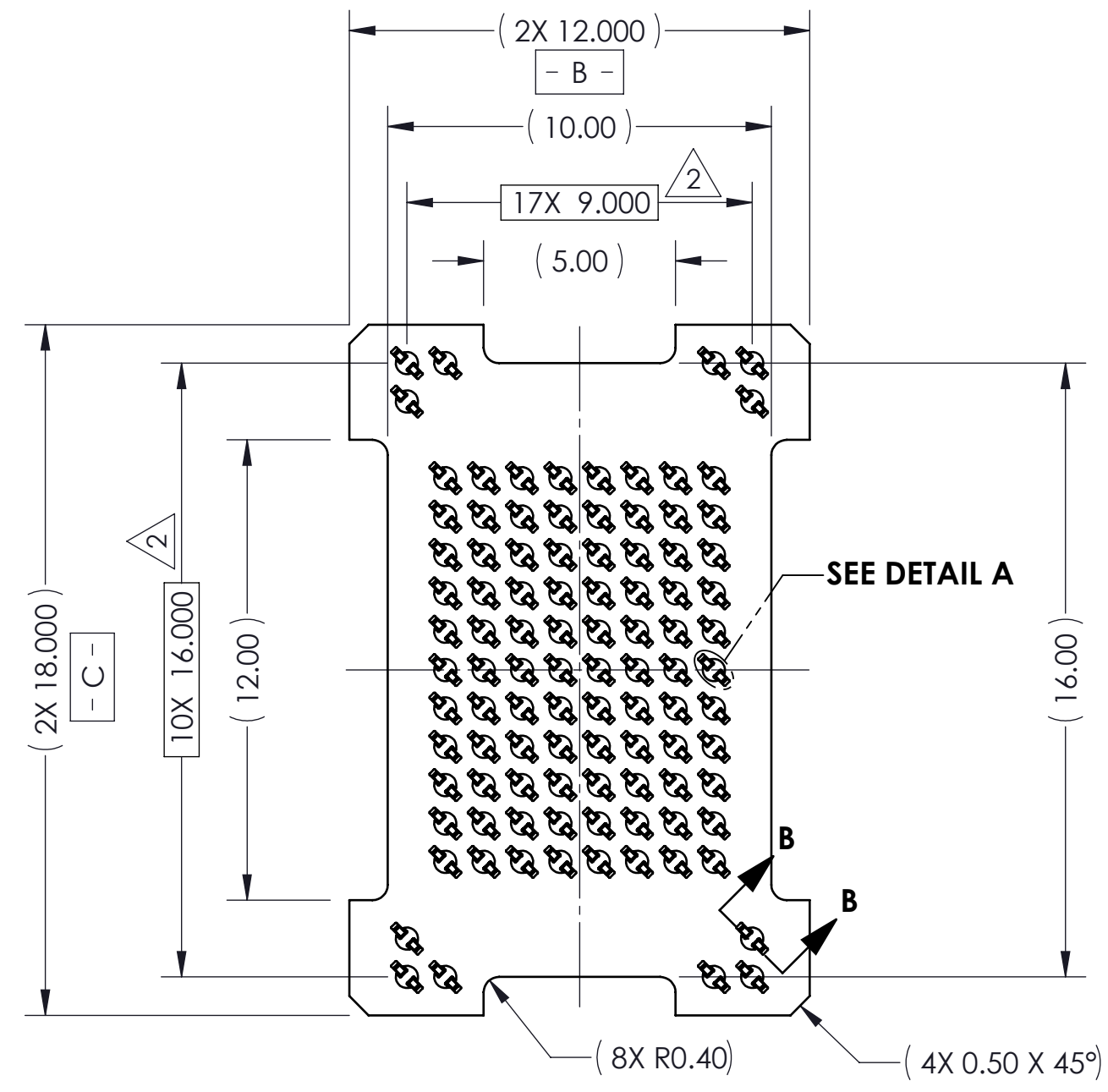
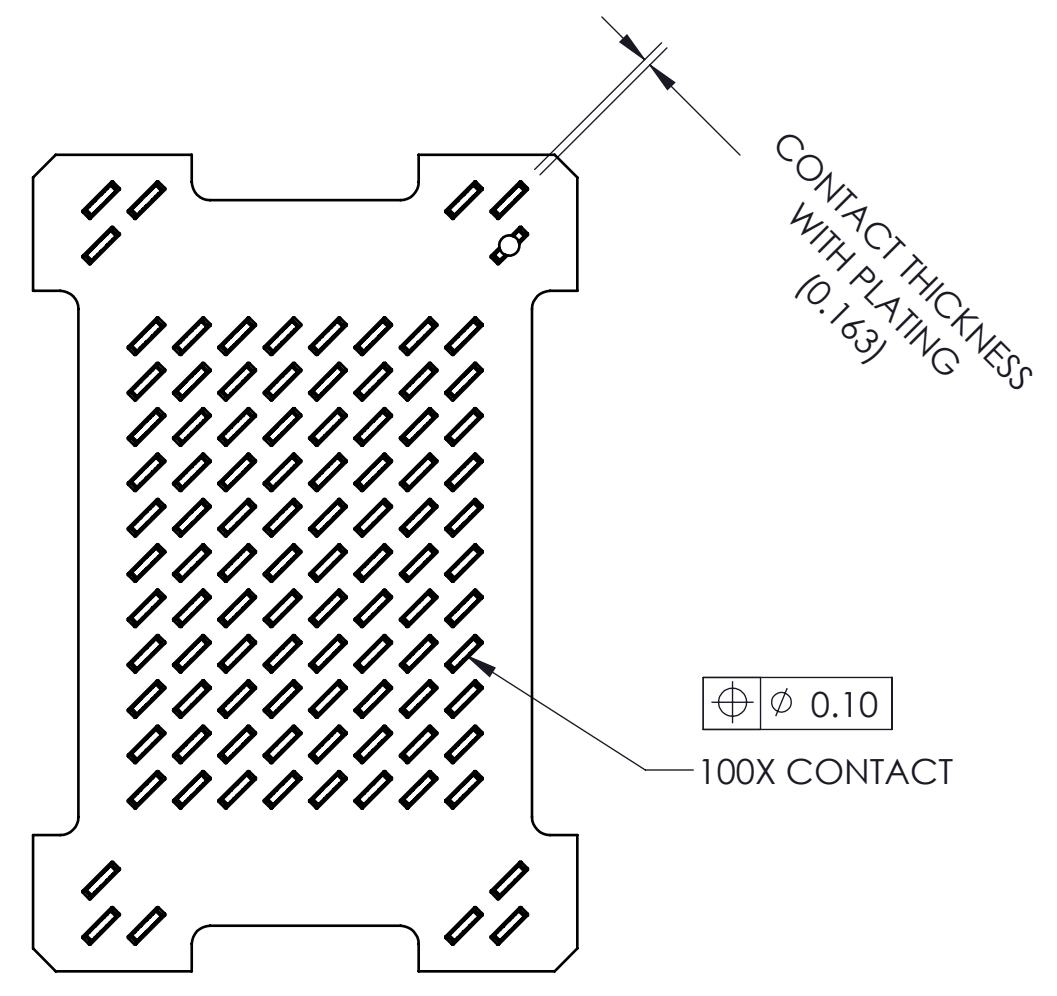
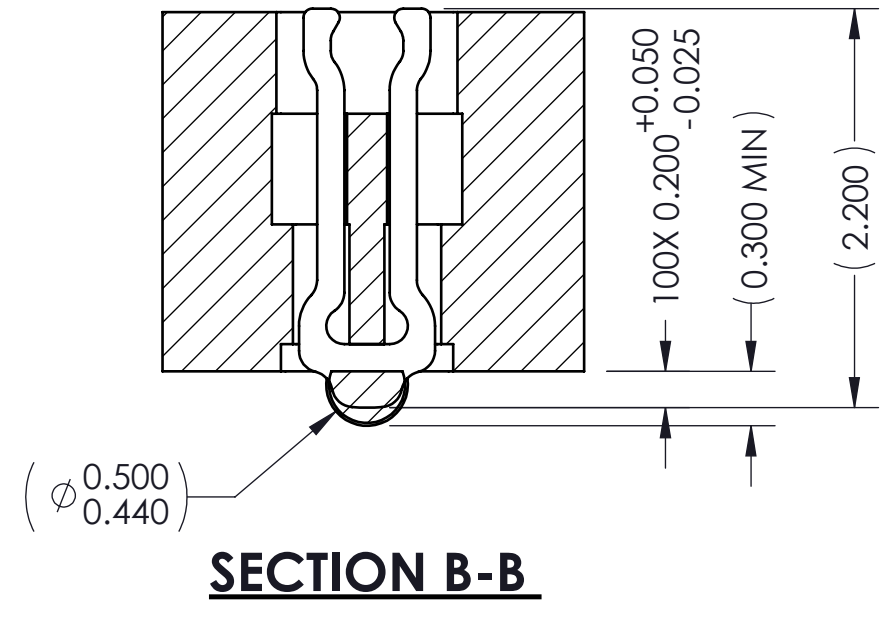
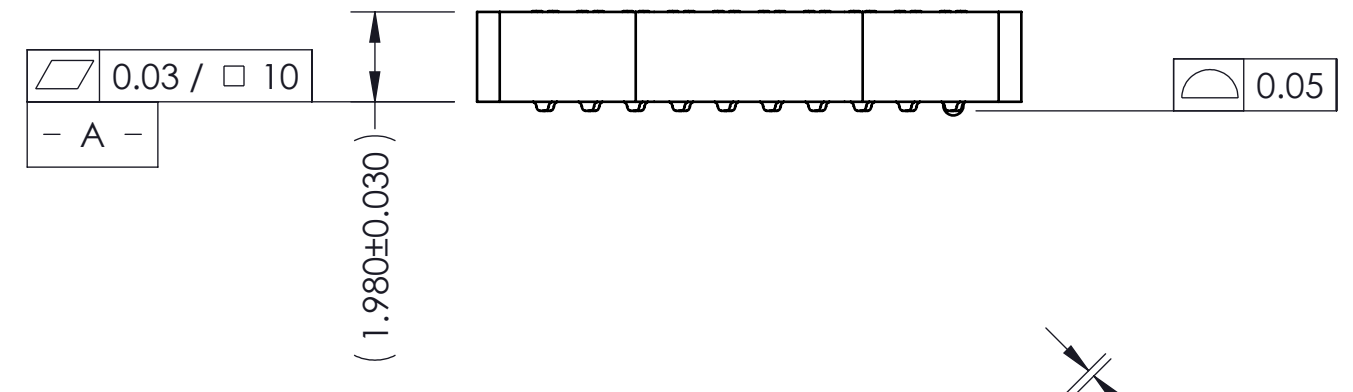


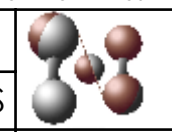
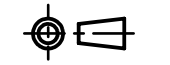
REV	ECO	BY	DESCRIPTION	APV	DATE
A	31585	RS	Initial Design	NSJ	01/06/15



- Notes:
- Footprint part number is 104311-0146.
 - Dimension locates center of contact.
 - Press size is 12.00 x 18.00.



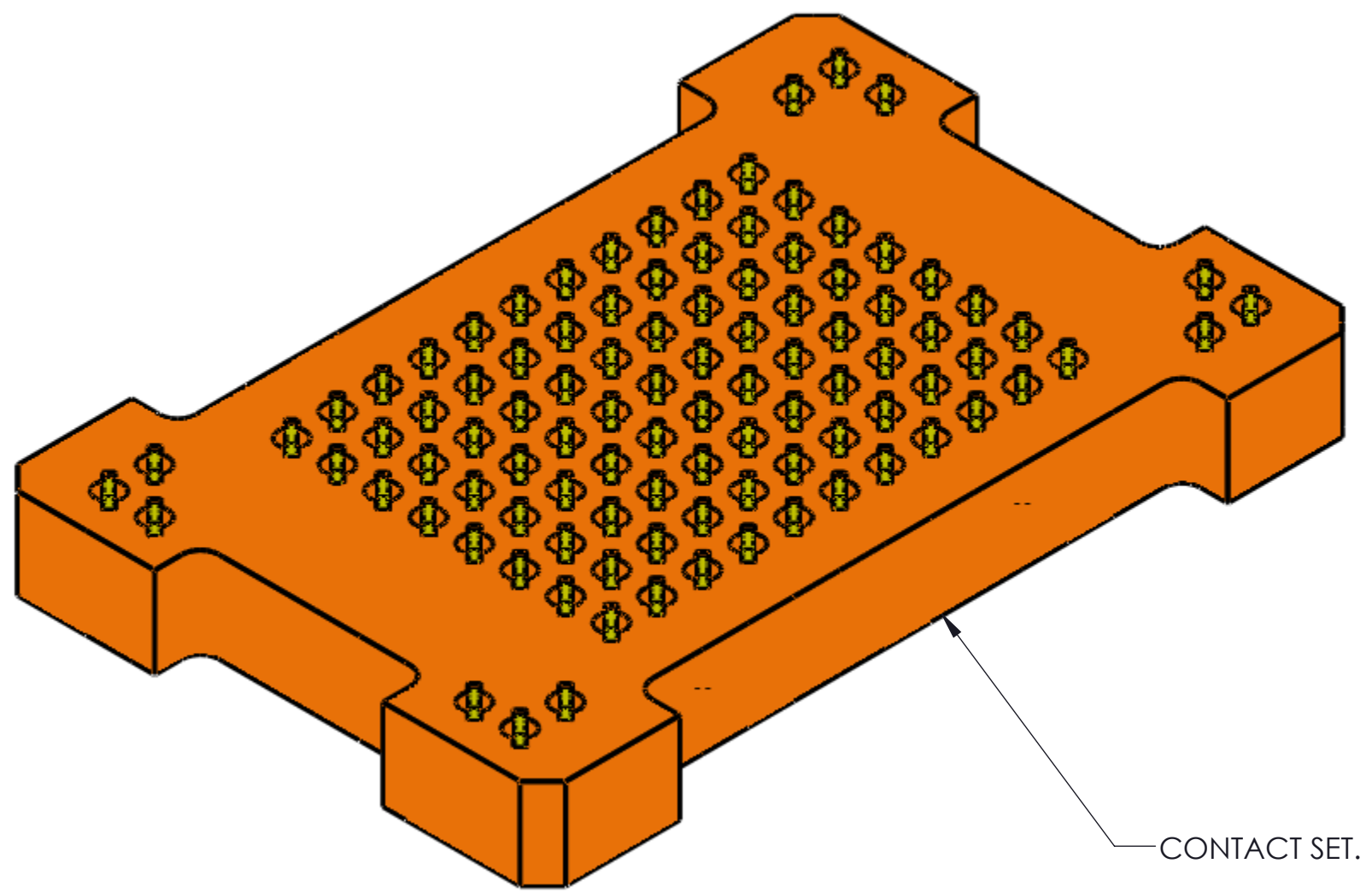
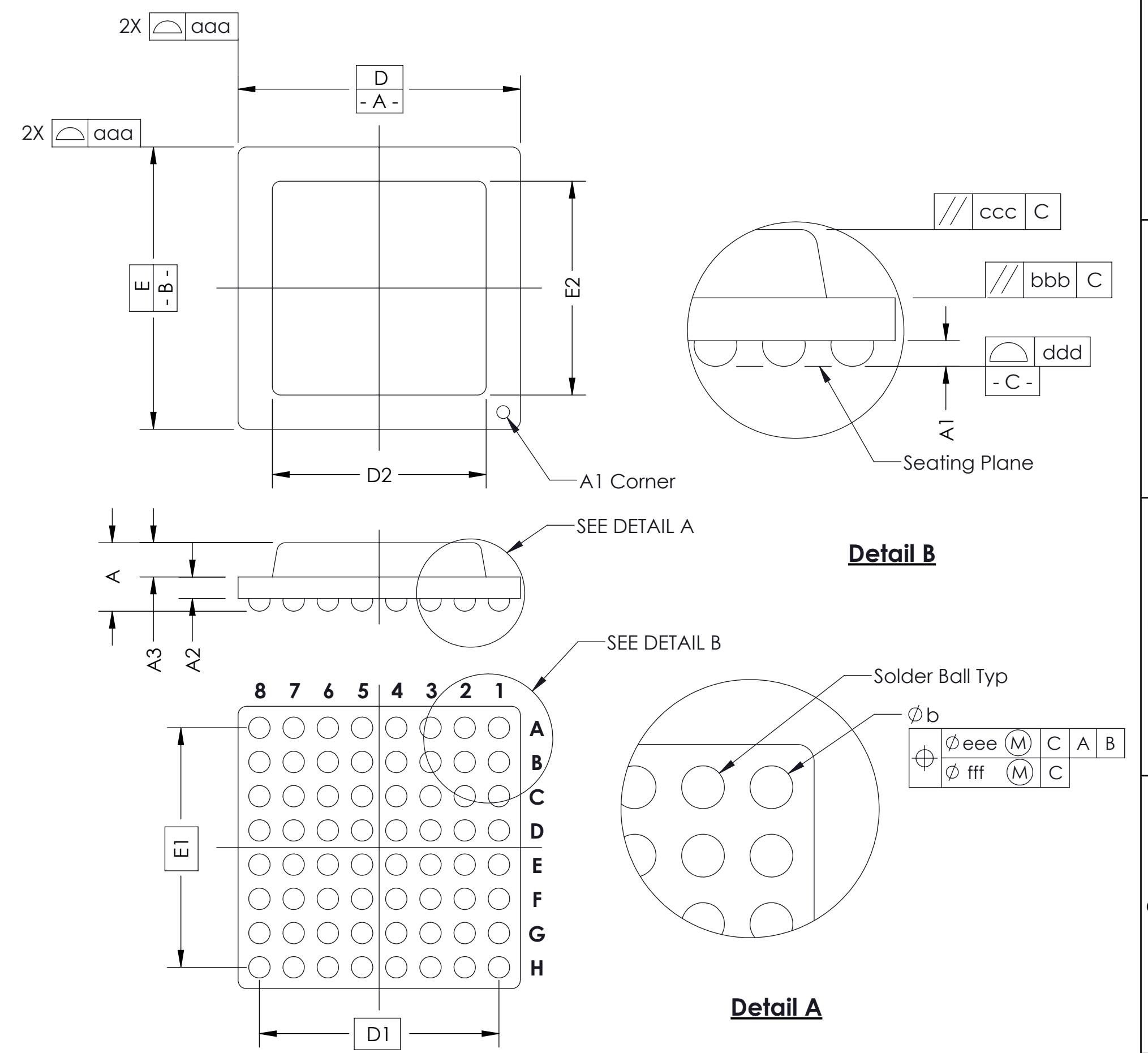
Parts List	
Part Number	Description
105526-0057	SCKT, 100GRY12x18-1.0
105528-0057	CS, 100GRY12X18-1.0
103864-0083	PRESS, DEV INS, 12X18, (SOLD SEP)
104553-0133	STEN, FLEX, 100GRY12X18-1.0 (SOLD SEP)

UNLESS OTHERWISE SPECIFIED - DIMENSIONS ARE IN MILLIMETERS - DIMS APPLY AFTER PLATING TOLERANCES UNLESS OTHERWISE NOTED: ANGLES ±1° DECIMALS X.X ±0.25 X.XX ±0.10 X.XXX ±0.050		THE INFORMATION CONTAINED IN THIS DRAWING IS THE SOLE PROPERTY OF HSIO TECHNOLOGIES, LLC. ANY REPRODUCTION IN PART OR WHOLE WITHOUT THE WRITTEN PERMISSION OF HSIO TECHNOLOGIES, LLC. IS PROHIBITED.	
CAD GENERATED DRAWING DO NOT MANUALLY UPDATE		 HSIO TECHNOLOGIES, LLC. 13300 67th AVENUE NORTH MAPLE GROVE, MINNESOTA 55311 763-447-6260	
DRAWING APPROVALS		TITLE	
NAME	DATE	SCKT, 100GRY12X18-1.00 EUTECTIC SOLDER BALL	
R. Sewharack	01/06/15		
APPVD	DATE	SIZE	CAD FORMAT
N. St Jacques	01/06/15	C	SOLIDWORKS
THIRD ANGLE PROJECTION		DRAWING NO.	REV.
		105526-0088	A
		SCALE	SHEET
		SEE BOM	1 of 2

- LEGEND:
- (X) NOTE CALLOUT
 - (A) REVISION CHANGE
 - (X) ITEM NUMBER

SOCKET FOR DEVICES THAT ARE WITHIN THESE SPECIFICATIONS					
Lead Count	N	100	Package Size	D	12.00
Columns	ND	10		E	18.00
Rows	NE	17	Ball Spacing	D1	9.00
Pitch	e	1.00		E1	16.00
Ball Size	b	0.45±0.05	Encapsulant/ Top Size	D2	N/A
Total Thickness	A	N/A		E2	N/A
Ball Height	A1	0.275 Min	Pattern Style	Irregular*	
Substrate Thickness	A2	N/A	Perimeter Rows	N/A	
Top Thickness	A3		Center Array	N/A	
Form Tolerances					
Edge	aaa	0.20	Bottom	ddd	0.15
Substrate	bbb	0.20	Position	eee	0.20
Top	ccc	0.20	Position	fff	0.08

All dimensions are in millimeters.
*See footprint specification for pattern details.



Generic Representation with Full Grid Array

<small>THE INFORMATION CONTAINED IN THIS DRAWING IS THE SOLE PROPERTY OF HSIO TECHNOLOGIES, LLC. ANY REPRODUCTION IN PART OR WHOLE WITHOUT THE WRITTEN PERMISSION OF HSIO TECHNOLOGIES, LLC. IS PROHIBITED.</small>			
<small>UNLESS OTHERWISE SPECIFIED - DIMENSIONS ARE IN MILLIMETERS - DIM'S APPLY AFTER PLATING TOLERANCES UNLESS OTHERWISE NOTED: DECIMALS ANGLES X.X ±0.25 ±1° X.XX ±0.10 X.XXX ±0.050</small>		HSIO TECHNOLOGIES, LLC. 13300 67th AVENUE NORTH MAPLE GROVE, MINNESOTA 55311 763-447-6260	
SCKT, 100GRY12X18-1.00 EUTECTIC SOLDER BALLS			
<small>LEGEND:</small> NOTE CALLOUT REVISION CHANGE ITEM NUMBER	<small>SIZE</small> C <small>CAD FORMAT</small> SOLIDWORKS <small>SCALE</small>	<small>DRAWING NO.</small> 105526-0088 <small>MATERIAL</small> See Page 1	<small>REV.</small> A <small>SHEET</small> 2 of 2