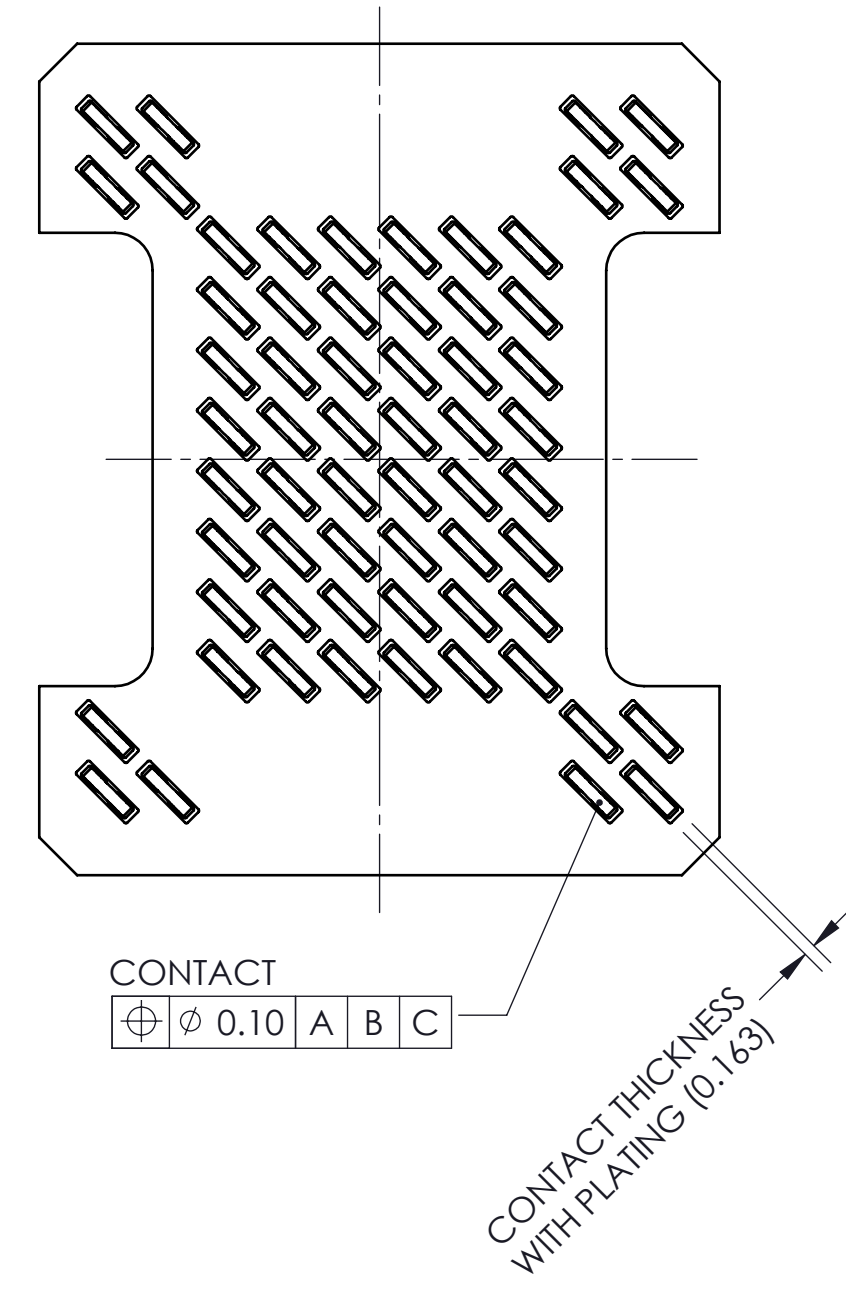
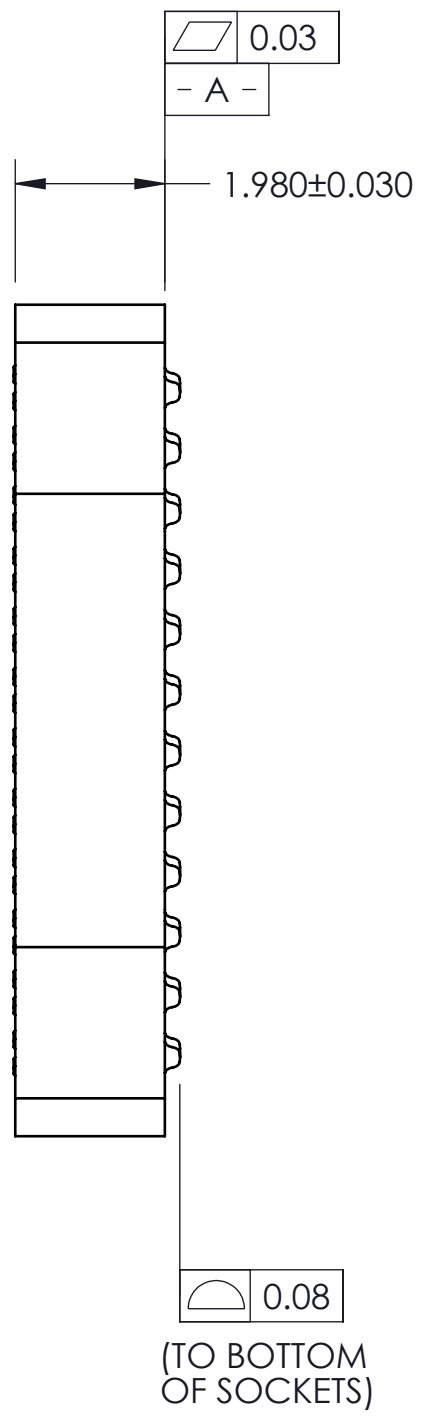
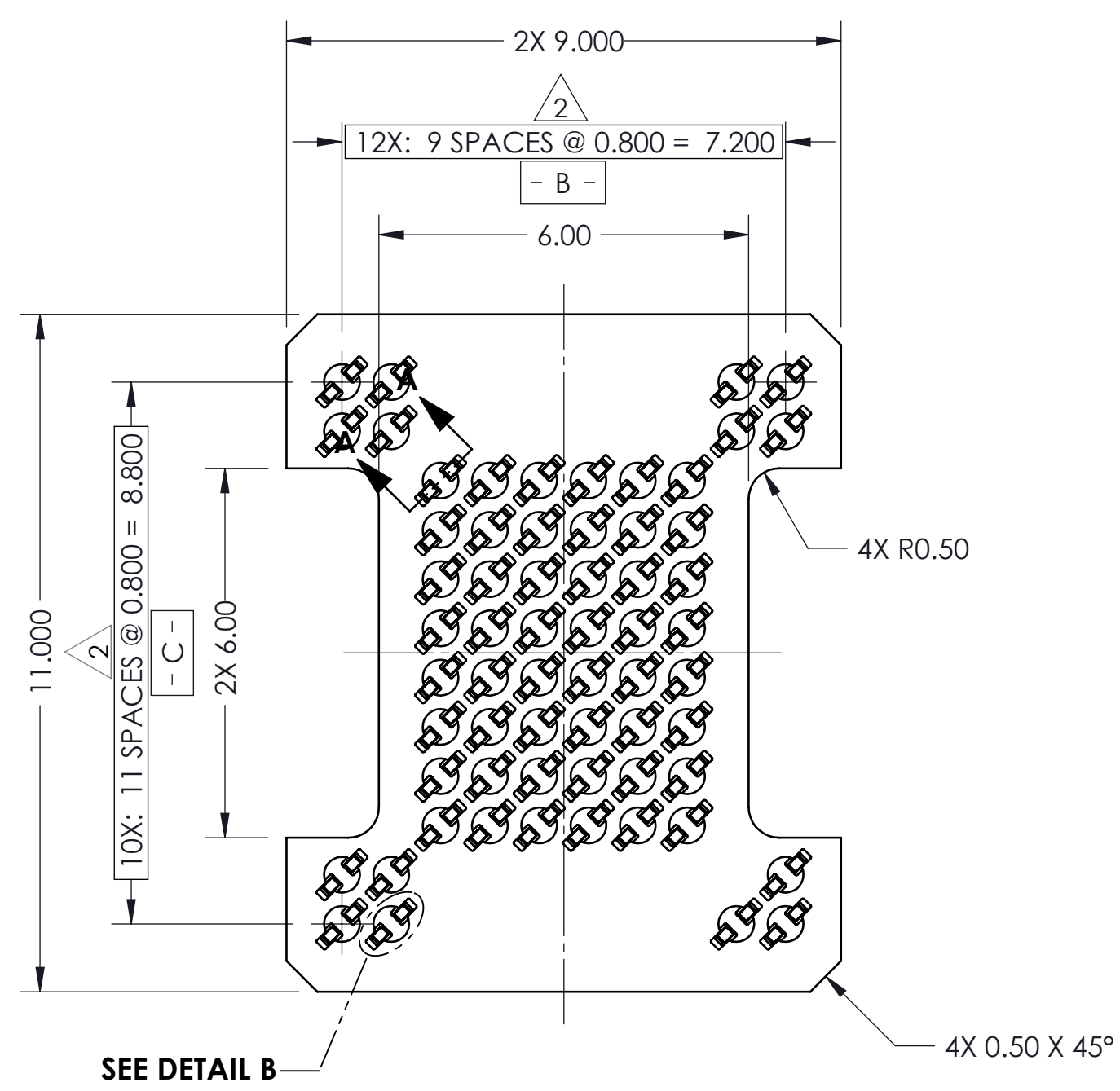
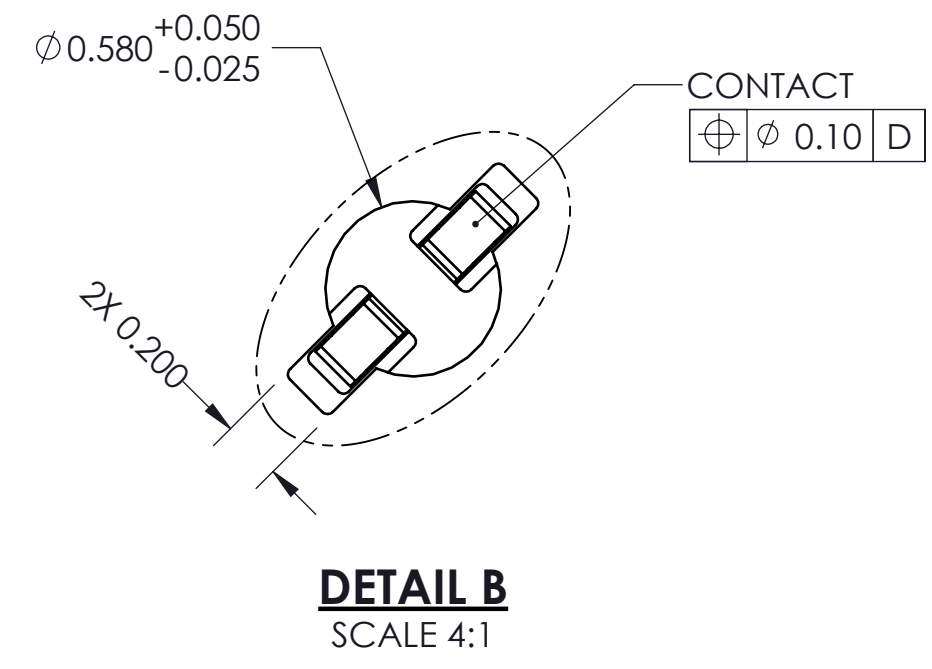
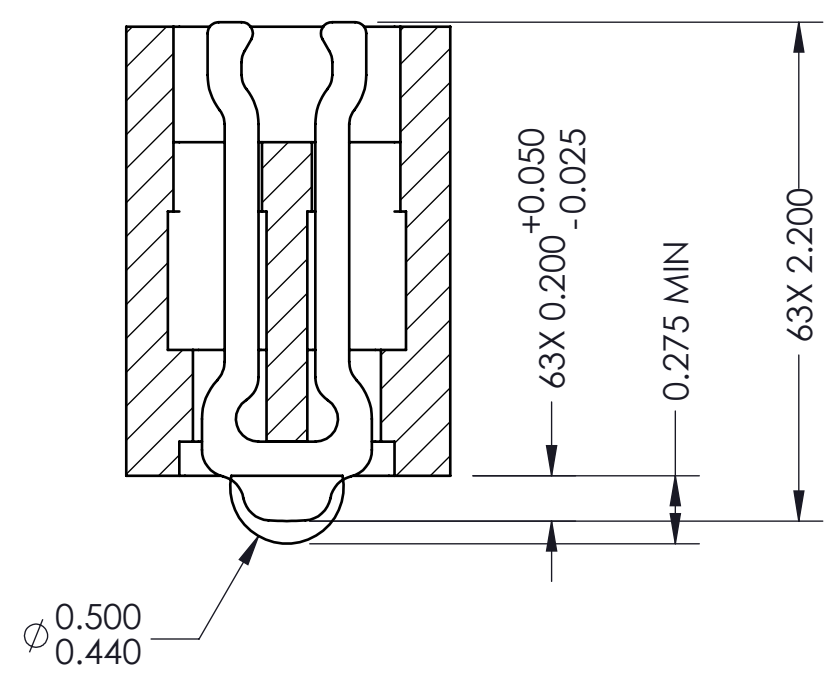
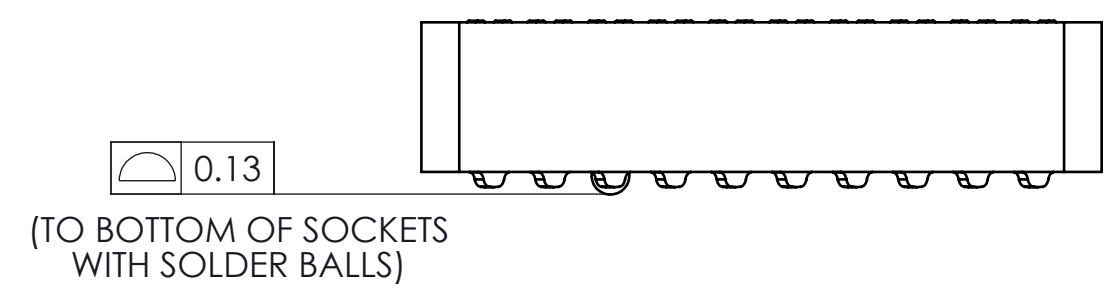


REV	ECO	DESCRIPTION	APV	DATE
A	31781	INITIAL DESIGN	NSJ	05/20/16



PARTS LIST	
Part Number	Description
105526-0097	SCKT, 63GRY9 X 11-0.80, SAC305
105528-0082	CS, 63GRY9 X 11-0.80
103864-0048	PRESS, DEV INS, 9 X 11 (SOLD SEP.)
104553-0083	STEN,FLEX, 63GRY9 X 11-0.80 (SOLD SEP.)

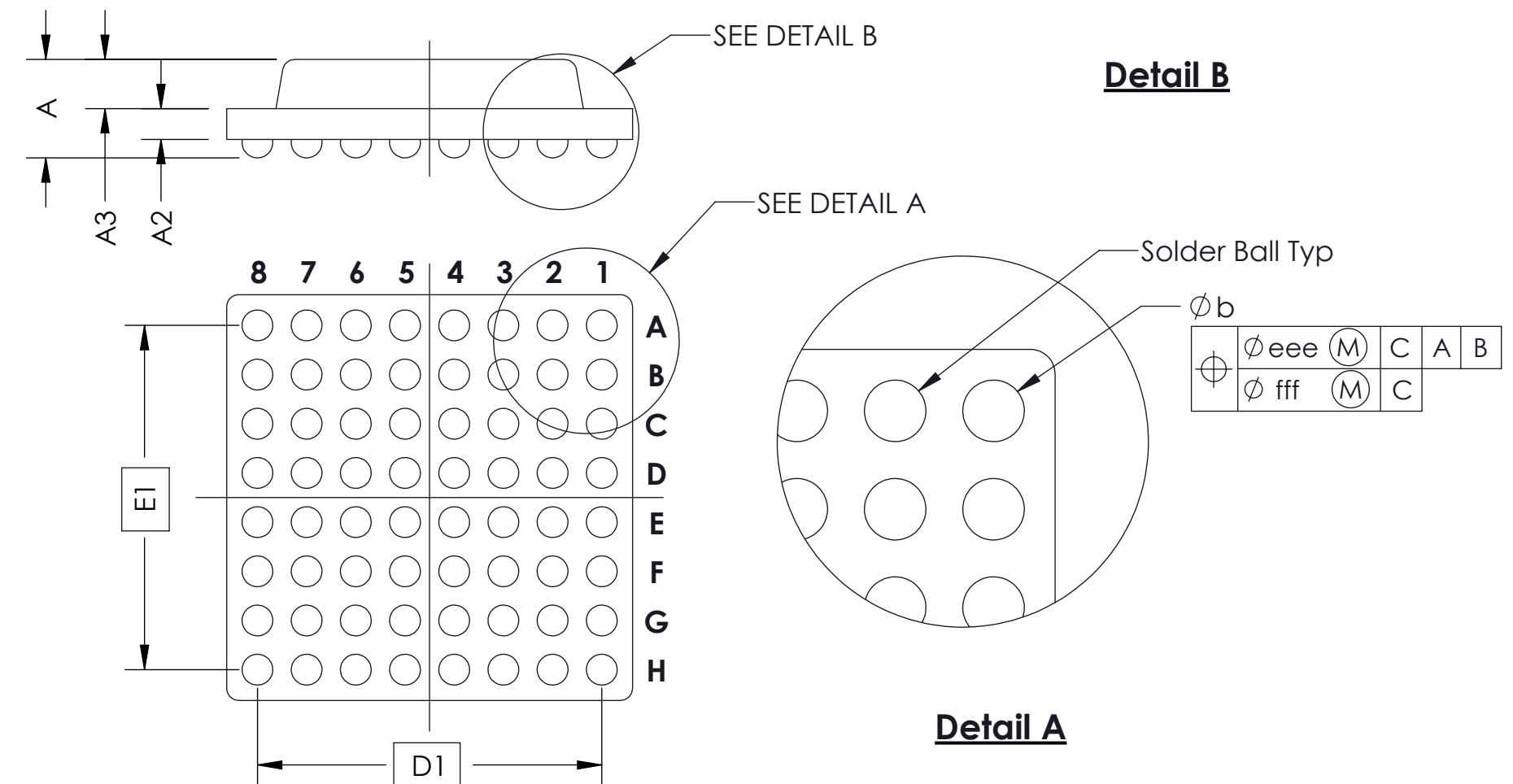
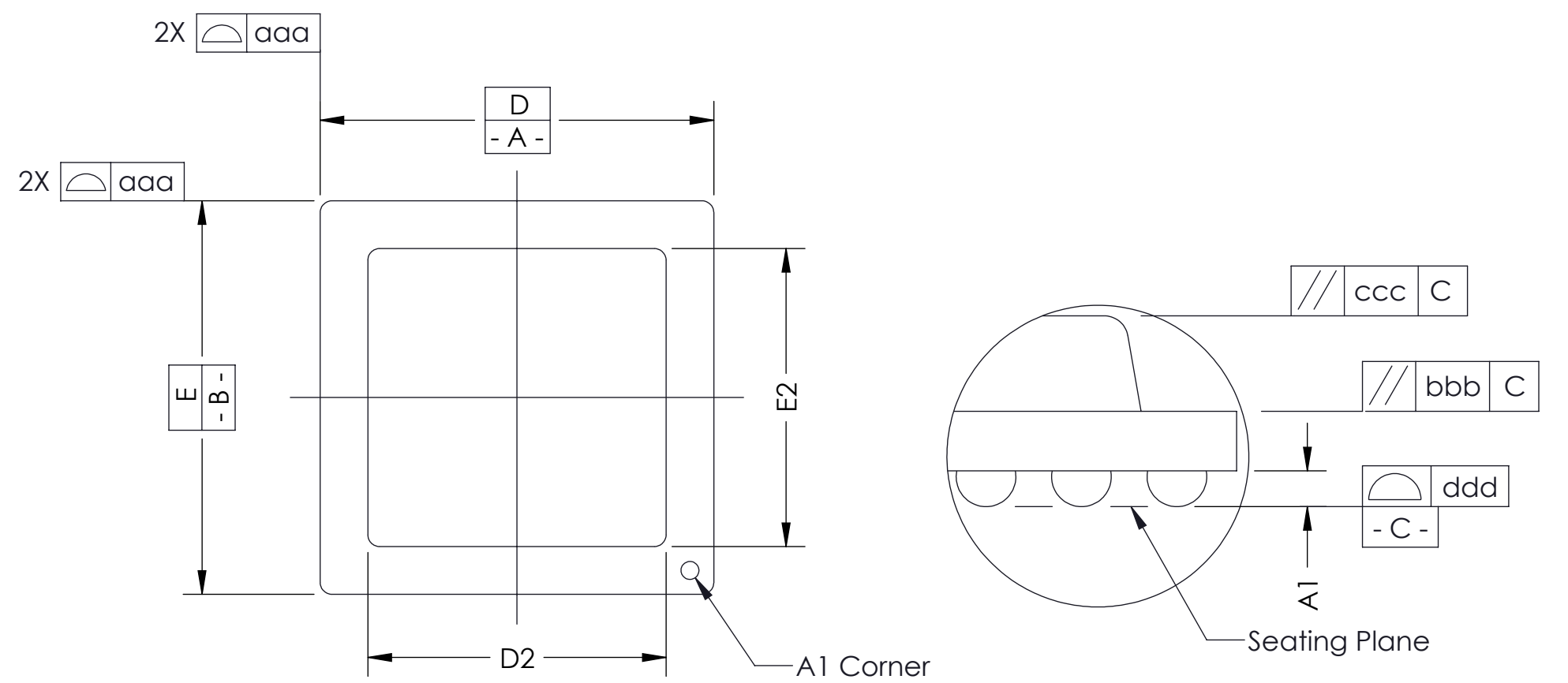


- NOTES:
- FOOTPRINT PART NUMBER IS 104311-0303.
  - LOCATES CENTER OF CONTACT SLOTS.
  - PRESS SIZE: 9 X 11
  - DATUM -B- AND -C- DETERMINED BY  $\phi 0.580$  OPENING IN CORNER SLOTS.
  - UNLESS OTHERWISE SPECIFIED, ALL FEATURES LOCATED  $\oplus 0.10$  A B C
  - ALL SOLDER BALLS ARE NOT SHOWN TO MINIMIZE FILE SIZE.

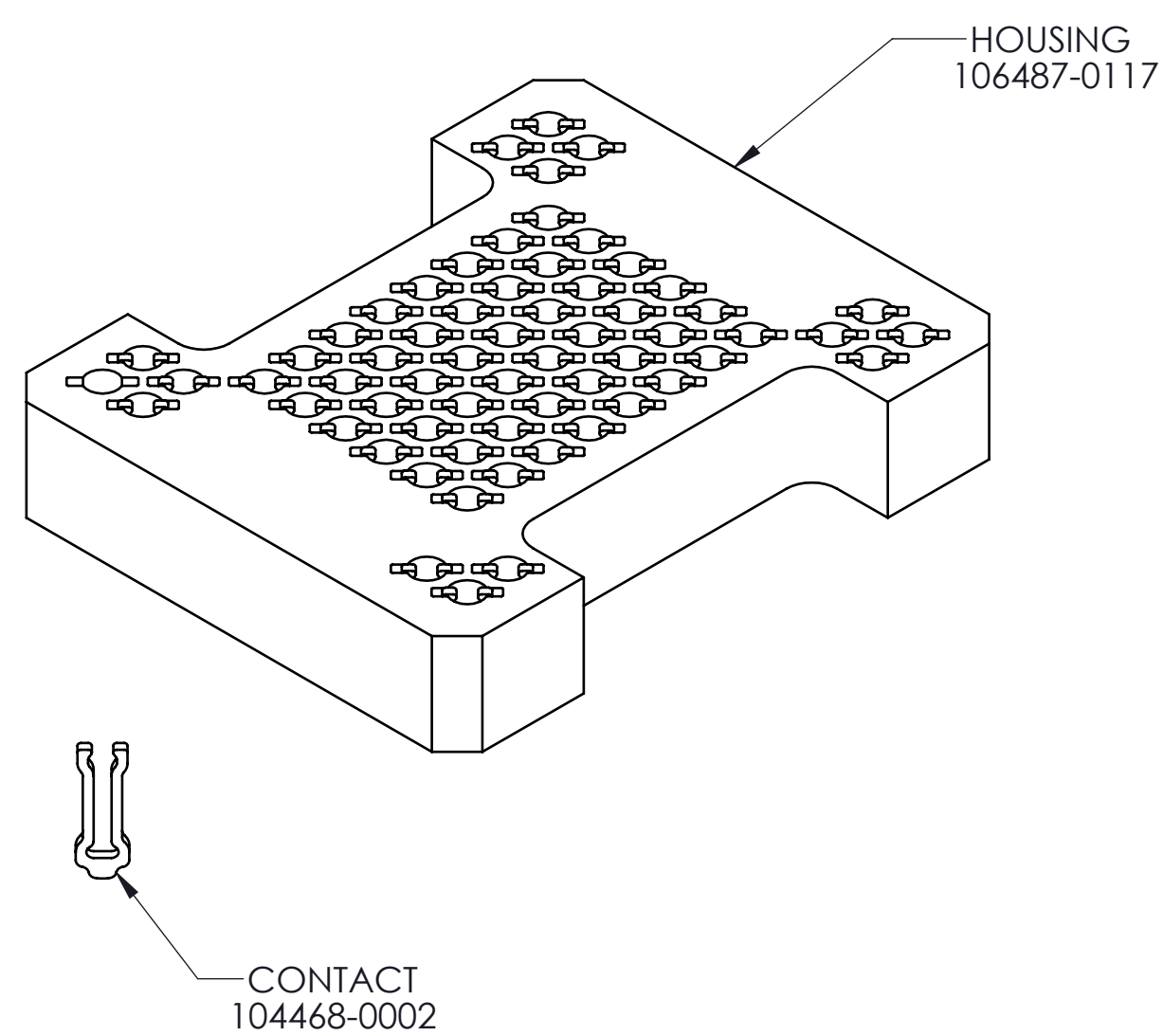
<p><b>HSIO technologies</b> PROPRIETARY AND CONFIDENTIAL</p> <p>THE INFORMATION CONTAINED IN THIS DRAWING IS THE SOLE PROPERTY OF HSIO TECHNOLOGIES, LLC. ANY REPRODUCTION IN PART OR AS A WHOLE WITHOUT THE WRITTEN PERMISSION OF HSIO TECHNOLOGIES, LLC IS PROHIBITED.</p>	UNLESS OTHERWISE SPECIFIED: DIMENSIONS ARE IN MILLIMETERS TOLERANCES: ANGULAR: $\pm 1^\circ$ X.X $\pm 0.25$ X.XX $\pm 0.10$ X.XXX $\pm 0.050$	DRAWN	NAME	DATE	<b>HSIO TECHNOLOGIES, LLC.</b> 13400 68th AVENUE NORTH MAPLE GROVE, MINNESOTA 55311 763-447-6260	
	INTERPRET GEOMETRIC TOLERANCING PER:	CHECKED	NSJ	05/20/16		TITLE:
	MATERIAL	SEE BOM	LEGEND:		SCKT, 63GRY 9 X 11-0.80, SAC305	
	FINISH		△ NOTE CALLOUT	DWG. NO.		
DO NOT SCALE DRAWING		○ ITEM NUMBER		105526-0097	REV	
					A	
				SCALE: 10:1	SIZE: C	SHEET 1 OF 2

SOCKET FOR DEVICES THAT ARE WITHIN THESE SPECIFICATIONS				
Lead Count	<b>N</b>	63	Package Size	<b>D</b> 9.00
Columns	<b>ND</b>	10	Ball Spacing	<b>E1</b> 8.80
Rows	<b>NE</b>	12	Encapsulant/Top Size	<b>D2</b> N/A
Pitch	<b>e</b>	0.80	Pattern Style	<b>E2</b> N/A
Ball Size	<b>b</b>	0.45±0.05	Perimeter Rows	N/A
Total Thickness	<b>A</b>	N/A	Center Array	N/A
Ball Height	<b>A1</b>	0.275 Min		
Substrate Thickness	<b>A2</b>	N/A		
Top Thickness	<b>A3</b>	N/A		
Form Tolerances				
Edge	<b>aaa</b>	0.20	Bottom	<b>ddd</b> 0.15
Substrate top	<b>bbb</b>	0.20	Position	<b>eee</b> 0.20
	<b>ccc</b>	0.20	Position	<b>fff</b> 0.08

ALL DIMENSIONS ARE IN MILLIMETERS.  
\*SEE FOOTPRINT SPECIFICATION FOR PATTERN DETAILS.



**Generic Representation with Full Grid Array**



<p><b>HSIO technologies</b> PROPRIETARY AND CONFIDENTIAL</p> <p>THE INFORMATION CONTAINED IN THIS DRAWING IS THE SOLE PROPERTY OF HSIO TECHNOLOGIES, LLC. ANY REPRODUCTION IN PART OR AS A WHOLE WITHOUT THE WRITTEN PERMISSION OF HSIO TECHNOLOGIES, LLC IS PROHIBITED.</p>	UNLESS OTHERWISE SPECIFIED:	NAME	DATE	<b>HSIO TECHNOLOGIES, LLC.</b> 13400 68th AVENUE NORTH MAPLE GROVE, MINNESOTA 55311 763-447-6260		
	DIMENSIONS ARE IN MILLIMETERS	DRAWN	PAR		05/20/16	
	TOLERANCES:	CHECKED	NSJ	05/20/16	TITLE: SCKT, 63GRY 9 X 11-0.80, SAC305	
	ANGULAR: ± 1° X.X ±0.25 X.XX ±0.10 X.XXX ±0.050	LEGEND:				
INTERPRET GEOMETRIC TOLERANCING PER:	△ NOTE CALLOUT			DWG. NO.	REV	
MATERIAL	◇ REVISION CHANGE			105526-0097	A	
FINISH	○ ITEM NUMBER			SCALE: 10:1	SIZE: C	SHEET 2 OF 2
DO NOT SCALE DRAWING						