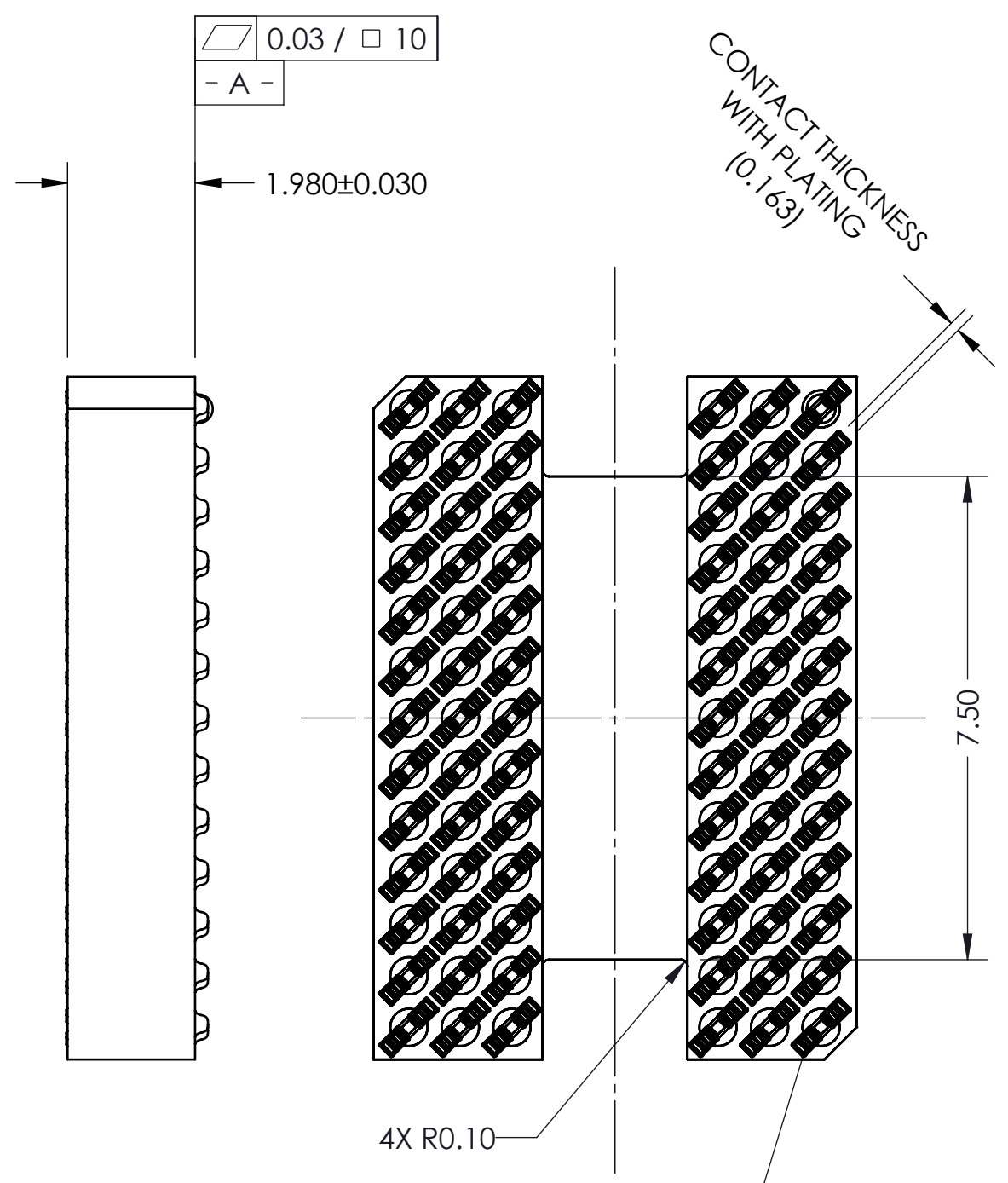
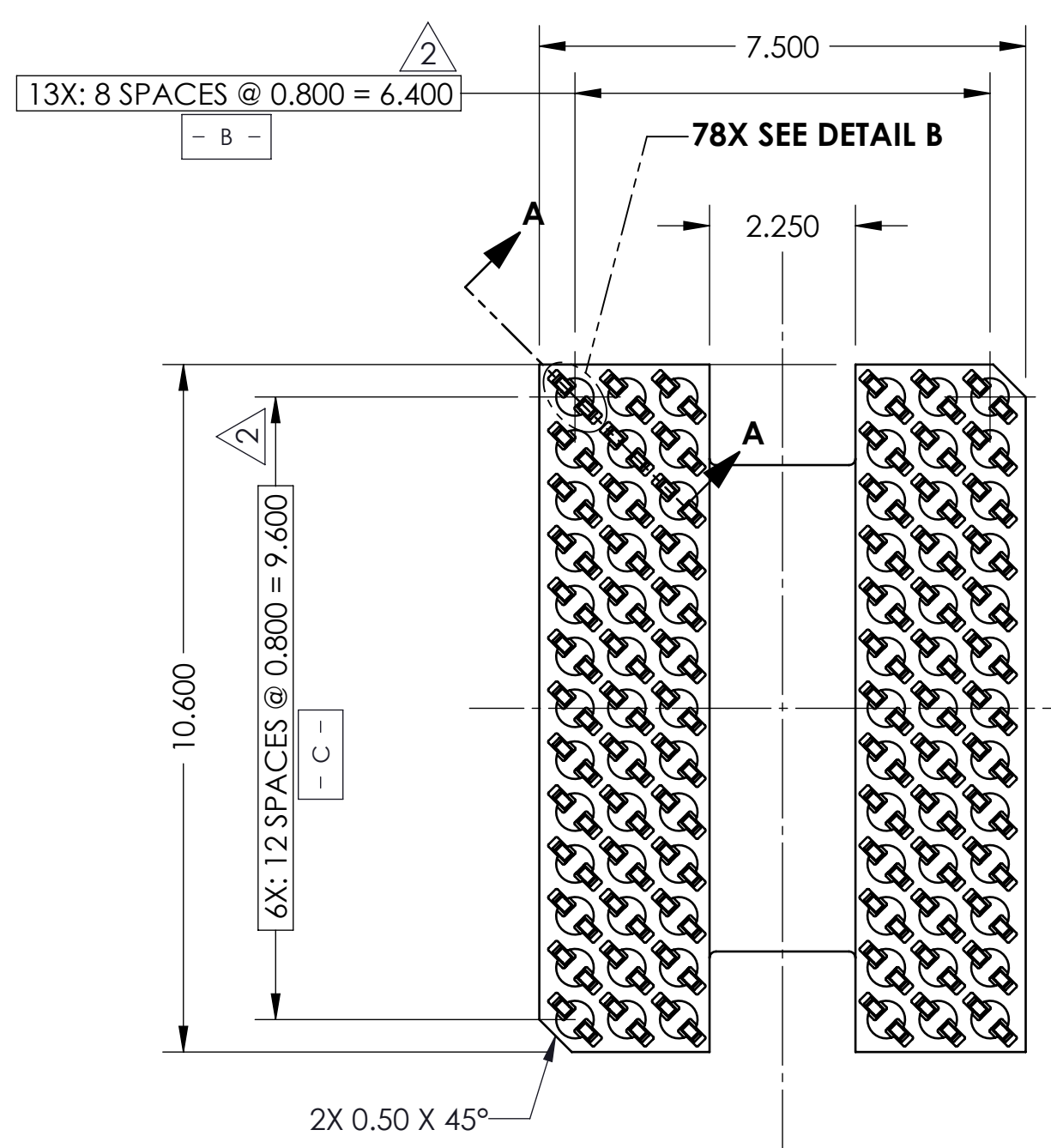
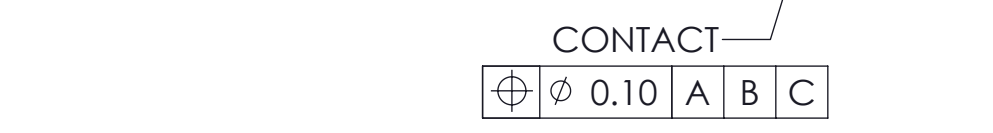
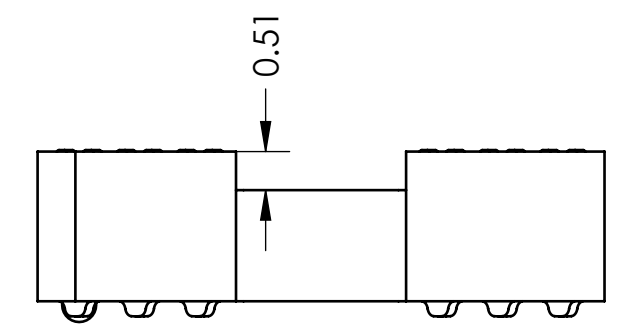


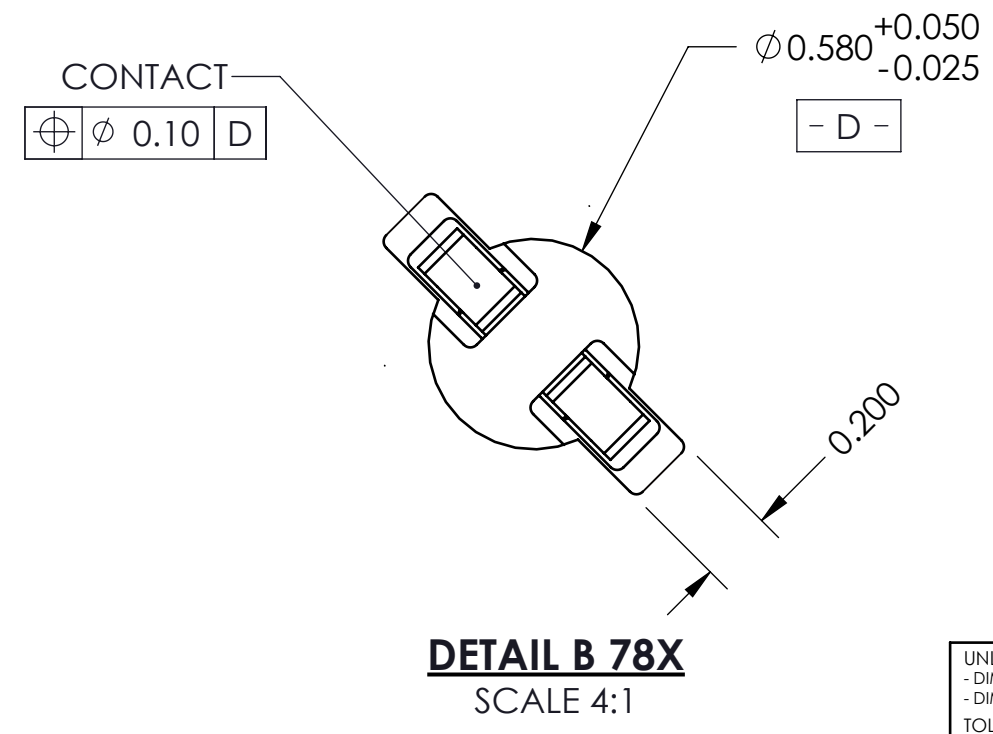
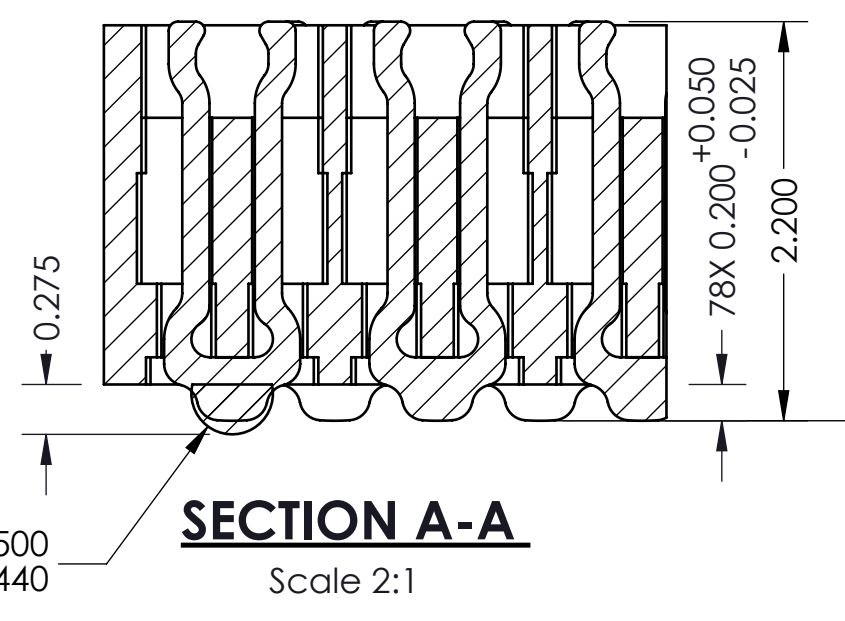
REV	ECO	BY	DESCRIPTION	APV	DATE
A	5408	DJP	Initial Design	AJN	4/9/20



- Notes:
- Footprint part number is 104311-0233
 - Locates center of contact slots.
 - Press size: 7.5 x 10.6
 - Datum B and C determined by $\phi 0.580$ opening in corner slots.
 - Unless otherwise noted, all features located $\oplus 0.10$ A B C



PARTS LIST	
Part Number	Description
107022-0048	SCKT, 78GRY7.5X10.6-0.80, EUT
105528-0073	CS, 90GRY9X13-0.80
103864-0119	PRESS, DEV INS, 7.5X10.6 (SOLD SEP.)
107030-0038	STEN,FLEX, 78GRY7.5X10.6-0.80 (SOLD SEP.)



UNLESS OTHERWISE SPECIFIED - DIMENSIONS ARE IN MILLIMETERS - DIMS APPLY AFTER PLATING - TOLERANCES UNLESS OTHERWISE NOTED:

ANGLES ±1°

DECIMALS
X.X ±0.25
X.XX ±0.10
X.XXX ±0.050

LEGEND:
X NOTE CALLOUT
A REVISION CHANGE
X ITEM NUMBER

THE INFORMATION CONTAINED IN THIS DRAWING IS THE SOLE PROPERTY OF IRONWOOD ELECTRONICS, INC. ANY REPRODUCTION IN PART OR WHOLE WITHOUT THE WRITTEN PERMISSION OF IRONWOOD ELECTRONICS, INC. IS PROHIBITED.

CAD GENERATED DRAWING DO NOT MANUALLY UPDATE

DRAWING APPROVALS

NAME	DATE
DJP	4/9/20
AJN	4/9/20

THIRD ANGLE PROJECTION

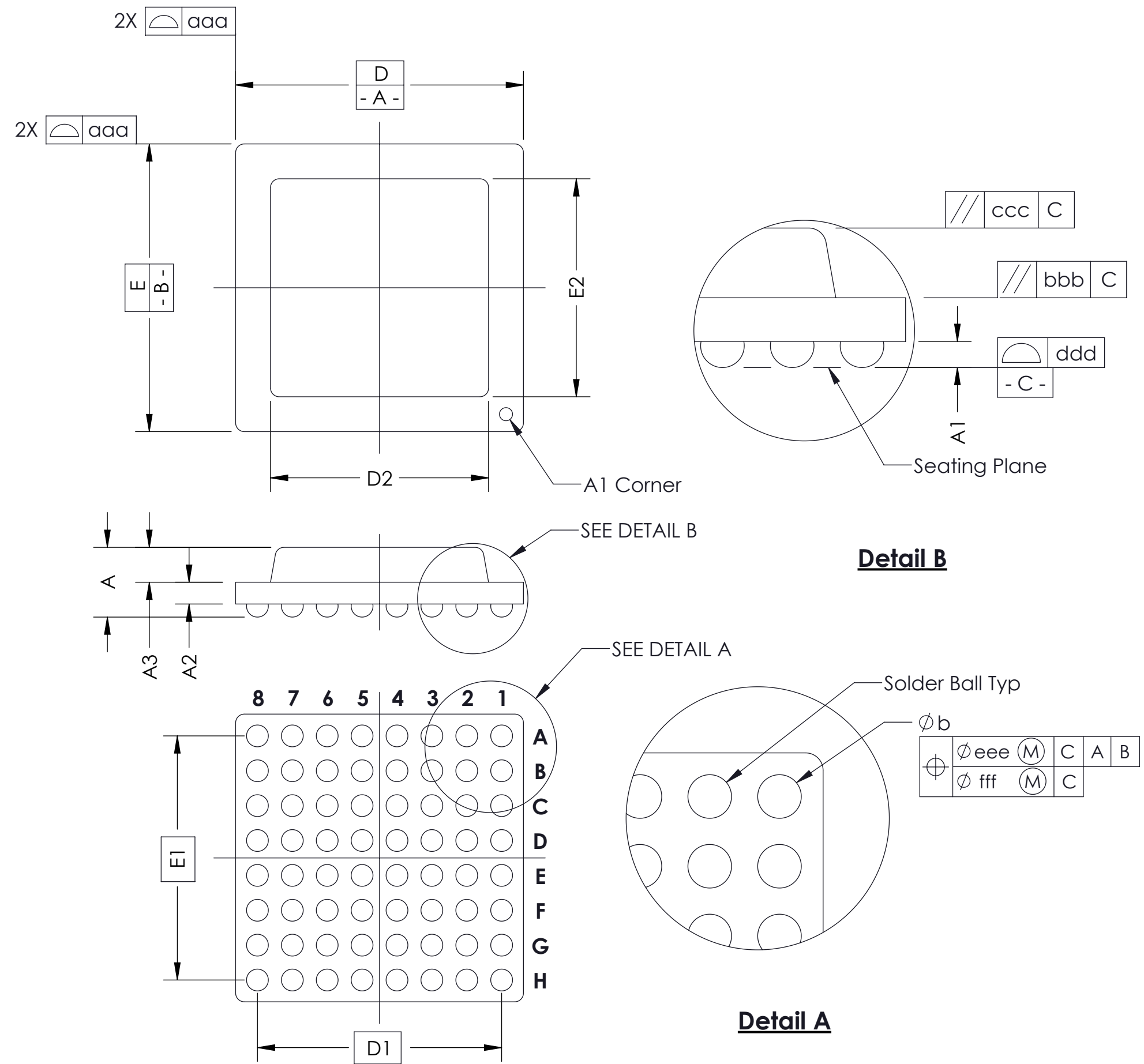
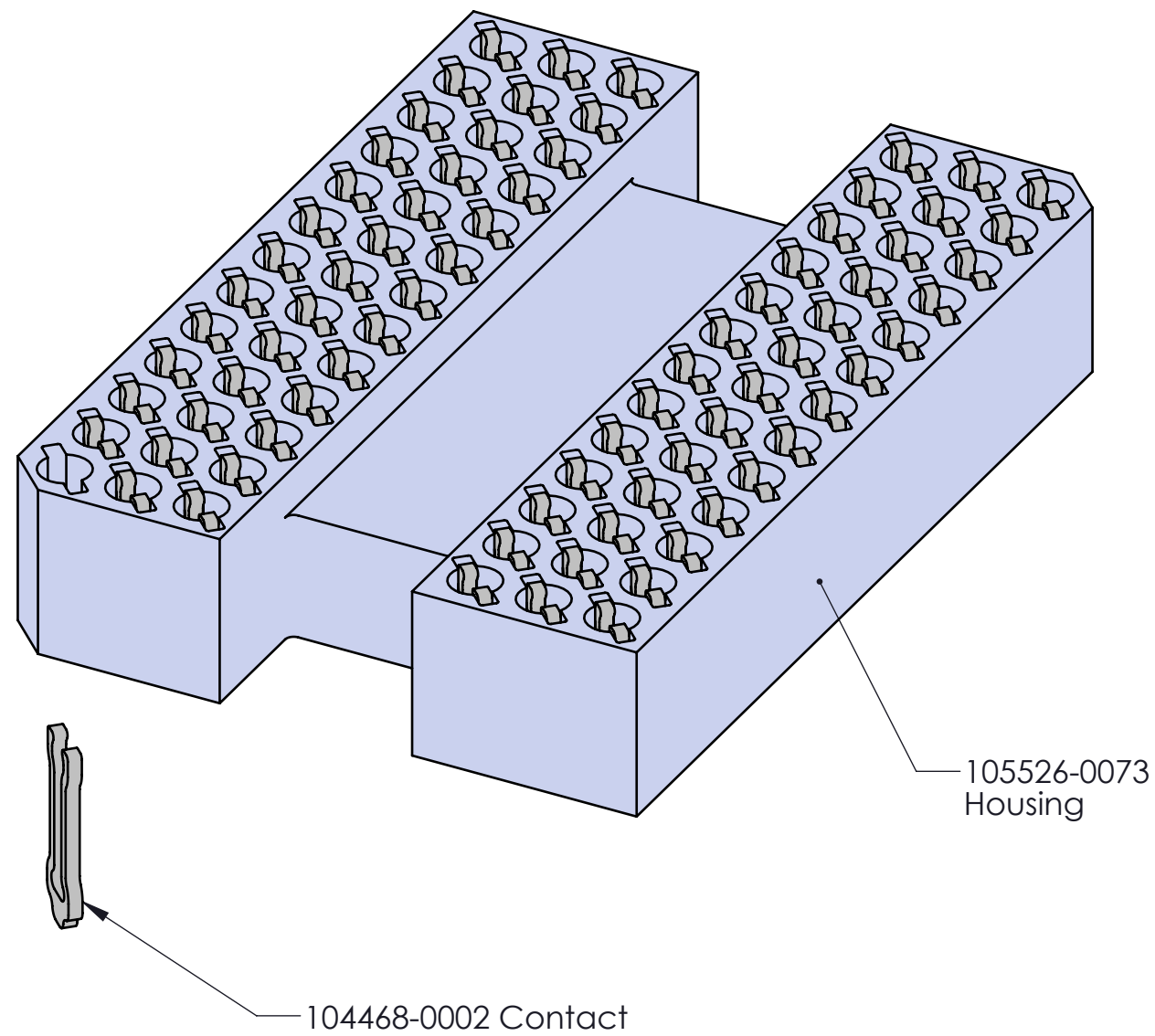
IRONWOOD ELECTRONICS, INC
EAGANDALE CT
EAGAN, MN 55121. 952-229-8200

SCKT, 78GRY7.5X10.6-0.80, DS

SIZE C	CAD FORMAT SOLIDWORKS	DRAWING NO. 107022-0048	REV. A
SCALE	MATERIAL SEE BOM	SHEET 1 of 2	

SOCKET FOR DEVICES THAT ARE WITHIN THESE SPECIFICATIONS					
Lead Count	N	78	Package Size	D	7.50
Columns	ND	6		E	10.60
Rows	NE	13	Ball Spacing	D1	6.40
Pitch	e	0.80		E1	9.60
Ball Size	b	0.45±0.05	Encapsulant/ Top Size	D2	n/a
Total Thickness	A	N/A		E2	n/a
Ball Height	A1	0.275 Min	Pattern Style	Irregular*	
Substrate Thickness	A2	N/A	Perimeter Rows	n/a	
Top Thickness	A3		Center Array	n/a	
Form Tolerances					
Edge	aaa	0.20	Bottom	ddd	0.15
Substrate	bbb	0.20	Position	eee	0.20
Top	ccc	0.20	Position	fff	0.08

All dimensions are in millimeters.
*See footprint specification for pattern details.



Generic Representation with Full Grid Array

THE INFORMATION CONTAINED IN THIS DRAWING IS THE SOLE PROPERTY OF IRONWOOD ELECTRONICS, INC. ANY REPRODUCTION IN PART OR WHOLE WITHOUT THE WRITTEN PERMISSION OF IRONWOOD ELECTRONICS, INC. IS PROHIBITED.			
UNLESS OTHERWISE SPECIFIED - DIMENSIONS ARE IN MILLIMETERS - DIMS APPLY AFTER PLATING TOLERANCES UNLESS OTHERWISE NOTED: DECIMALS ANGLES X.X ±0.25 ±1° X.XX ±0.10 X.XXX ±0.050		IRONWOOD ELECTRONICS, INC 1335 EAGANDALE CT EAGAN, MN 55121. 952-229-2800	
LEGEND: X NOTE CALLOUT A REVISION CHANGE X ITEM NUMBER		TITLE SCKT, 78GRY7.5X10.6-0.80, DS	
SIZE C	CAD FORMAT SOLIDWORKS	DRAWING NO. 107022-0048	REV. A
SCALE	MATERIAL	See Page 1	
			SHEET 2 of 2