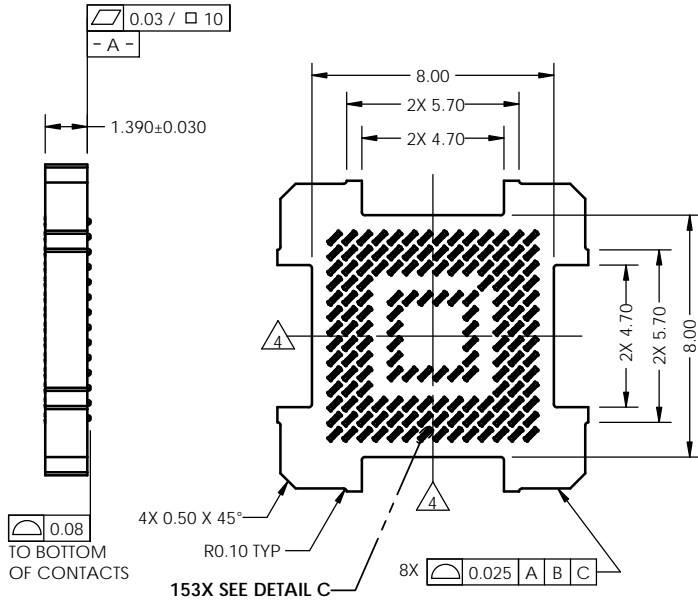
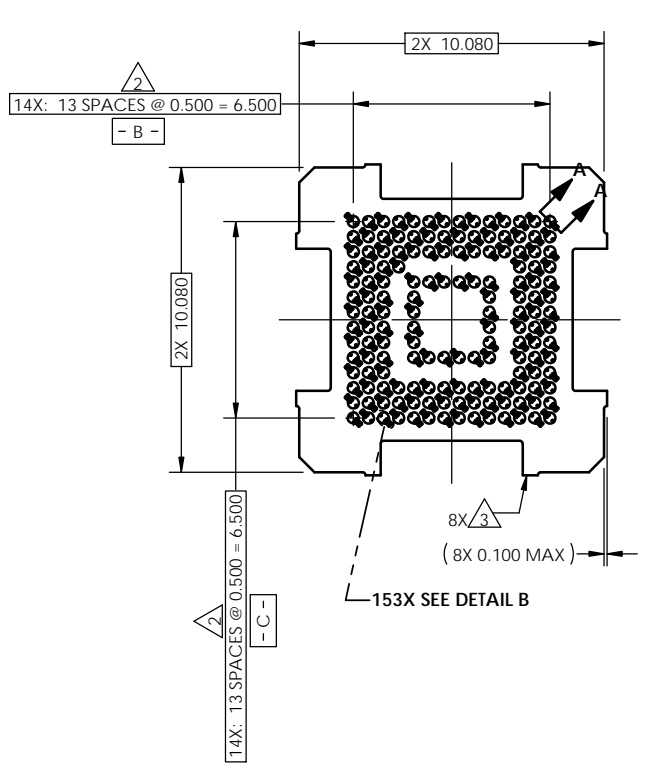
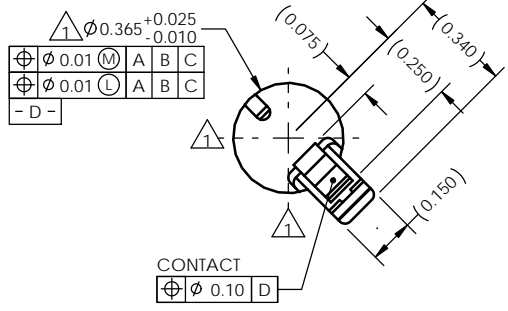


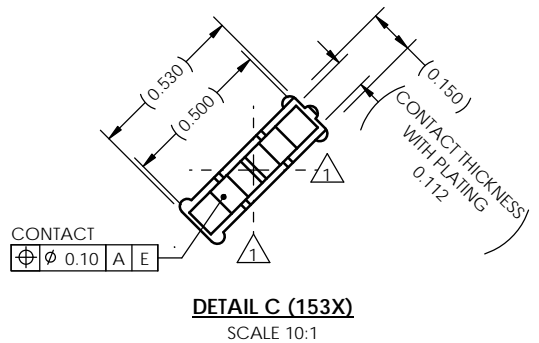
REV	ECO	BY	DESCRIPTION	APV	DATE
A	31419	AS	Initial Design	MP	11/11/13



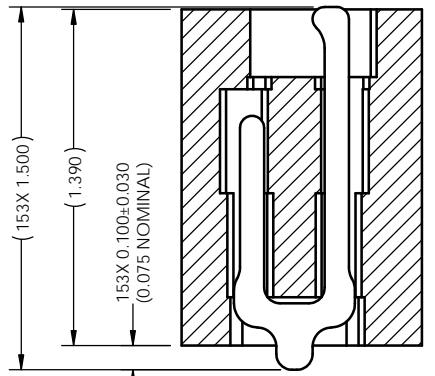
- Notes:
- 1 Locates center of contact/ slot.
 - 2. Datums **- B -** and **- C -** are determined by $\phi 0.365$ features on corner slots.
 - 3 Tooling marks permitted. Maximum 0.10 protrusion (shown).
 - 4 **- E -** Center of contact pattern.



DETAIL B (153X)
SCALE 10:1



DETAIL C (153X)
SCALE 10:1



SECTION A-A
SCALE 8:1

HSIO technologies
 PROPRIETARY AND CONFIDENTIAL
 THE INFORMATION CONTAINED IN THIS DRAWING IS THE SOLE PROPERTY OF HSIO TECHNOLOGIES, LLC. ANY REPRODUCTION IN PART OR AS A WHOLE WITHOUT THE WRITTEN PERMISSION OF HSIO TECHNOLOGIES, LLC IS PROHIBITED.

UNLESS OTHERWISE SPECIFIED:
 DIMENSIONS ARE IN MILLIMETERS
 TOLERANCES:
 ANGULAR: ± 1°
 XX ±0.25
 XXX ±0.10
 XXXX ±0.050

DRAWN	AS	11/11/13
CHECKED	MP	11/11/13

LEGEND:
 △ NOTE CALLOUT
 ○ REVISION CHANGE
 ○ ITEM NUMBER

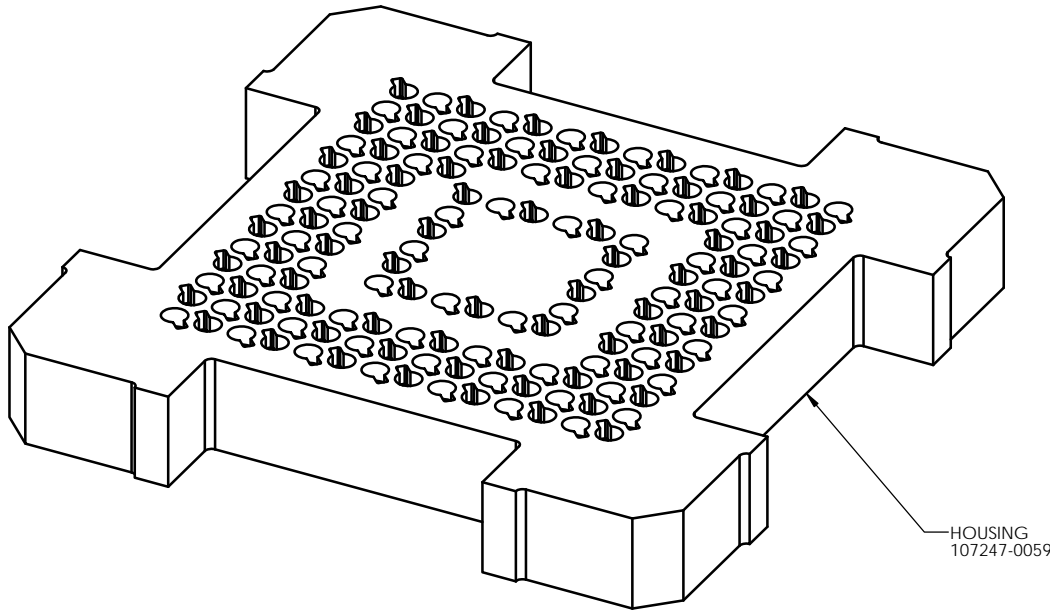
NAME	DATE
AS	11/11/13
MP	11/11/13

HSIO TECHNOLOGIES, LLC.
 13300 67th AVENUE NORTH
 MAPLE GROVE, MINNESOTA 55311
 763-447-6260

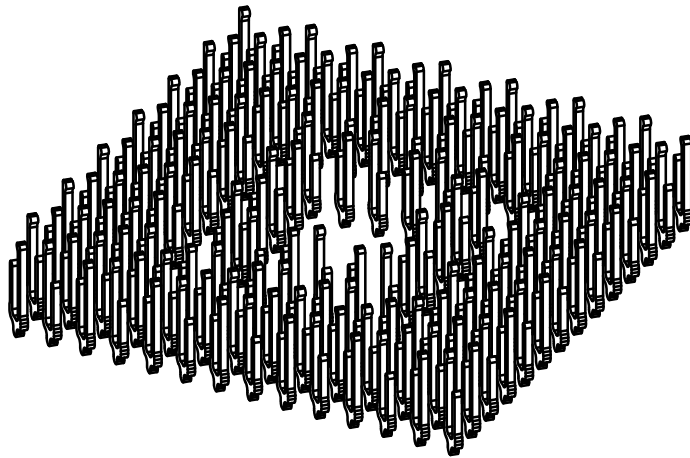
TITLE:
 CS, 153G4010-0.50,
 W/O SOLDER BALLS

DWG. NO.	REV
107248-0059	A

SCALE: 10:1 | SIZE: C | SHEET 1 OF 2



HOUSING
107247-0059



153X CONTACT
104468-0015

PROPRIETARY AND CONFIDENTIAL
THE INFORMATION CONTAINED IN THIS DRAWING IS THE SOLE PROPERTY OF HSIQ TECHNOLOGIES, LLC. ANY REPRODUCTION IN PART OR AS A WHOLE WITHOUT THE WRITTEN PERMISSION OF HSIQ TECHNOLOGIES, LLC IS PROHIBITED.

UNLESS OTHERWISE SPECIFIED:	NAME	DATE	HSIQ TECHNOLOGIES, LLC. 13300 67th AVENUE NORTH MAPLE GROVE, MINNESOTA 55311 763-447-6260	
DIMENSIONS ARE IN MILLIMETERS	DRAWN	AS		11/11/13
TOLERANCES: ANGULAR: ± 1° XX ±0.25 XXX ±0.10 X:XXX ±0.050	CHECKED	MP		11/11/13
LEGEND: △ NOTE CALLOUT ○ REVISION CHANGE ○ ITEM NUMBER			 HSIQ technologies	
			TITLE: CS, 153G4010-0.50, W/O SOLDER BALLS	
			DWG. NO. REV	
			107248-0059 A	
			SCALE: 5:1 SIZE: C SHEET 2 OF 2	