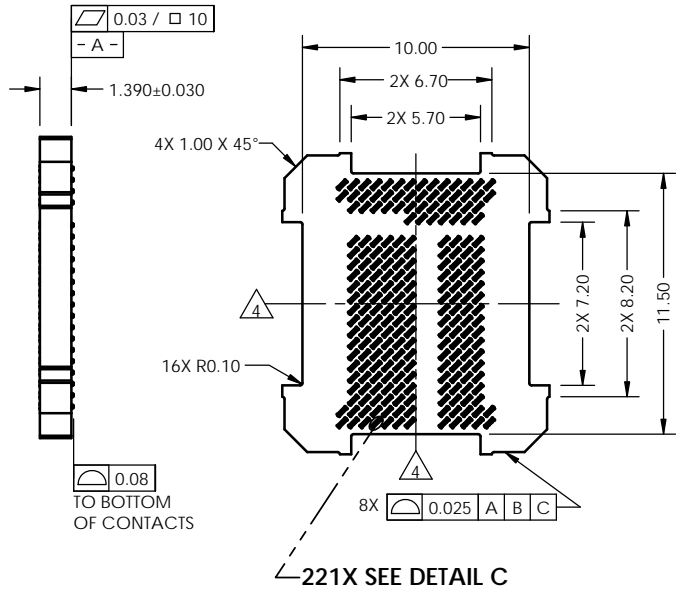
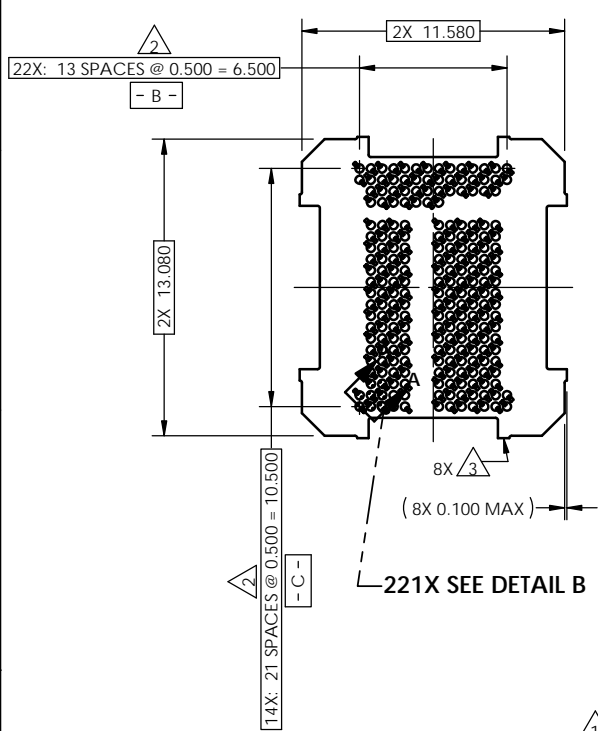
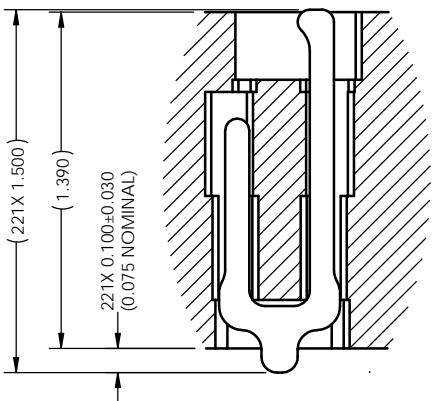


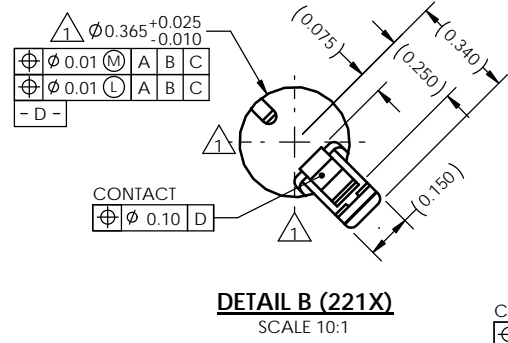
REV	ECO	BY	DESCRIPTION	APV	DATE
A	31471	AS	Initial Design	NSJ	01/31/14



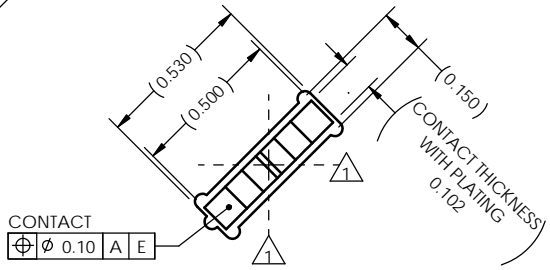
- Notes:
- 1 Locates center of contact/ slot.
 - 2. Datums **- B -** and **- C -** are determined by $\phi 0.365$ features on corner slots.
 - 3 Tooling marks permitted. Maximum 0.100 protrusion (shown).
 - 4 **- E -** Center of ball pattern.



SECTION A-A
SCALE 8:1



DETAIL B (221X)
SCALE 10:1



DETAIL C (221X)
SCALE 10:1

HSIO technologies
PROPRIETARY AND CONFIDENTIAL

THE INFORMATION CONTAINED IN THIS DRAWING IS THE SOLE PROPERTY OF HSIO TECHNOLOGIES, LLC. ANY REPRODUCTION IN PART OR AS A WHOLE WITHOUT THE WRITTEN PERMISSION OF HSIO TECHNOLOGIES, LLC IS PROHIBITED.

UNLESS OTHERWISE SPECIFIED:

DIMENSIONS ARE IN MILLIMETERS
TOLERANCES:
ANGULAR ± 1°
XX ± 0.25
XXX ± 0.10
XXXX ± 0.050

INTERPRET GEOMETRIC TOLERANCING PER:

MATERIAL
SEE BOM
FINISH

DO NOT SCALE DRAWING

NAME	DATE
AS	01/31/14
NSJ	01/31/14

LEGEND:

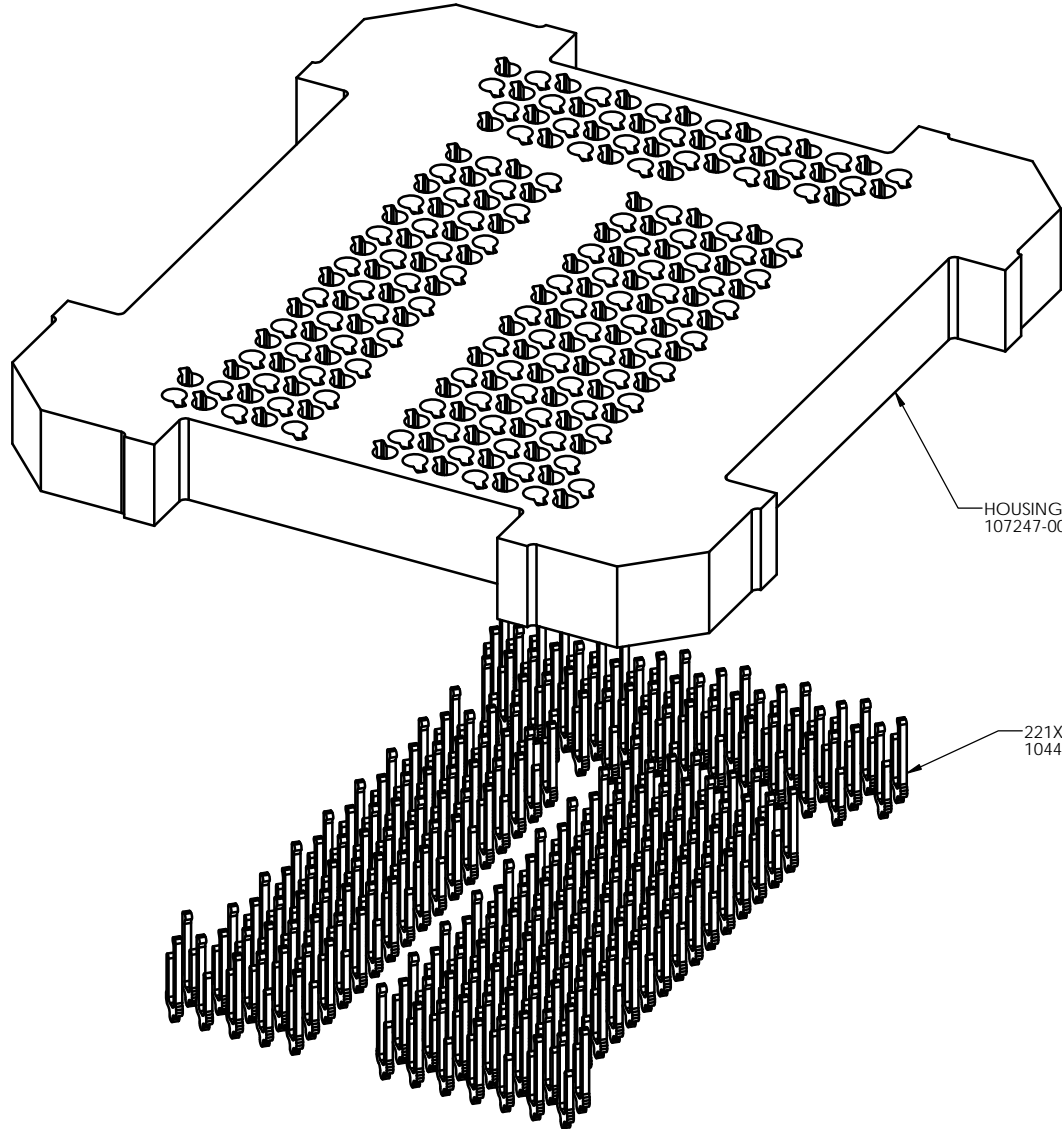
- △ NOTE CALLOUT
- REVISION CHANGE
- ITEM NUMBER

HSIO TECHNOLOGIES, LLC.
13300 67th AVENUE NORTH
MAPLE GROVE, MINNESOTA 55311
763-447-6260

TITLE:
CS, 221G4011.5X13-0.50,
W/O SOLDER BALLS

DWG. NO.	REV
107248-0061	A


SCALE: 10:1 | SIZE: C | SHEET 1 OF 2



HOUSING
107247-0061

221X CONTACT
104468-0015

PROPRIETARY AND CONFIDENTIAL
THE INFORMATION CONTAINED IN THIS DRAWING IS THE SOLE PROPERTY OF HSI0 TECHNOLOGIES, LLC. ANY REPRODUCTION IN PART OR AS A WHOLE WITHOUT THE WRITTEN PERMISSION OF HSI0 TECHNOLOGIES, LLC IS PROHIBITED.

UNLESS OTHERWISE SPECIFIED:	NAME	DATE	HSI0 TECHNOLOGIES, LLC. 13300 67th AVENUE NORTH MAPLE GROVE, MINNESOTA 55311 763-447-6260	
DIMENSIONS ARE IN MILLIMETERS	DRAWN	AS		01/31/14
TOLERANCES: ANGULAR: ± 1° XX ±0.25 XXX ±0.10 X:XXX ±0.050	CHECKED	NSJ		01/31/14
LEGEND: △ NOTE CALLOUT ○ REVISION CHANGE ○ ITEM NUMBER			 HSI0 technologies	
			TITLE: CS, 221G4011.5X13-0.50, W/O SOLDER BALLS	
			DWG. NO. 107248-0061 REV A	
			SCALE: 5:1 SIZE: C SHEET 2 OF 2	