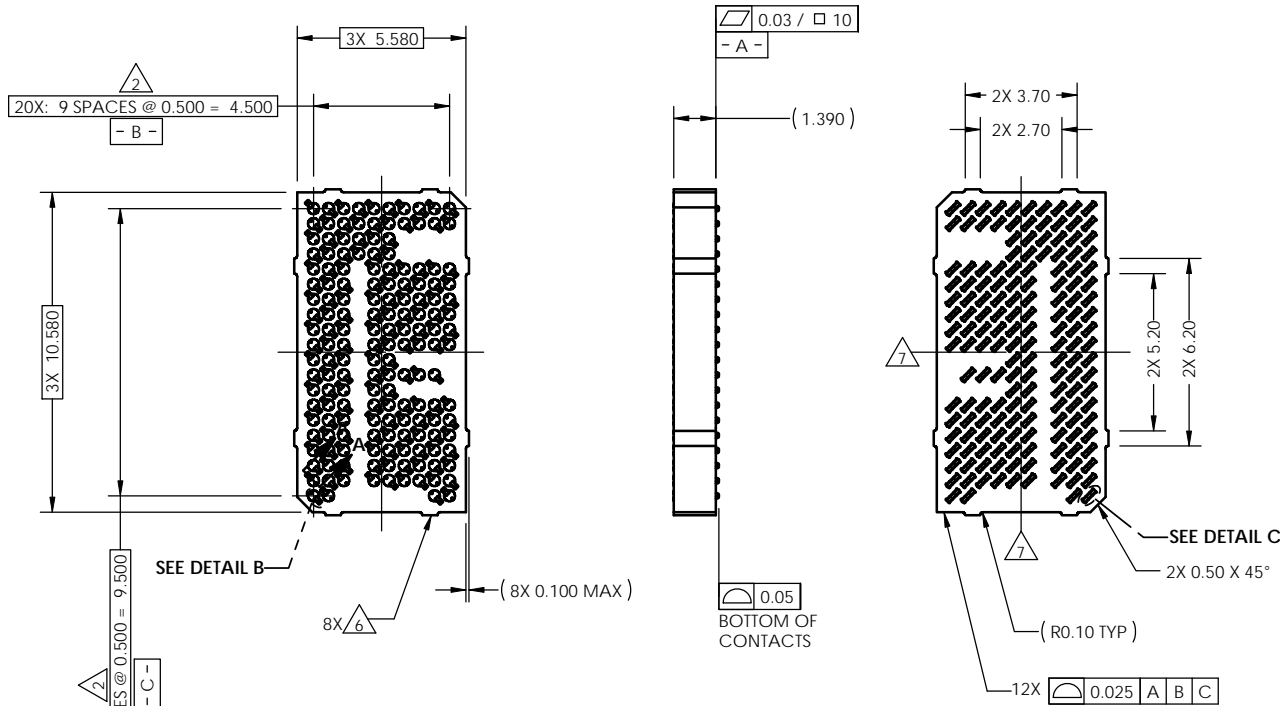
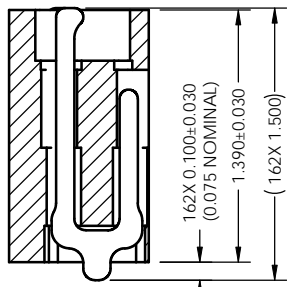


REV	ECO	BY	DESCRIPTION	APV	DATE
A	30752	SK	Initial Design	MP	03/30/11
B	30764	SK	1) Redesigned	KW	04/13/11

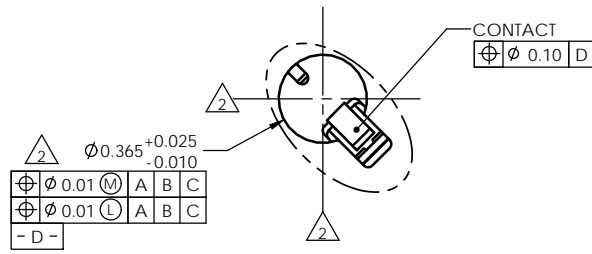


Notes:

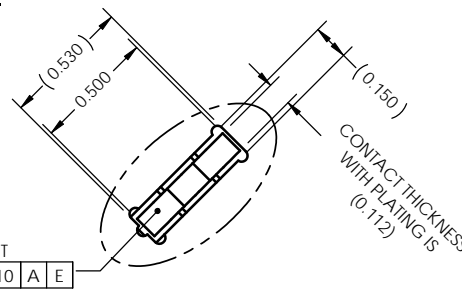
- Reference Cascade Microtech specification 103862-0004 for solder attachment.
- Dimension locates center of contact/ slot.
- Reference Cascade Microtech specification 103863-0001 for application notes.
- Footprint part number is 104311-0277.
- Datums **- B -** and **- C -** are determined by $\phi 0.365$ features on corner slots.
- Tooling marks permitted. Maximum 0.10 protrusion (shown).
- E -** Center of contact pattern.



SECTION A-A
SCALE 6:1



DETAIL B (162X)
SCALE 8:1



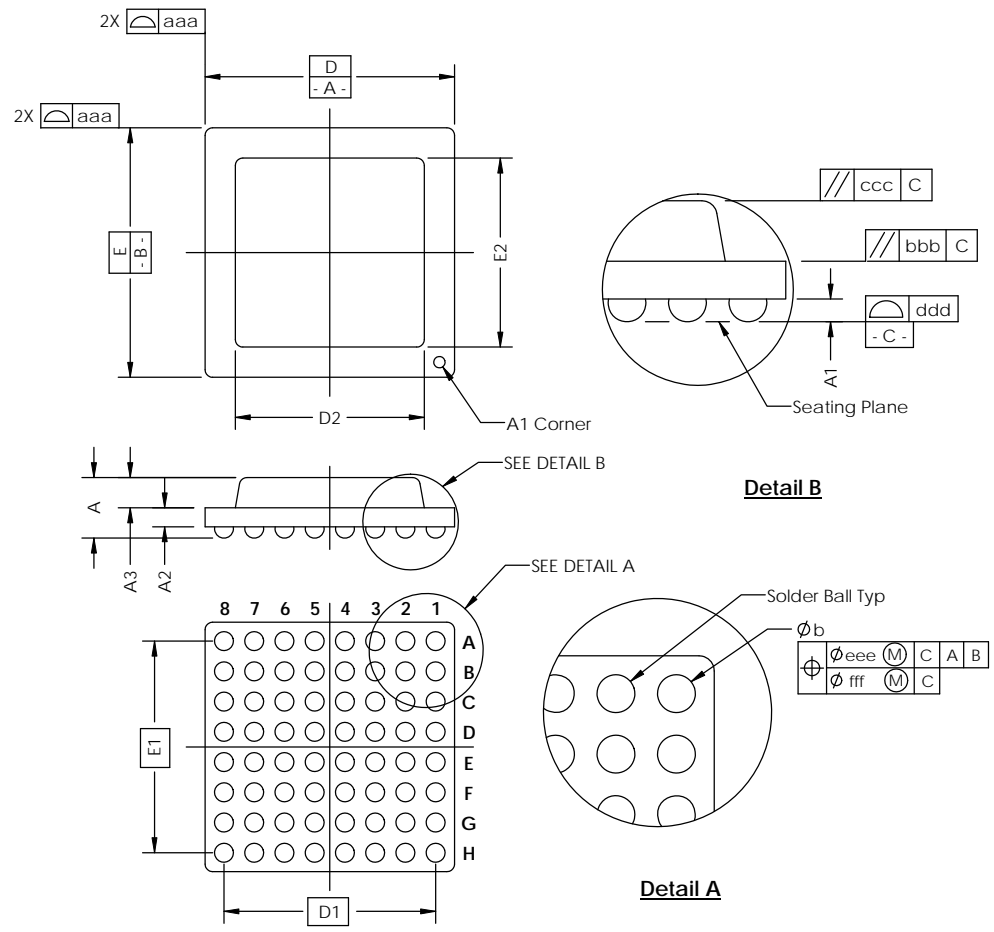
DETAIL C (162X)
SCALE 8:1

Part Number	Description
107250-0024	SCKT, 162G405.5X10.5-0.50
103864-0128	PRESS, DEVICE INSERT, GRYP 11.5 X 13 (SOLD SEPARATELY)
105900-0004	EXTRACTION TOOL, 4 X 53 (SOLD SEPARATELY)
104553-0210	STEN FLEX, 162G405.5X10.5-0.50 (SOLD SEPARATELY)

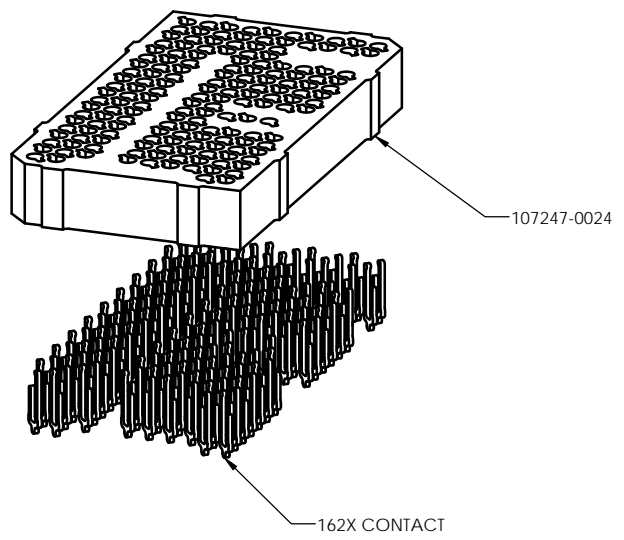
UNLESS OTHERWISE SPECIFIED DIMENSIONS ARE IN MILLIMETERS DIMS APPLY AFTER PLATING TOLERANCES UNLESS OTHERWISE NOTED		THE INFORMATION CONTAINED IN THIS DRAWING IS THE SOLE PROPERTY OF CASCADE MICROTECH, INC. ANY REPRODUCTION IN PART OR WHOLE WITHOUT THE WRITTEN PERMISSION OF CASCADE MICROTECH, INC. IS PROHIBITED.	
CAD GENERATED DRAWING DO NOT MANUALLY UPDATE		7115 NORTHLAND TERRACE SUITE 400 BROOKLYN PARK, MN 55428 (763) 509-0066	
DRAWING APPROVALS		SCKT, 162G405.5X10.5-0.50, W/O SOLDER BALLS	
NAME	DATE	SCALE	SHEET
S. Klanderud	03/30/11	C	1 of 2
APPROV	DATE	THIRD ANGLE PROJECTION 	
M. Peery	03/30/11	MATERIAL: SEE BOM PART NUMBER: 107250-0024	
LEGEND:			
(A) NOTE CALLOUT			
(R) REVISION CHANGE			
(X) ITEM NUMBER			

SOCKET FOR DEVICES THAT ARE WITHIN THESE SPECIFICATIONS					
Lead Count	N	162	Package Size	D	5.50
Columns	ND	10		E	10.50
Rows	NE	20	Ball Spacing	D1	4.500
Pitch	e	0.50		E1	9.500
Ball Size	b	0.30±0.05	Encapsulant/ Top Size	D2	n/a
Total Thickness	A	n/a		E2	n/a
Ball Height	A1	0.225 MIN	Pattern Style	IRREGULAR*	
Substrate Thickness	A2	n/a	Perimeter Rows	N/A	
Top Thickness	A3		Center Array	N/A	
Form Tolerances					
Edge	aaa	0.10	Bottom	ddd	0.08
Substrate	bbb	0.10	Position	eee	0.15
top	ccc	0.10	Position	fff	0.05

All dimensions are in millimeters.
* See footprint for pattern details.



Generic Representation with Full Grid Array



<small>THE INFORMATION CONTAINED IN THIS DRAWING IS THE SOLE PROPERTY OF CASCADE MICROTECH, INC. ANY REPRODUCTION IN PART OR WHOLE WITHOUT THE WRITTEN PERMISSION OF CASCADE MICROTECH, INC. IS PROHIBITED.</small>			
<small>UNLESS OTHERWISE SPECIFIED - DIMENSIONS ARE IN MILLIMETERS - DIMS APPLY AFTER PLATING TOLERANCES UNLESS OTHERWISE NOTED:</small>	<small>DECIMALS X.X ±0.25 X.XX ±0.10 X.XXX ±0.050</small>		7115 NORTHLAND TERRACE SUITE 400 BROOKLYN PARK, MN 55428 (763) 509-0066
SCKT, 162G405.5X10.5-0.50, W/O SOLDER BALLS		107250-0024	B
<small>LEGEND:</small> NOTE CALLOUT REVISION CHANGE ITEM NUMBER	<small>SCALE:</small> C	<small>DESIGNED BY:</small> SOLIDWORKS	<small>DATE:</small> See Page 1
		<small>SHEET</small>	<small>TOTAL SHEETS</small> 2 of 2