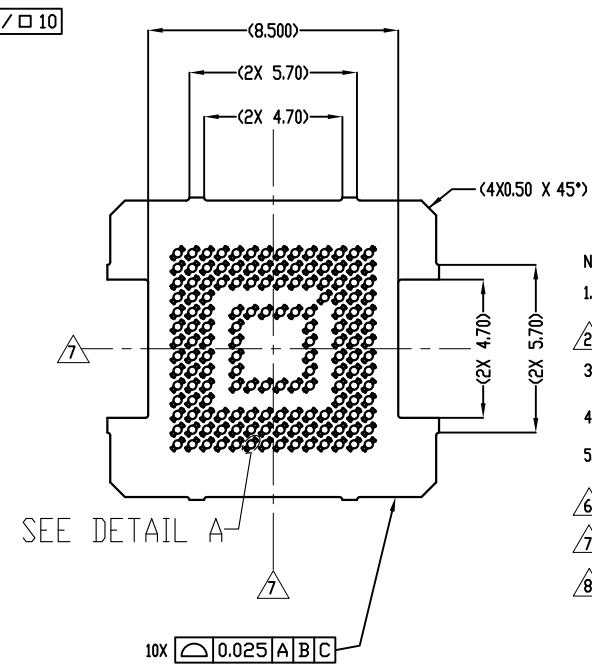
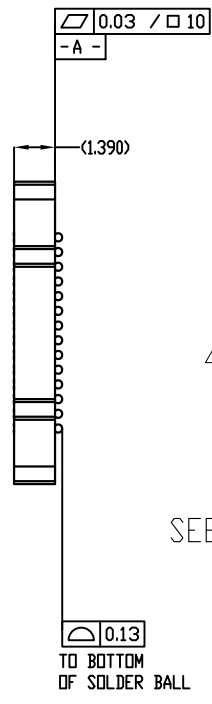
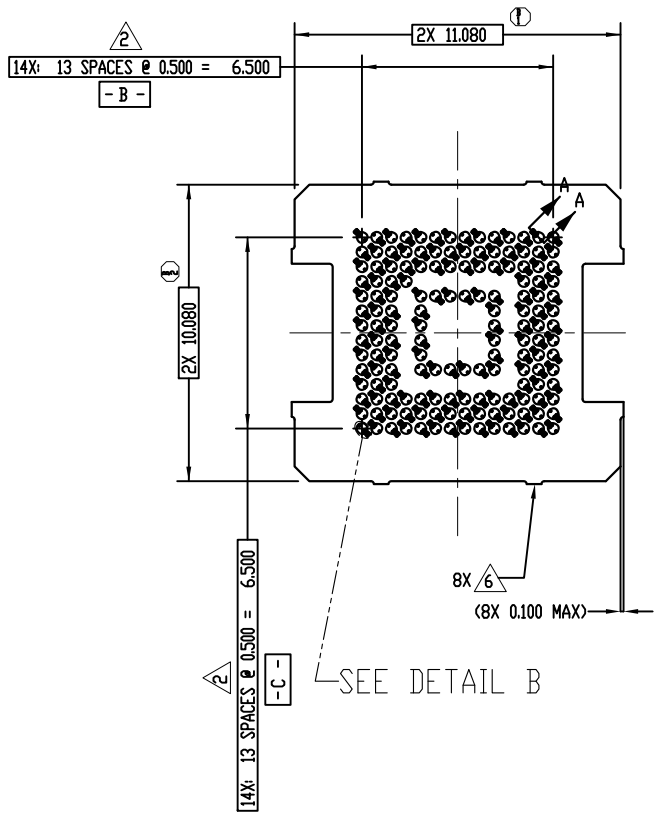
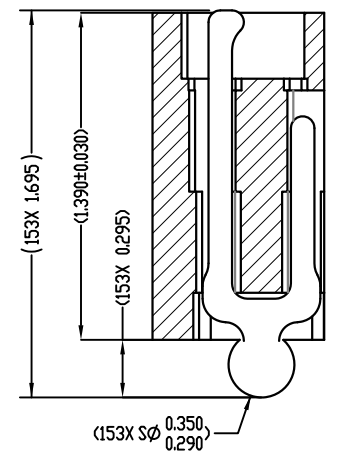


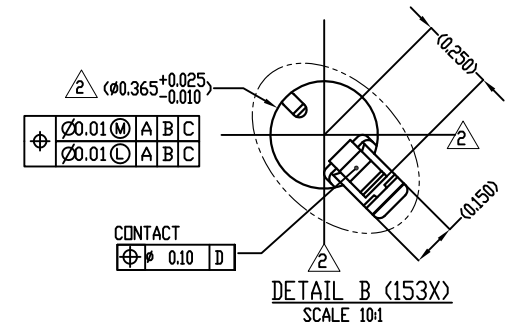
REV	ECO	BY	DESCRIPTION	APV	DATE
A	31248	MP	Initial Design	MP	01/30/13
B	31253	MP	1) Was 10.080 2) Was 11.080	MP	02/08/13



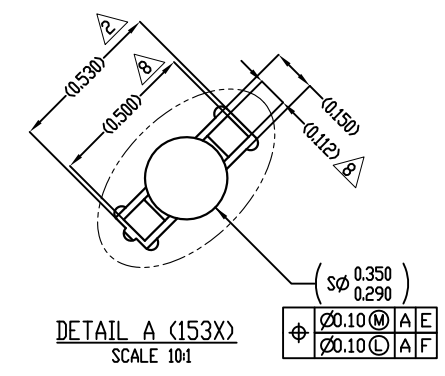
- Notes:
- Reference HSID Technologies specification 700001-0001 for solder attachment.
  - Dimension locates center of contact/ slot.
  - Reference HSID Technologies specification 700001-0002 for application notes.
  - Footprint part number is 104311-0352.
  - Datums -B- and -C- are determined by  $\phi 0.365$  features on corner slots.
  - Tooling marks permitted. Maximum 0.10 protrusion (shown).
  - E- Center of ball pattern.
  - F- Center of contact.



SECTION A-A  
SCALE 8:1

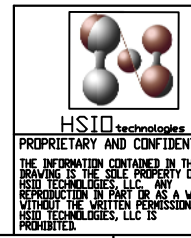


DETAIL B (153X)  
SCALE 10:1



DETAIL A (153X)  
SCALE 10:1

Parts List	
Part Number	Description
107248-0045	CS, 153G4010X11-0.50
103864-0054	PRESS, DEVICE INSERT, GRYP 10 X 11 (SOLD SEPARATELY)
105900-0004	EXTRACTION TOOL, 4 X 53 (SOLD SEPARATELY)
104553-0275	STEN FLEX, 153G4010X11-0.50 (SOLD SEPARATELY)
108639-0004	ALIGNMENT FRAME, G40 10 X 11 (SOLD SEPARATELY)



UNLESS OTHERWISE SPECIFIED  
DIMENSIONS ARE IN MILLIMETERS  
TOLERANCES:  
ANGULAR ± 1°  
XX ± 0.25  
XXX ± 0.10  
XXXX ± 0.50

INTERPRET GEOMETRIC TOLERANCING PER:  
MATERIAL  
FINISH  
DO NOT SCALE DRAWING

NAME DATE  
DRAWN H. Peery 01/30/13  
CHECKED H. Peery 01/30/13

LEGEND:  
△ NOTE CALLOUT  
○ REVISION CHANGE  
○ ITEM NUMBER

HSID TECHNOLOGIES, LLC.  
13300 67th AVENUE NORTH  
MAPLE GROVE, MINNESOTA 55311  
763-447-6260

TITLE:  
SCKT, 153G4010X11-0.50  
W/SOLDER BALLS-SAC305

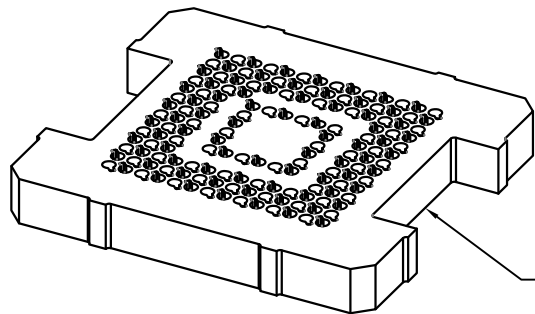
DWG. NO.  
107250-0045

REV  
B

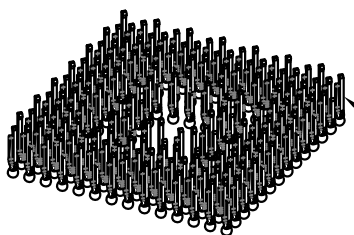
SCALE: 10:1 SIZE: C SHEET 1 OF 2

SOCKET FOR DEVICES THAT ARE WITHIN THESE SPECIFICATIONS					
Lead Count	N	153	Package Size	D	10.00
Columns	ND	14		E	11.00
Rows	NE	14	Ball Spacing	D1	6.500
Pitch	e	0.50		E1	6.500
Ball Size	b	0.30±0.05	Encapsulant/ Top Size	D2	n/a
Total Thickness	A	n/a		E2	n/a
Ball Height	A1	0.225 min.	Pattern Style	IRREGULAR*	
Substrate Thickness	A2	n/a	Perimeter Rows	3	
Top Thickness	A3		Center Array	n/a	
Form Tolerances					
Edge	aaa	0.10	Bottom	ddd	0.08
Substrate	bbb	0.10	Position	eee	0.15
top	ccc	0.10	Position	fff	0.05

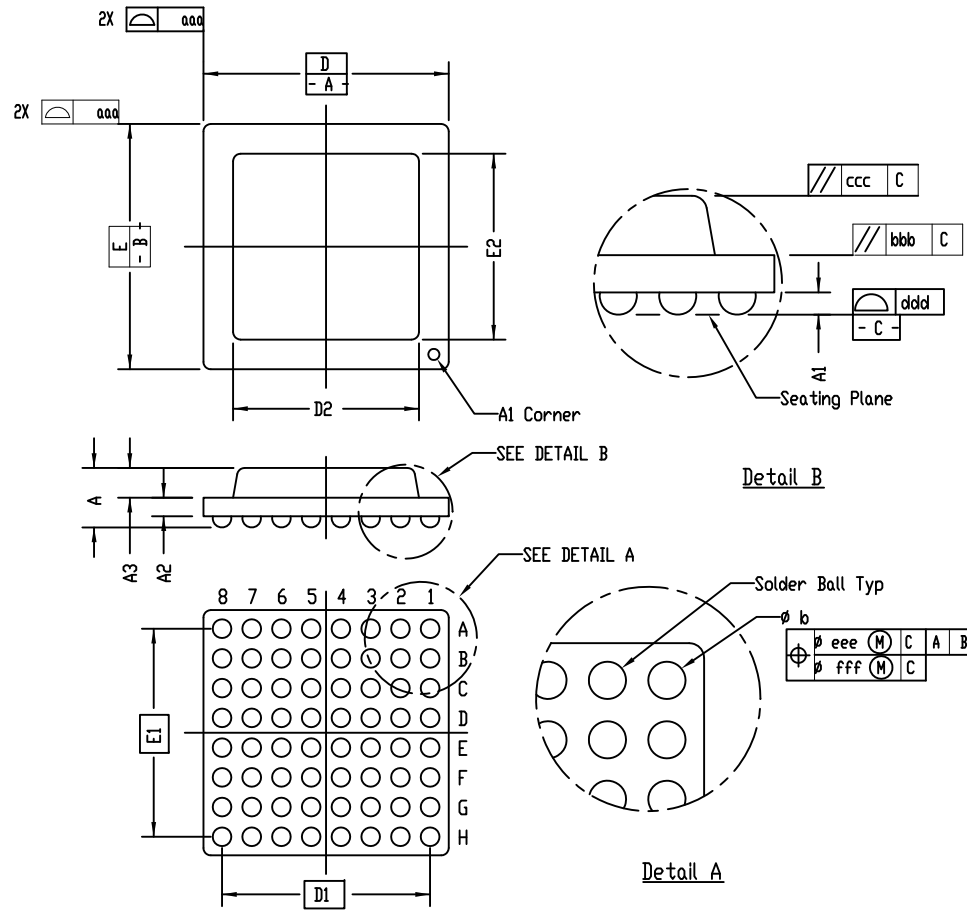
All dimensions are in millimeters.  
\* See footprint for pattern details.



HOUSING  
107247-0045



153X CONTACT  
104468-0015



Generic Representation with Full Grid Array

PROPRIETARY AND CONFIDENTIAL  
THE INFORMATION CONTAINED IN THIS DRAWING IS THE SOLE PROPERTY OF HSIO TECHNOLOGIES, LLC. ANY REPRODUCTION IN PART OR AS A WHOLE WITHOUT THE WRITTEN PERMISSION OF HSIO TECHNOLOGIES, LLC IS PROHIBITED.

UNLESS OTHERWISE SPECIFIED:	NAME	DATE	HSIO TECHNOLOGIES, LLC.
DIMENSIONS ARE IN MILLIMETERS	DRAWN	01/30/13	13300 67th AVENUE NORTH
TOLERANCES:	CHECKED	01/30/13	MAPLE GROVE, MINNESOTA 55311
ANGULAR: ± 1°			763-447-6260
XX ± 0.125			TITLE:
XXX ± 0.10			SCKT, 153G4010X11-0.50
XXXX ± 0.050			W/SOLDER BALLS-SAC305
LEGEND:	DWG. NO.		REV
△ NOTE CALLOUT	107250-0045		B
○ REVISION CHANGE	SCALE: 5:1		SIZE: C SHEET 2 OF 2
○ ITEM NUMBER			