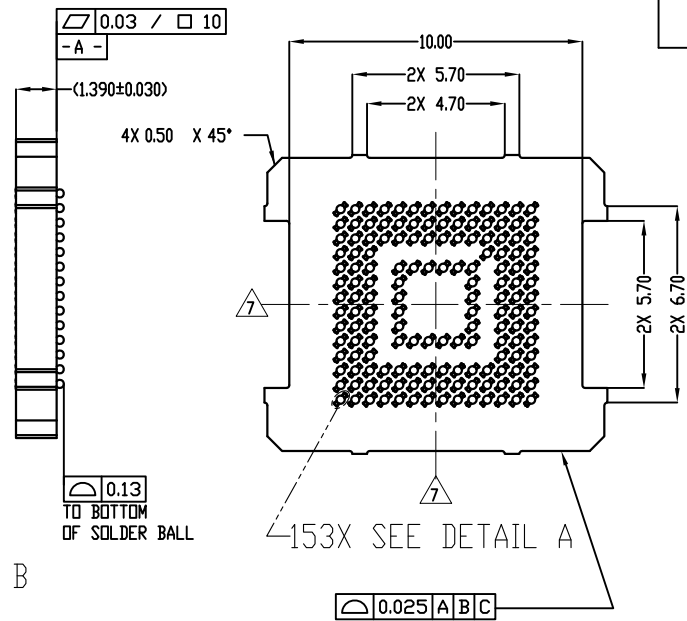
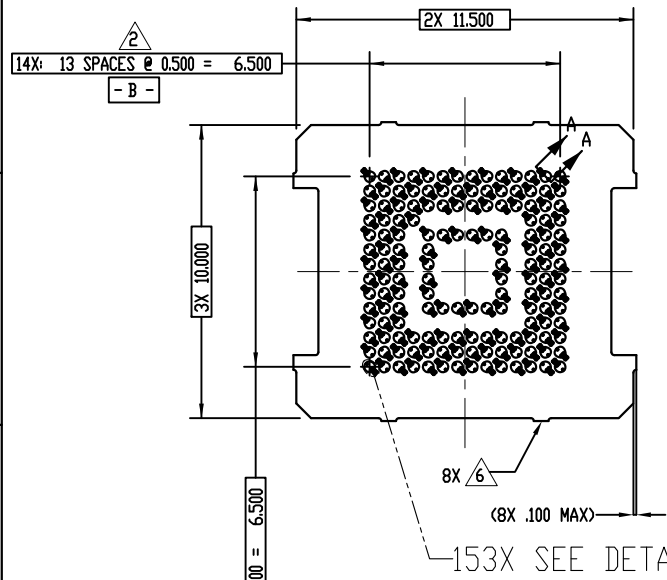
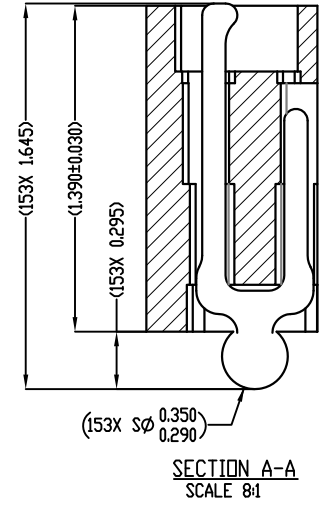
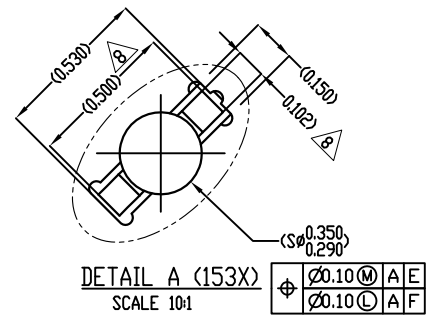
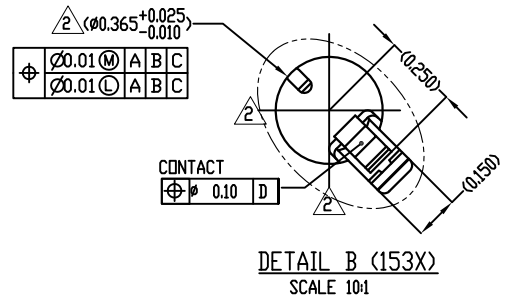


REV	ECO	BY	DESCRIPTION	APV	DATE
A	31287	AS	Initial Design	MP	05/01/13
B	31491	RS	1) Corrected parts list table 2) Updated Note 1/Updated B.O.M 3) Corrected specifications table	NSJ	04/08/14



- Notes:
- Reference HSIO Technologies specification 700001-0001 for solder attachment.
 - Locates center of contact/ slot.
 - Reference HSIO Technologies specification 700001-0002 for application notes.
 - Footprint part number is 104311-0369.
 - Datums **-B-** and **-C-** are determined by $\phi 0.365$ features on corner slots.
 - Tooling marks permitted. Maximum 0.10 protrusion (shown).
 - E-** Center of ball pattern.
 - F-** Center of contact.

Parts List	
Part Number	Description
103864-0095	PRESS, DEVICE INSERT, GRYP 11.5 X 10.0 (SOLD SEPARATELY)
105900-0004	EXTRACTION TOOL, 4 X 53 (SOLD SEPARATELY)
104553-0287	STEN FLEX, 153G40 11.5X10-0.50 (SOLD SEPARATELY)
108639-0010	ALIGNMENT, FRAME, 11.5 X 10 (SOLD SEPARATELY)



HSIO technologies
PROPRIETARY AND CONFIDENTIAL
THE INFORMATION CONTAINED IN THIS DRAWING IS THE SOLE PROPERTY OF HSIO TECHNOLOGIES, LLC. ANY REPRODUCTION IN PART OR AS A WHOLE WITHOUT THE WRITTEN PERMISSION OF HSIO TECHNOLOGIES, LLC IS PROHIBITED.

UNLESS OTHERWISE SPECIFIED:
DIMENSIONS ARE IN MILLIMETERS
TOLERANCES:
ANGULAR: $\pm 1^\circ$
XX ± 0.25
XXX ± 0.10
XXXX ± 0.050

INTERPRET GEOMETRIC TOLERANCING PER:
MATERIAL
SEE BOM
FINISH
DO NOT SCALE DRAWING

NAME	DATE
DRAWN AS	05/01/13
CHECKED MP	05/01/13

LEGEND:
 △ NOTE CALLOUT
 ○ REVISION CHANGE
 ○ ITEM NUMBER

HSIO TECHNOLOGIES, LLC.
13300 67th AVENUE NORTH
MAPLE GROVE, MINNESOTA 55311
763-447-6260

TITLE:
SCKT, 153G4011.5X10-0.50

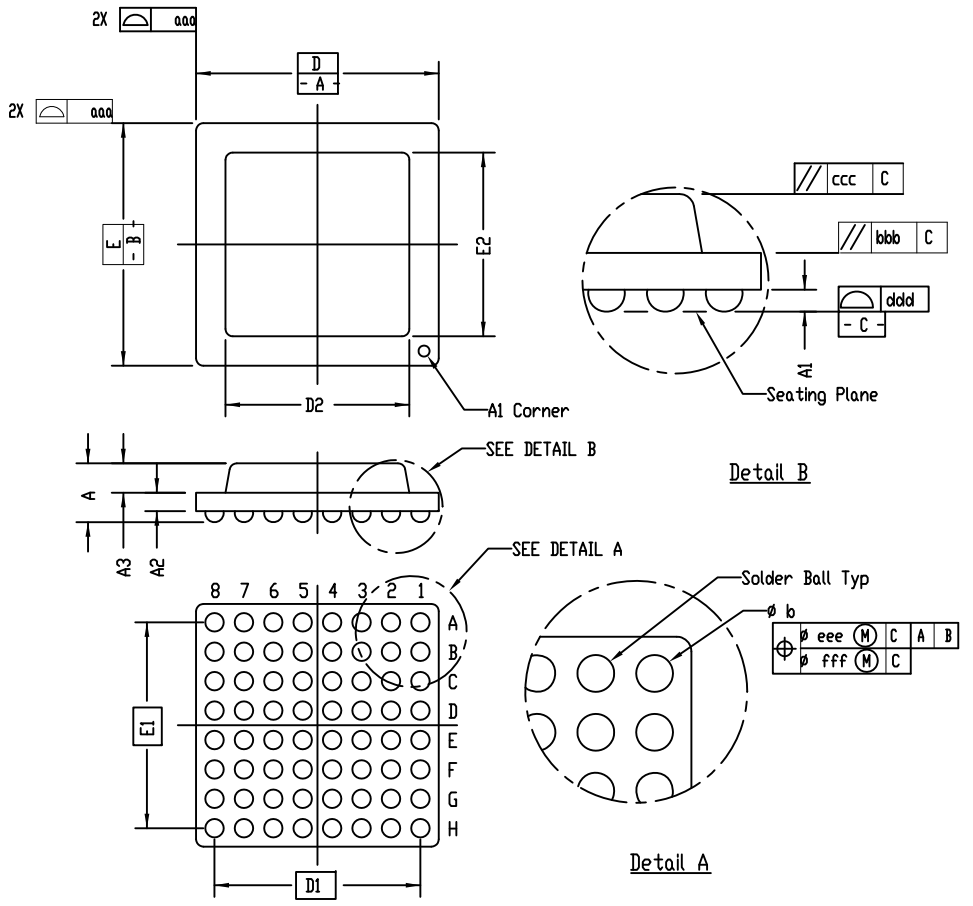
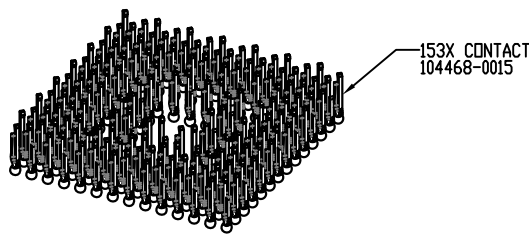
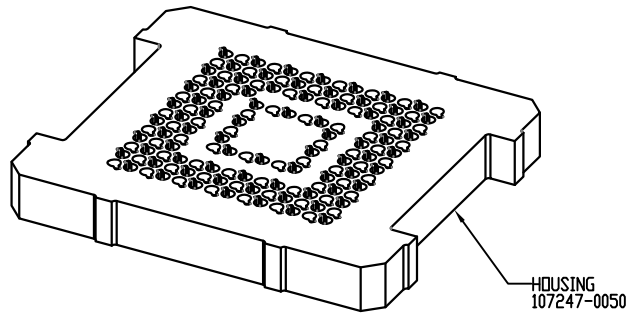
DWG. NO.
107250-0050

REV
B

SCALE: 10:1 SIZE: C SHEET 1 OF 2

SOCKET FOR DEVICES THAT ARE WITHIN THESE SPECIFICATIONS					
Lead Count	N	153	Package Size	D	11.50
Columns	ND	14		E	10.00
Rows	NE	14	Ball Spacing	D1	13.500
Pitch	e	0.50		E1	13.500
Ball Size	b	0.30±0.05	Encapsulant/ Top Size	D2	n/a
Total Thickness	A	n/a		E2	n/a
Ball Height	A1	0.225 min.	Pattern Style	IRREGULAR*	
Substrate Thickness	A2	n/a	Perimeter Rows	3	
Top Thickness	A3		Center Array	n/a	
Form Tolerances					
Edge	aaa	0.10	Bottom	ddd	0.08
Substrate	bbb	0.10	Position	eee	0.15
top	ccc	0.10	Position	fff	0.05

All dimensions are in millimeters.
* See footprint for pattern details.



Generic Representation with Full Grid Array

PROPRIETARY AND CONFIDENTIAL
THE INFORMATION CONTAINED IN THIS DRAWING IS THE SOLE PROPERTY OF HSIQ TECHNOLOGIES, LLC. ANY REPRODUCTION IN PART OR AS A WHOLE WITHOUT THE WRITTEN PERMISSION OF HSIQ TECHNOLOGIES, LLC IS PROHIBITED.

UNLESS OTHERWISE SPECIFIED: DIMENSIONS ARE IN MILLIMETERS TOLERANCES: XXX ± 0.25 XX ± 0.10 X ± 0.050	DRAWN AS 05/01/13	DATE 05/01/13	HSIQ TECHNOLOGIES, LLC. 13300 67th AVENUE NORTH MAPLE GROVE, MINNESOTA 55311 763-447-6260
LEGEND: △ NOTE CALLOUT ○ REVISION CHANGE ○ ITEM NUMBER	CHECKED MP 05/01/13		
			DWG. NO. 107250-0050
			REV B
			SCALE: 5:1 SIZE: C SHEET 2 OF 2