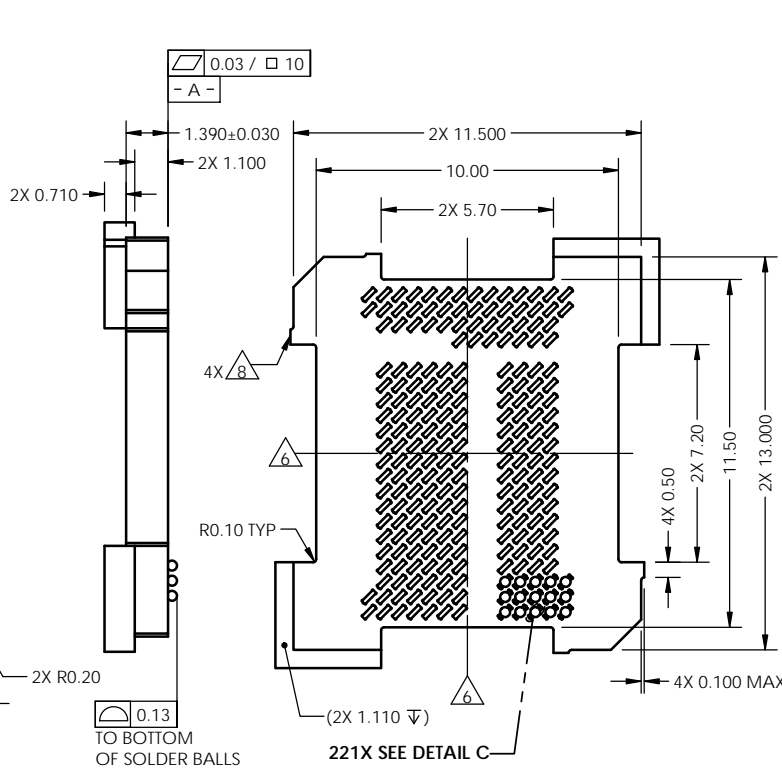
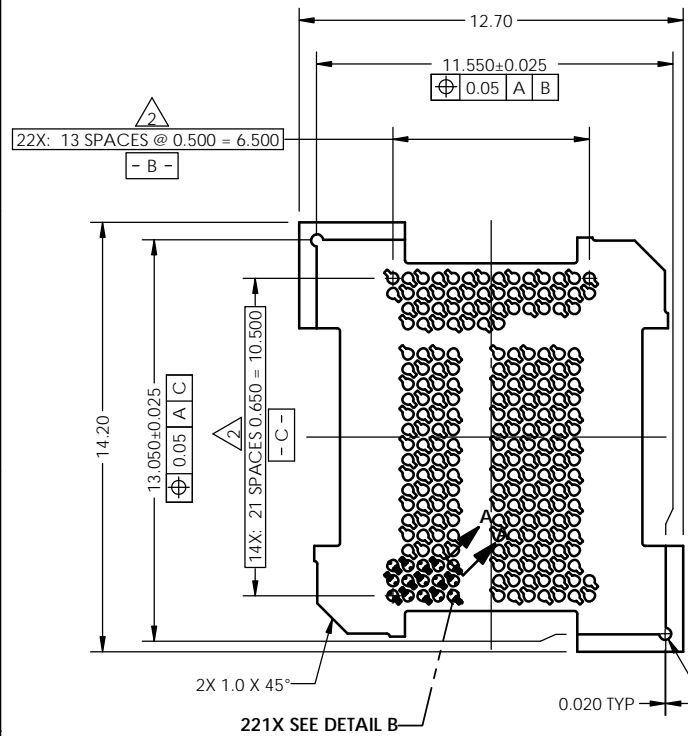
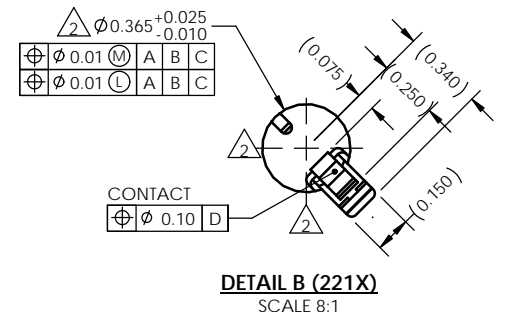
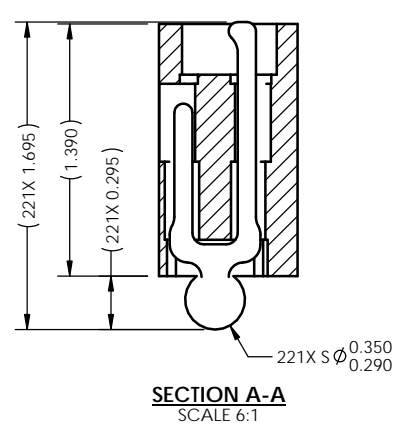
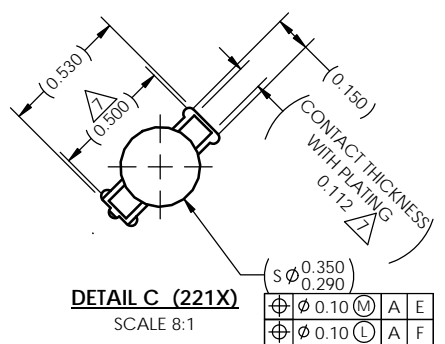
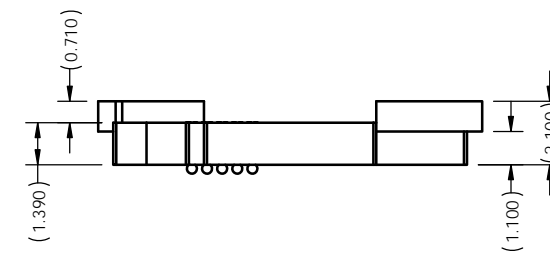


REV	ECO	BY	DESCRIPTION	APV	DATE
A	31455	AS	Initial Design	NSJ	01/13/14



- Notes:
- Reference HSI0 Technologies specification 700001-0001 for solder attachment.
 - Locates center of contact/ slot.
 - Reference HSI0 Technologies specification 700001-0002 for application notes.
 - Footprint part number is 104311-0420.
 - Datums -B- and -C- are determined by $\phi 0.365$ features on corner slots.
 - E- Center of ball pattern.
 - F- Center of contact.
 - Tooling marks permitted. Maximum 0.10 protrusion (shown).
 - Not all contacts are shown.



Parts List	
Part Number	Description
103864-0128	PRESS, DEVICE INSERT, GRYP 11.5X13.0 (SOLD SEPARATELY)
105900-0004	EXTRACTION TOOL, 4 X 53 (SOLD SEPARATELY)

UNLESS OTHERWISE SPECIFIED:

DIMENSIONS ARE IN MILLIMETERS

TOLERANCES:

ANGULAR ± 1°

XX ± 0.25

XXX ± 0.10

XXXX ± 0.050

NAME	DATE
AS	01/13/14
CHECKED	NSJ
01/13/14	

LEGEND:

- △ NOTE CALLOUT
- REVISION CHANGE
- ITEM NUMBER

HSIO TECHNOLOGIES, LLC.

13300 67th AVENUE NORTH

MAPLE GROVE, MINNESOTA 55311

763-447-6260

TITLE:

SCKT, 221G4011.5X13-0.50

DWG. NO.	REV
107250-0063	A

SCALE: 10:1 SIZE: C SHEET 1 OF 2

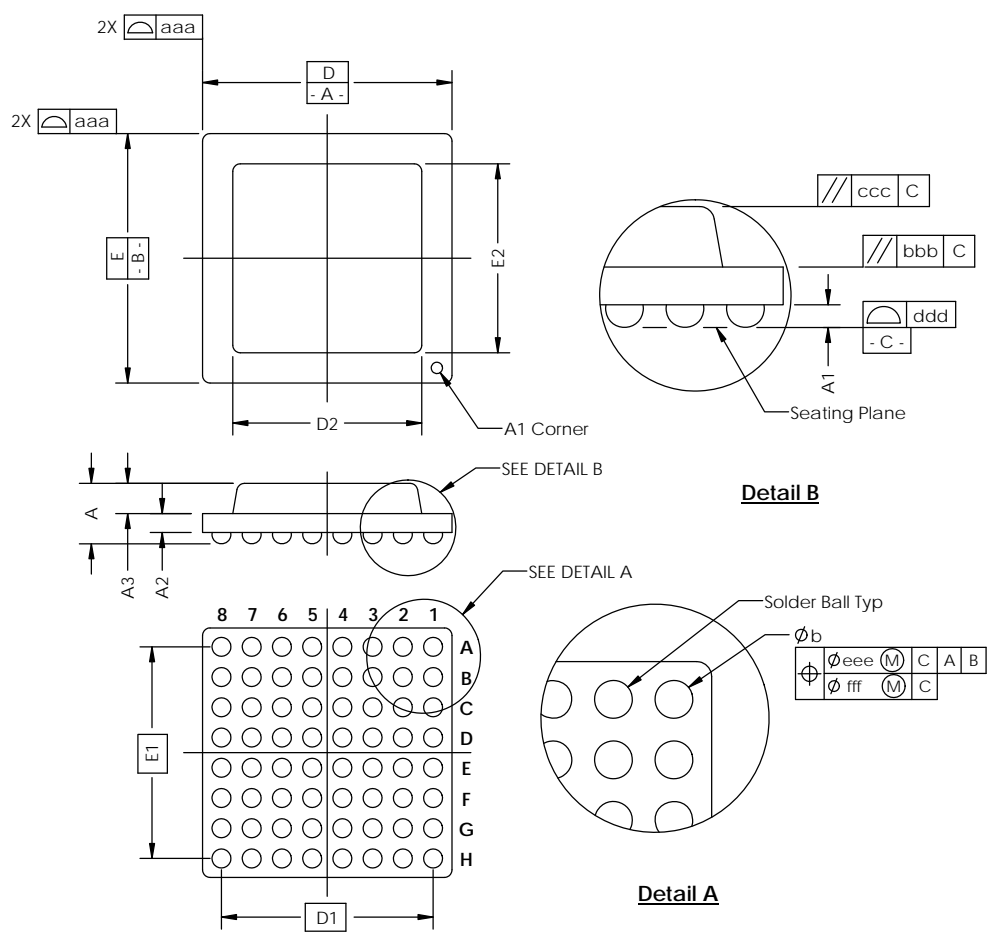
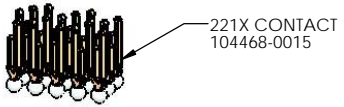
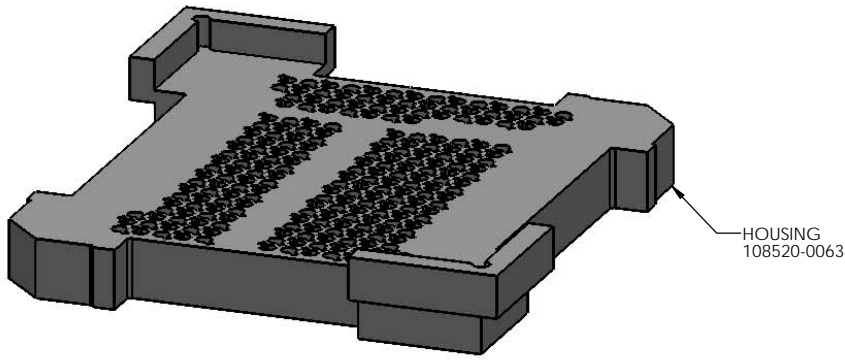
PROPRIETARY AND CONFIDENTIAL

THE INFORMATION CONTAINED IN THIS DRAWING IS THE SOLE PROPERTY OF HSI0 TECHNOLOGIES, LLC. ANY REPRODUCTION IN PART OR AS A WHOLE WITHOUT THE WRITTEN PERMISSION OF HSI0 TECHNOLOGIES, LLC IS PROHIBITED.

DO NOT SCALE DRAWING

SOCKET FOR DEVICES THAT ARE WITHIN THESE SPECIFICATIONS					
Lead Count	N	221	Package Size	D	11.50
Columns	ND	14		E	13.00
Rows	NE	22	Ball Spacing	D1	6.500
Pitch	e	0.500		E1	10.500
Ball Size	b	0.30±0.05	Encapsulant/ Top Size	D2	n/a
Total Thickness	A	n/a		E2	n/a
Ball Height	A1	0.225 min.	Pattern Style	Irregular*	
Substrate Thickness	A2	n/a	Perimeter Rows	n/a	
Top Thickness	A3		Center Array	n/a	
Form Tolerances					
Edge	aaa	0.10	Bottom	ddd	0.08
Substrate	bbb	0.10	Position	eee	0.15
top	ccc	0.10	Position	fff	0.05


All dimensions are in millimeters.
* See footprint for pattern details.



Generic Representation with Full Grid Array

PROPRIETARY AND CONFIDENTIAL

THE INFORMATION CONTAINED IN THIS DRAWING IS THE SOLE PROPERTY OF HSIQ TECHNOLOGIES, LLC. ANY REPRODUCTION IN PART OR AS A WHOLE WITHOUT THE WRITTEN PERMISSION OF HSIQ TECHNOLOGIES, LLC IS PROHIBITED.

UNLESS OTHERWISE SPECIFIED:		NAME	DATE	HSIQ TECHNOLOGIES, LLC. 13300 67th AVENUE NORTH MAPLE GROVE, MINNESOTA 55311 763-447-6260	
DIMENSIONS ARE IN MILLIMETERS		DRAWN	AS 01/13/14		
TOLERANCES: ANGULAR: ±1° XX ±0.05 XXX ±0.10 XXXX ±0.050		CHECKED	NSJ 01/13/14		
LEGEND:		 HSIQ technologies		TITLE:	
△ NOTE CALLOUT ○ REVISION CHANGE ○ ITEM NUMBER				SCKT, 221G4011.5X13-0.50	
				DWG. NO. 107250-0063 REV A	
		SCALE: 5:1 SIZE: C SHEET 2 OF 2			