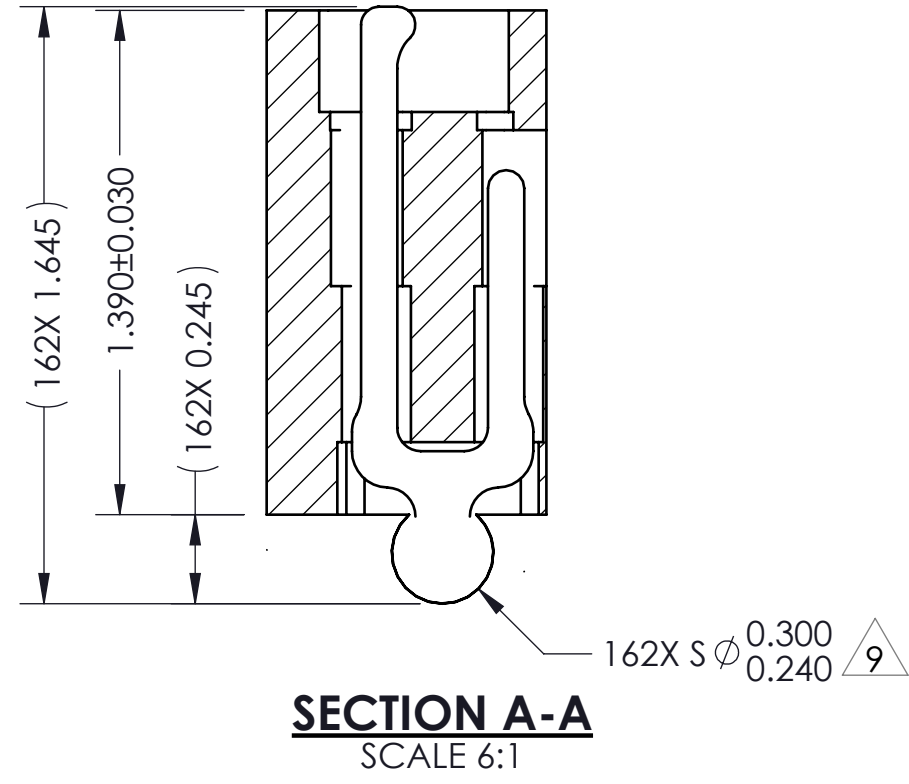
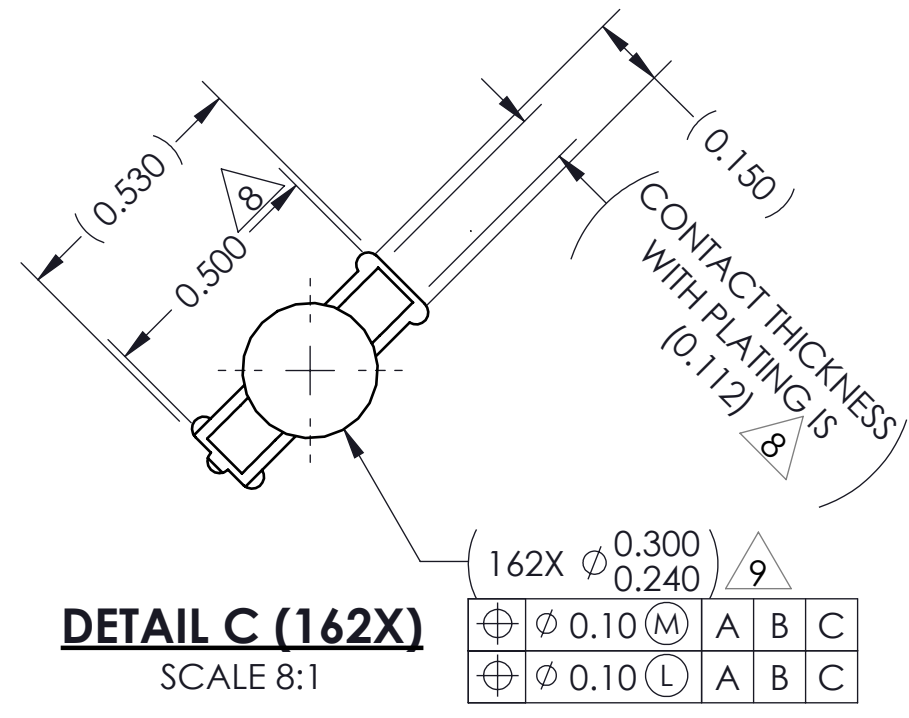
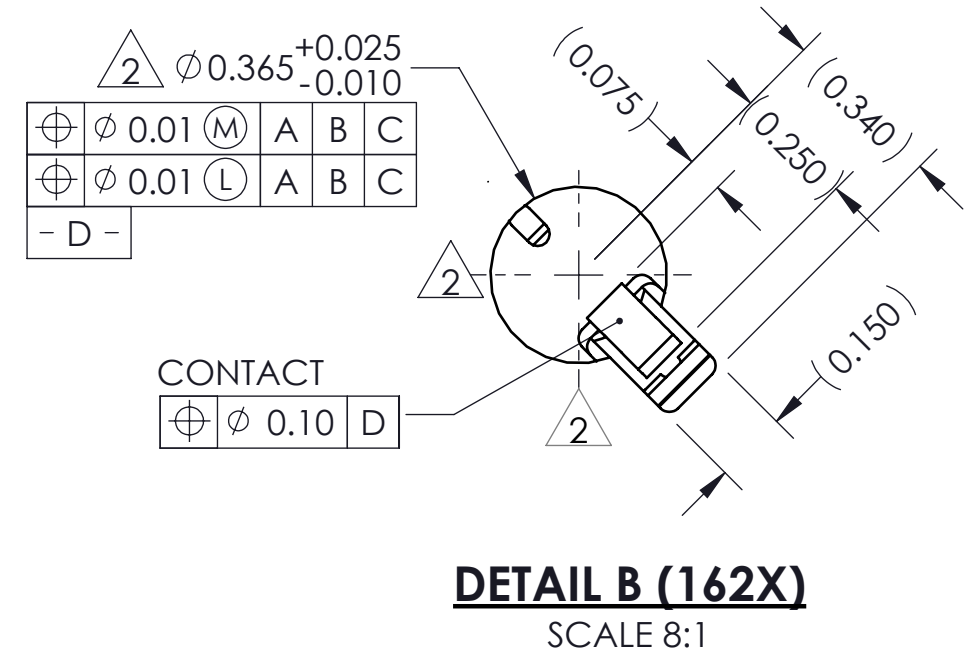
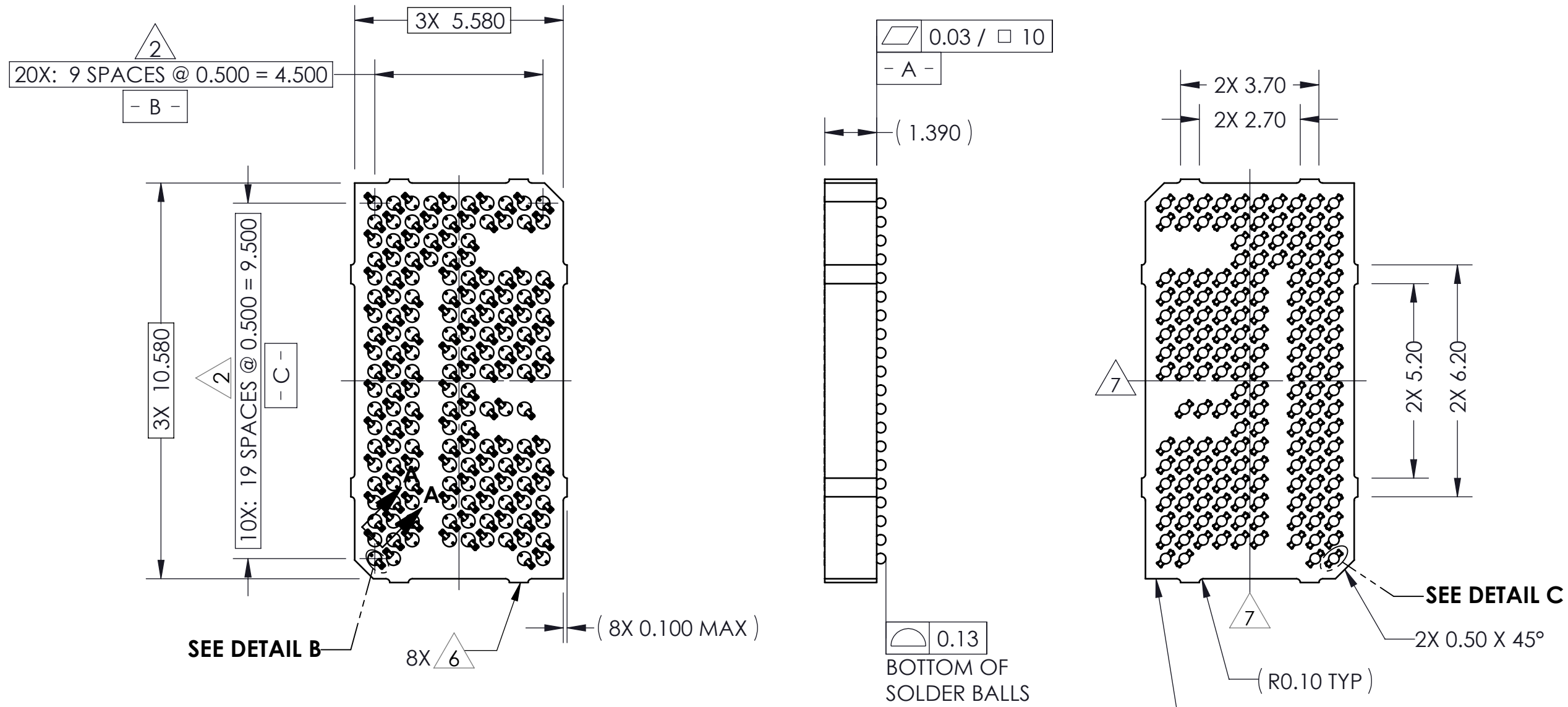


REV	ECO	BY	DESCRIPTION	APV	DATE
A	31690	RS	Initial Design	NSJ	09/10/15

Notes:

- Reference HSI0 Technologies specification 700001-0001 for solder attachment.
- Locates center of contact/ slot.
- Reference HSI0 Technologies specification 700001-0002 for application notes.
- Footprint part number is 104311-0277.
- Datums **- B -** and **- C -** are determined by $\phi 0.365$ features on corner slots.
- Tooling marks permitted. Maximum 0.100 protrusion (shown).
- E -** Center of ball pattern.
- F -** Center of contact.
- SAC305 solder balls.

Part List	
Part Number	Description
108387-0024	SCKT, 162G405.5X10.5-0.50
103864-0128	PRESS, DEVICE INSERT, GRYP 11.5 X 13 (SOLD SEPARATELY)
105900-0004	EXTRACTION TOOL, 4 X 53 (SOLD SEPARATELY)
104553-0210	STEN FLEX, 162G405.5X10.5-0.50 (SOLD SEPARATELY)
108639-0013	ALIGNMENT FRAME, GRY 5.5X10.5 (SOLD SEPARATELY)



<p>HSIO technologies PROPRIETARY AND CONFIDENTIAL THE INFORMATION CONTAINED IN THIS DRAWING IS THE SOLE PROPERTY OF HSI0 TECHNOLOGIES, LLC. ANY REPRODUCTION IN PART OR AS A WHOLE WITHOUT THE WRITTEN PERMISSION OF HSI0 TECHNOLOGIES, LLC IS PROHIBITED.</p>	UNLESS OTHERWISE SPECIFIED: DIMENSIONS ARE IN MILLIMETERS TOLERANCES: ANGULAR: $\pm 1^\circ$ X.X ± 0.25 X.XX ± 0.10 X.XXX ± 0.050	NAME: RS DATE: 09/10/15	HSIO TECHNOLOGIES, LLC. 13300 67th AVENUE NORTH MAPLE GROVE, MINNESOTA 55311 763-447-6260	
	INTERPRET GEOMETRIC TOLERANCING PER: MATERIAL: SEE BOM FINISH:	CHECKED: NSJ DATE: 09/10/15		TITLE: SCKT, 162G40 5.5X10.5-0.50 SAC305 SOLDER BALLS
	DO NOT SCALE DRAWING	LEGEND: △ NOTE CALLOUT □ REVISION CHANGE ○ ITEM NUMBER	DWG. NO. 107250-0071	REV A
			SCALE: 5:1	SIZE: C

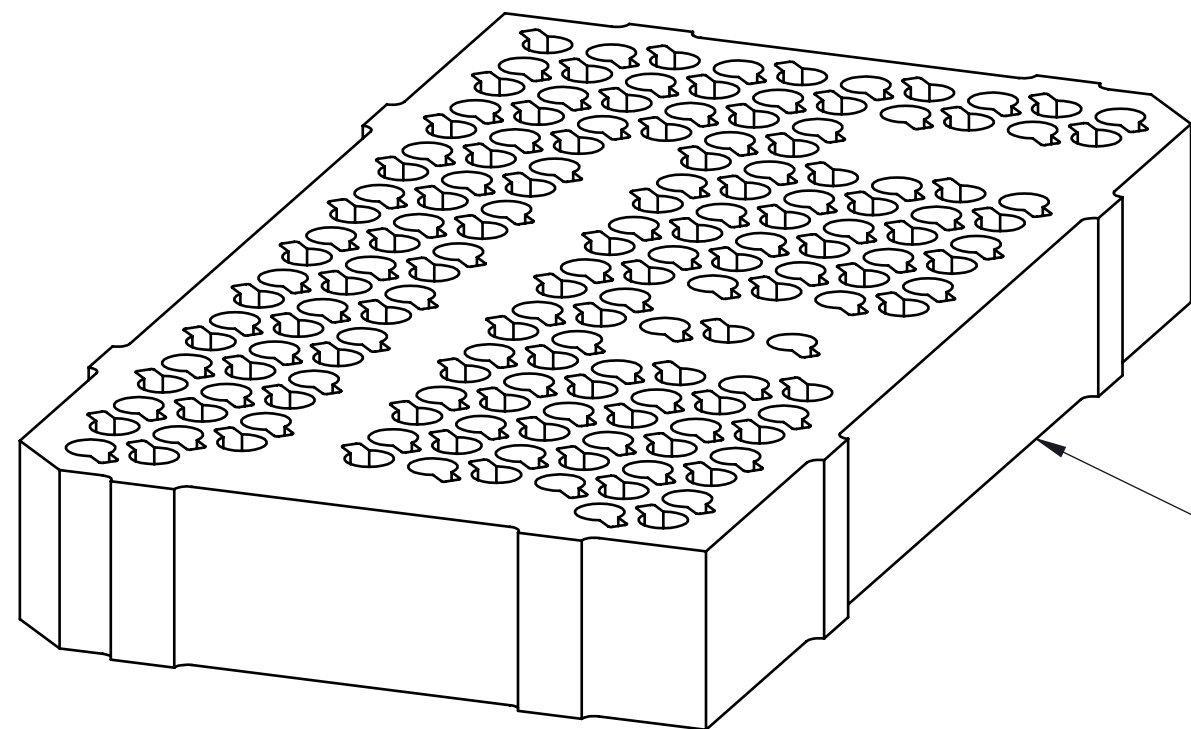
SOCKET FOR DEVICES THAT ARE WITHIN THESE SPECIFICATIONS

Lead Count	N	162	Package Size	D	5.50
Columns	ND	10		E	10.50
Rows	NE	20	Ball Spacing	D1	4.500
Pitch	e	0.50		E1	9.500
Ball Size	b	0.30±0.05	Encapsulant/ Top Size	D2	n/a
Total Thickness	A	n/a		E2	n/a
Ball Height	A1	0.225 MIN	Pattern Style	IRREGULAR*	
Substrate Thickness	A2	n/a	Perimeter Rows	N/A	
Top Thickness	A3		Center Array	N/A	

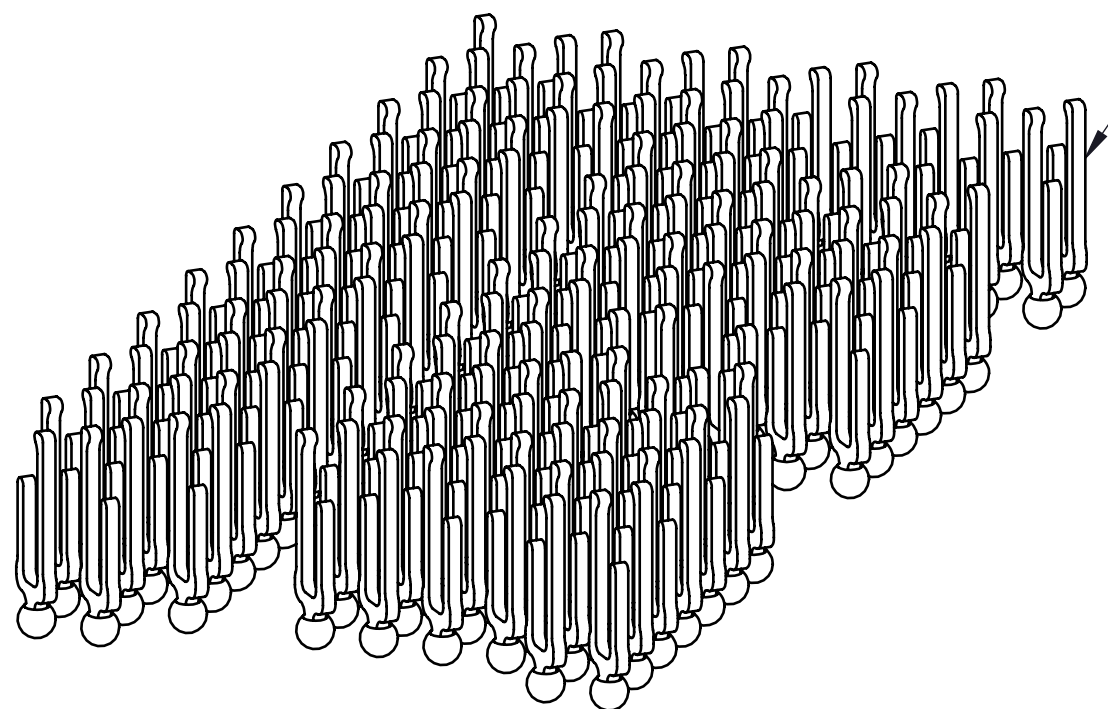
Form Tolerances

Edge	aaa	0.10	Bottom	ddd	0.08
Substrate	bbb	0.10	Position	eee	0.15
top	ccc	0.10	Position	fff	0.05

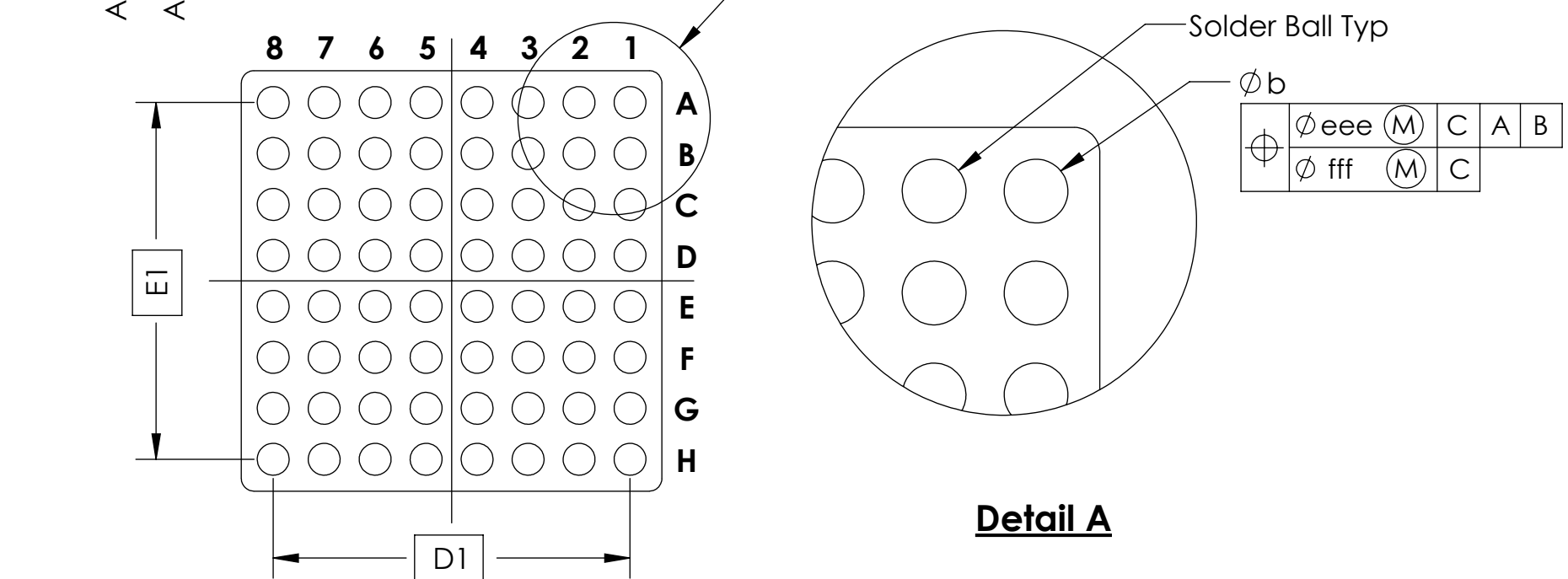
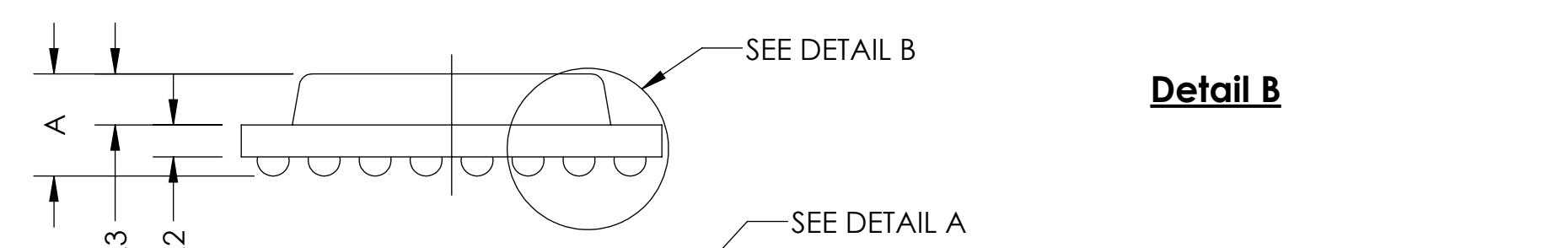
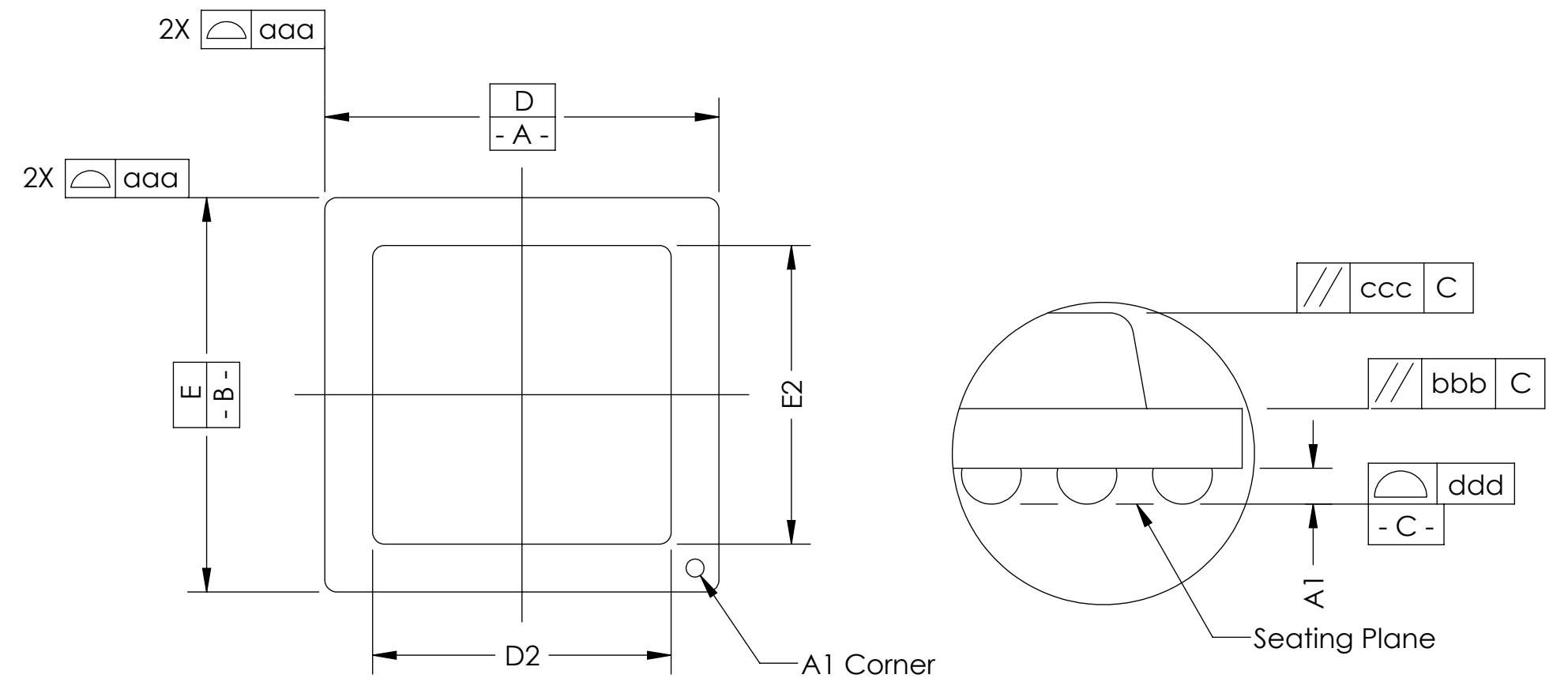
All dimensions are in millimeters.
* See footprint for pattern details.



HOUSING
107247-0024



162X CONTACT
104468-0015



Detail B

Detail A

Generic Representation with Full Grid Array

PROPRIETARY AND CONFIDENTIAL			
<small>THE INFORMATION CONTAINED IN THIS DRAWING IS THE SOLE PROPERTY OF HSIO TECHNOLOGIES, LLC. ANY REPRODUCTION IN PART OR AS A WHOLE WITHOUT THE WRITTEN PERMISSION OF HSIO TECHNOLOGIES, LLC IS PROHIBITED.</small>			
UNLESS OTHERWISE SPECIFIED: DIMENSIONS ARE IN MILLIMETERS TOLERANCES: ANGULAR: ± 1° X.X ± 0.25 X.XX ± 0.10 X.XXX ± 0.050	NAME	DATE	HSIO TECHNOLOGIES, LLC. 13300 67th AVENUE NORTH MAPLE GROVE, MINNESOTA 55311 763-447-6260
	DRAWN	RS	
LEGEND: △ NOTE CALLOUT ◻ REVISION CHANGE ○ ITEM NUMBER	CHECKED	NSJ	09/10/15
			TITLE: SCKT, 162G40 5.5X10.5-0.50 SAC305 SOLDER BALLS
		DWG. NO.	REV
		107250-0071	A
SCALE: 5:1	SIZE: C	SHEET 2 OF 2	