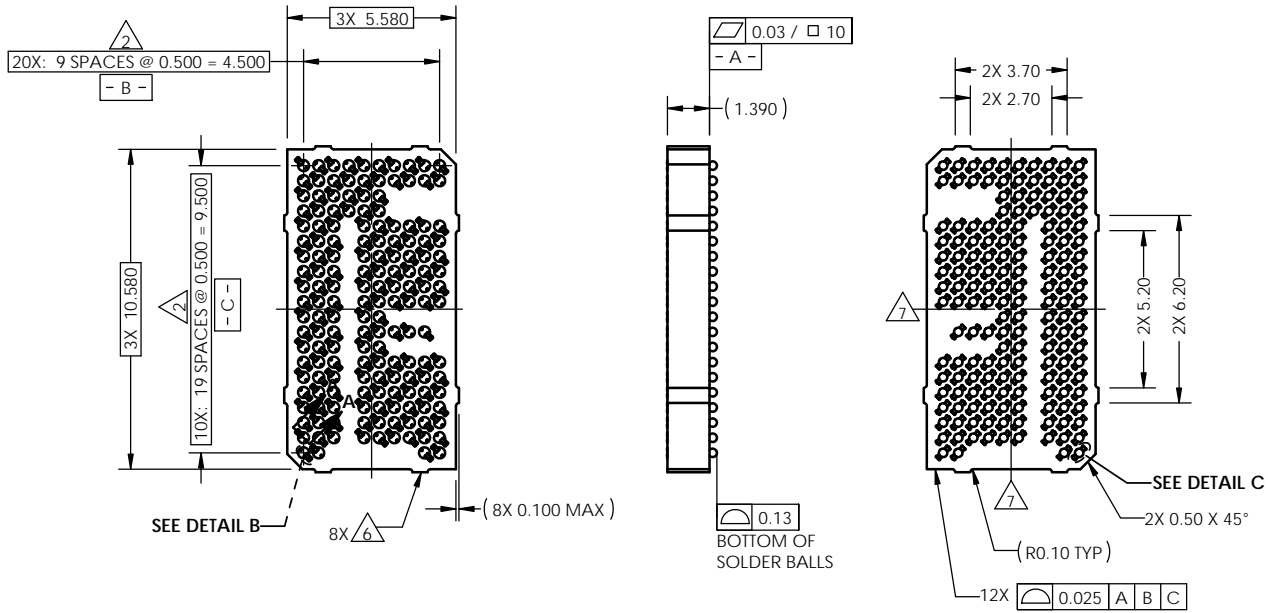
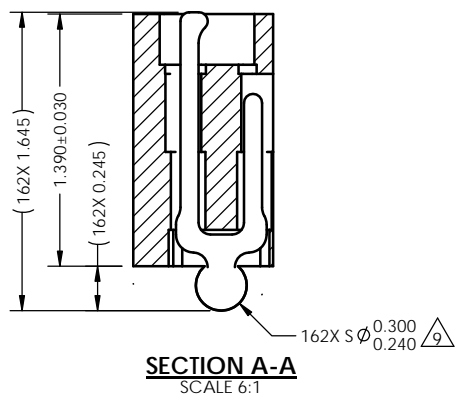
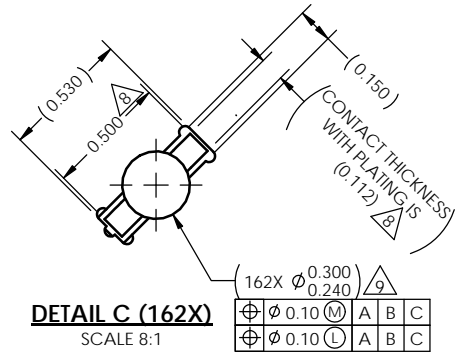
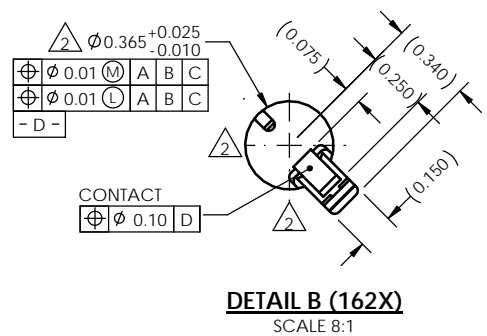


REV	ECO	BY	DESCRIPTION	APV	DATE
A	31346	AS	Initial Design	MP	08/28/13



- Notes:
- Reference HSIO Technologies specification 103862-0004 for solder attachment.
 - Locates center of contact/ slot.
 - Reference HSIO Technologies specification 103863-0001 for application notes.
 - Footprint part number is 104311-0277.
 - Datums -B- and -C- are determined by $\phi 0.365$ features on corner slots.
 - Tooling marks permitted. Maximum 0.100 protrusion (shown).
 - E- Center of ball pattern.
 - F- Center of contact.
 - Eutectic solder balls.

Part List	
Part Number	Description
108387-0024	SCKT, 162G405.5X10.5-0.50
103864-0128	PRESS, DEVICE INSERT, GRYP 11.5 X 13 (SOLD SEPARATELY)
105900-0004	EXTRACTION TOOL, 4 X 53 (SOLD SEPARATELY)
104553-0210	STEN FLEX, 162G405.5X10.5-0.50 (SOLD SEPARATELY)



UNLESS OTHERWISE SPECIFIED:

DIMENSIONS ARE IN MILLIMETERS

TOLERANCES:

ANGULAR $\pm 1^\circ$

X.X ± 0.25

X.XX ± 0.10

X.XXX ± 0.050

NAME	DATE
AS	08/28/13
MP	08/28/13

HSIO TECHNOLOGIES, LLC.
 13300 67th AVENUE NORTH
 MAPLE GROVE, MINNESOTA 55311
 763-447-6260

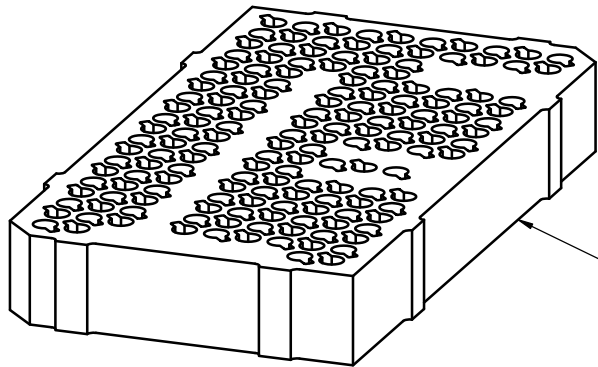
THE INFORMATION CONTAINED IN THIS DRAWING IS THE SOLE PROPERTY OF HSIO TECHNOLOGIES, LLC. ANY REPRODUCTION IN PART OR AS A WHOLE WITHOUT THE WRITTEN PERMISSION OF HSIO TECHNOLOGIES, LLC IS PROHIBITED.

LEGEND:	
\triangle	NOTE CALLOUT
\square	REVISION CHANGE
\circ	ITEM NUMBER

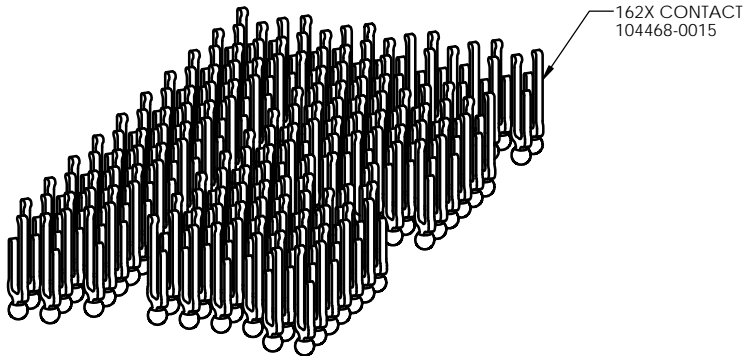
TITLE: SCKT, 162G405.5X10.5-0.50, WITH EUTECTIC SOLDER BALLS	
DWG. NO. 108387-0024	REV A
SCALE: 5:1	SIZE: C SHEET 1 OF 2

SOCKET FOR DEVICES THAT ARE WITHIN THESE SPECIFICATIONS					
Lead Count	N	162	Package Size	D	5.50
Columns	ND	10		E	10.50
Rows	NE	20	Ball Spacing	D1	4.500
Pitch	e	0.50		E1	9.500
Ball Size	b	0.30±0.05	Encapsulant/ Top Size	D2	n/a
Total Thickness	A	n/a		E2	n/a
Ball Height	A1	0.225 MIN	Pattern Style	IRREGULAR*	
Substrate Thickness	A2	n/a	Perimeter Rows	N/A	
Top Thickness	A3		Center Array	N/A	
Form Tolerances					
Edge	aaa	0.10	Bottom	ddd	0.08
Substrate	bbb	0.10	Position	eee	0.15
top	ccc	0.10	Position	fff	0.05

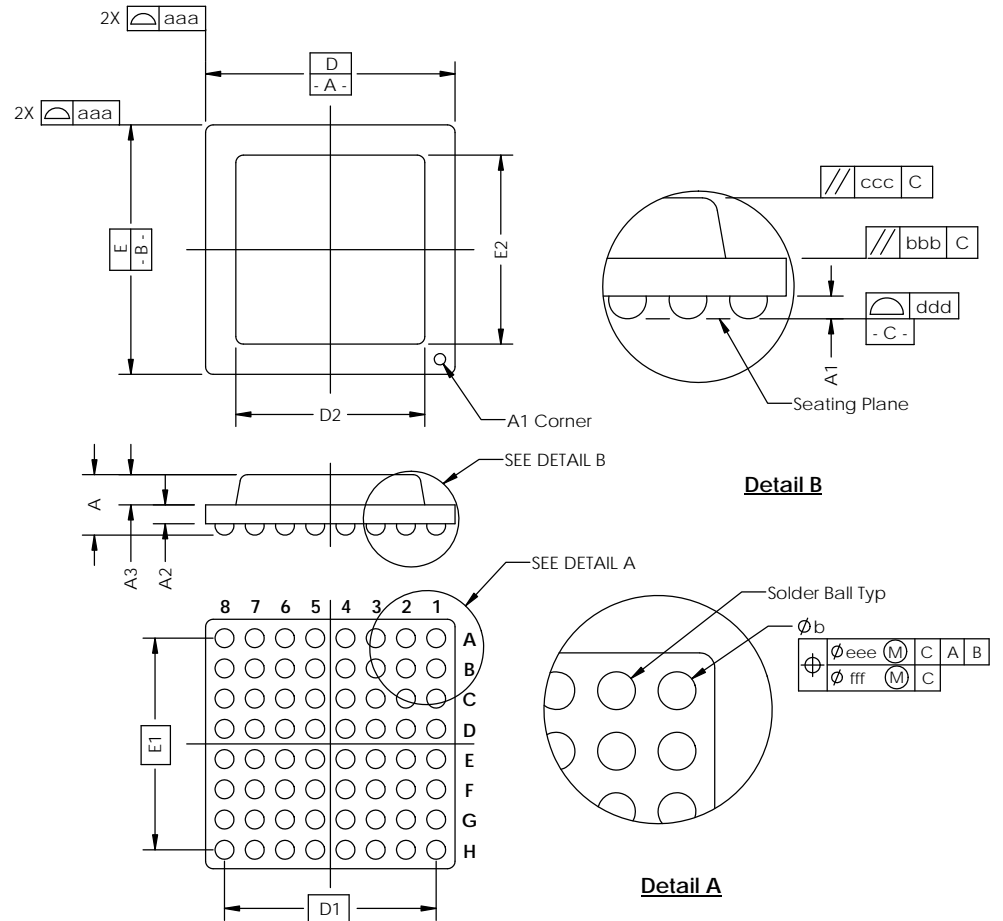
All dimensions are in millimeters.
* See footprint for pattern details.



HOUSING
107247-0024



162X CONTACT
104468-0015



Generic Representation with Full Grid Array

PROPRIETARY AND CONFIDENTIAL			
THE INFORMATION CONTAINED IN THIS DRAWING IS THE SOLE PROPERTY OF HSIQ TECHNOLOGIES, LLC. ANY REPRODUCTION IN PART OR AS A WHOLE WITHOUT THE WRITTEN PERMISSION OF HSIQ TECHNOLOGIES, LLC IS PROHIBITED.			
UNLESS OTHERWISE SPECIFIED:	NAME	DATE	HSIQ TECHNOLOGIES, LLC. 13300 67th AVENUE NORTH MAPLE GROVE, MINNESOTA 55311 763-447-6260
DIMENSIONS ARE IN MILLIMETERS	DRAWN	AS 08/28/13	
TOLERANCES: ANGULAR ±1° XX ±0.25 XXX ±0.10 XXXX ±0.050	CHECKED	MP 08/28/13	
LEGEND: △ NOTE CALLOUT ○ REVISION CHANGE ○ ITEM NUMBER			TITLE: SCKT, 162G405.5X10.5-0.50, WITH EUTECTIC SOLDER BALLS
		DWG. NO.	REV
		108387-0024	A
		SCALE: 5:1	SIZE: C SHEET 2 OF 2