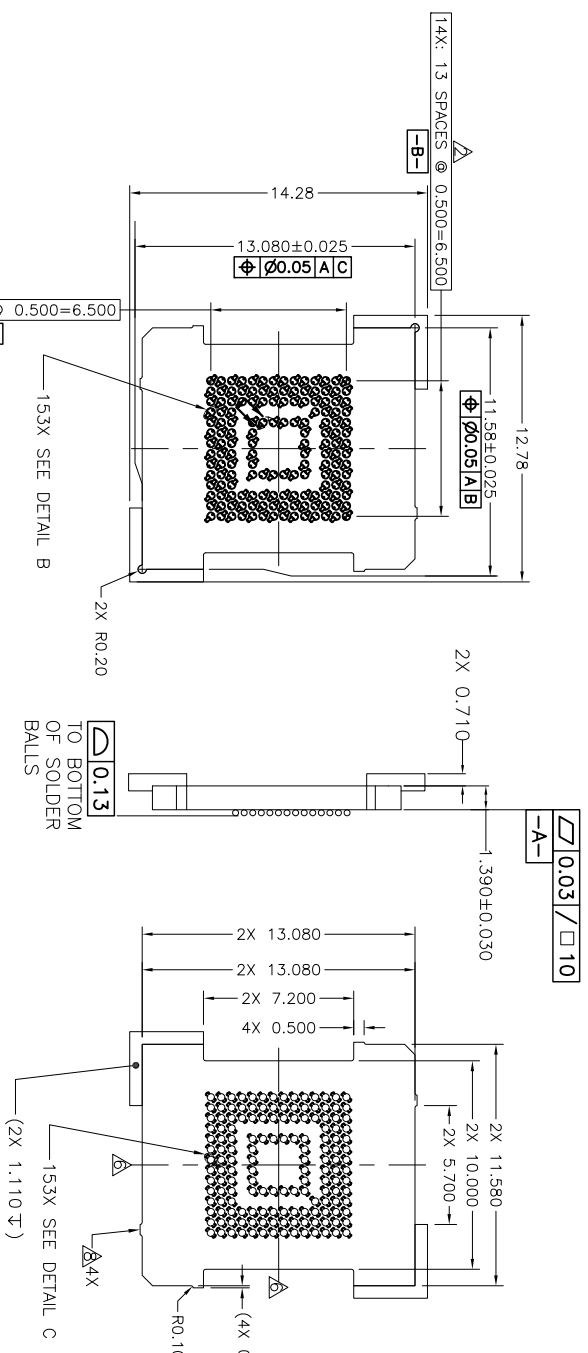
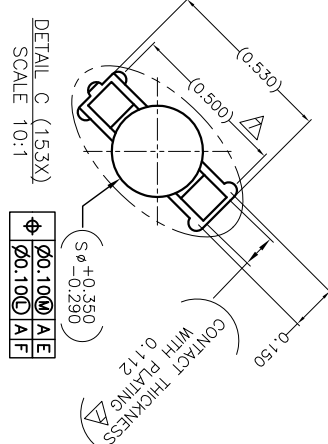
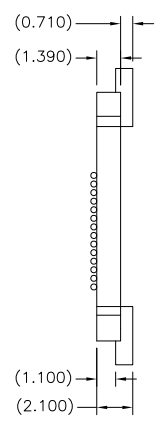


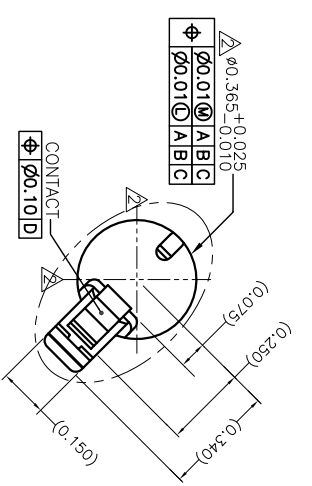
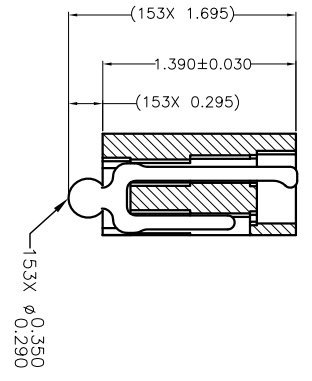
REV	ECO	BY	DESCRIPTION	APV	DATE
A	31477	RS	Initial Design	NSJ	02/26/14



- NOTES:
- Reference HSI0 Technologies specification 700001-0001 for solder attachment.
 - Locates center of contact/ slot.
 - Reference HSI0 Technologies specification 700001-0002 for application notes.
 - Footprint part number is 104311-0371.
 - Datums **-B-** and **-C-** are defined by $\phi 0.365$ features on corner slots.
- E-** Center of ball pattern.
-F- Center of contact.
 Tooling marks permitted. Maximum 0.10 protrusion (shown).



Part Number	Description
103864-0128	PRESS, DEVICE INSERT, GRYP 11.5X13 (SOLD SEPARATELY)
105900-0004	EXTRACTION TOOL, 4 X 53 (SOLD SEPARATELY)
104553-0330	STEN, FLEX, 153G4011.5X13-0.50 (SOLD SEPARATELY)



SECTION A-A
SCALE 8:1

DETAIL B (153X)
SCALE 10:1

UNLESS OTHERWISE SPECIFIED, ALL DIMENSIONS ARE IN MILLIMETERS.
 DIMS APPLY AFTER PLATING
 TOLERANCES UNLESS OTHERWISE NOTED:
 ANGLES DECIMALS 40.10
 X.XX 20.10
 X.XXX 20.10
 X.XXXX 20.10

THE INFORMATION CONTAINED IN THIS DRAWING IS THE SOLE PROPERTY OF HSI0 TECHNOLOGIES, LLC. ANY REPRODUCTION OR TRANSMISSION OF THIS DRAWING WITHOUT THE WRITTEN PERMISSION OF HSI0 TECHNOLOGIES, LLC IS PROHIBITED. DO NOT MANUALLY UPDATE.

DRAWING APPROVALS

NAME	DATE	TITLE
R. Sawhrock	02/26/14	SKCT, 153G4011.5X13-0.50 WITH EUECTIC SOLDER BALLS
N. St Jacques	02/26/14	

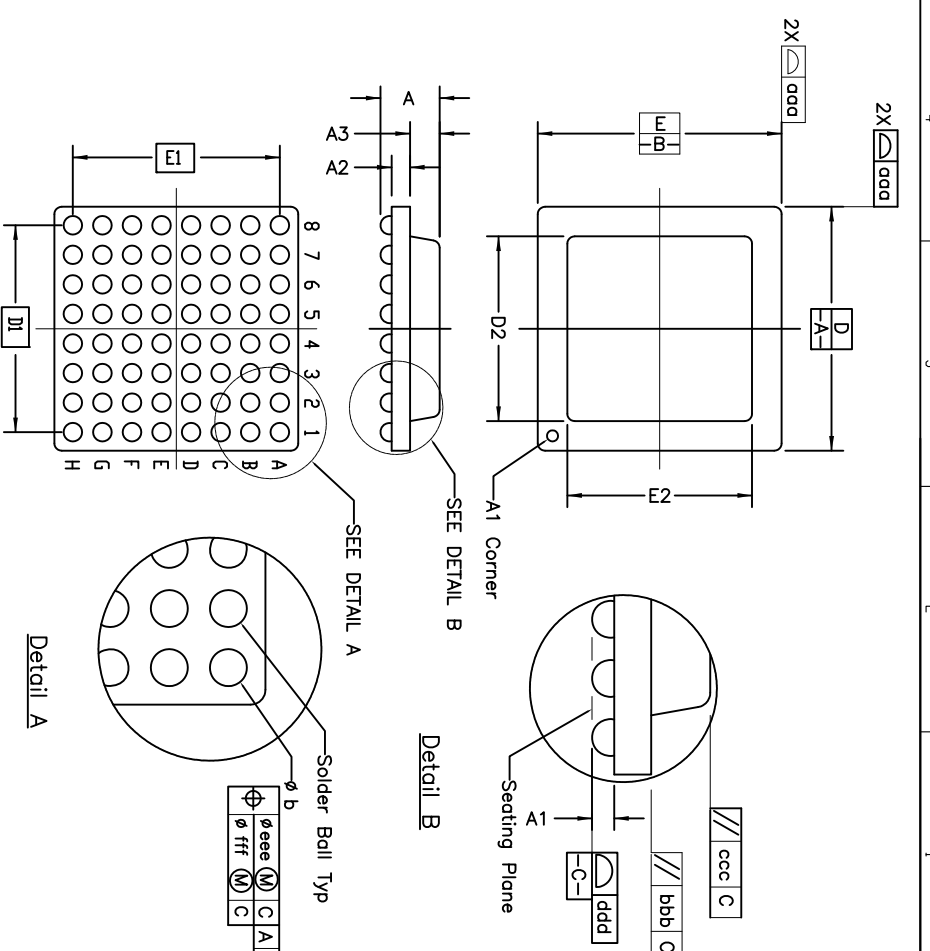
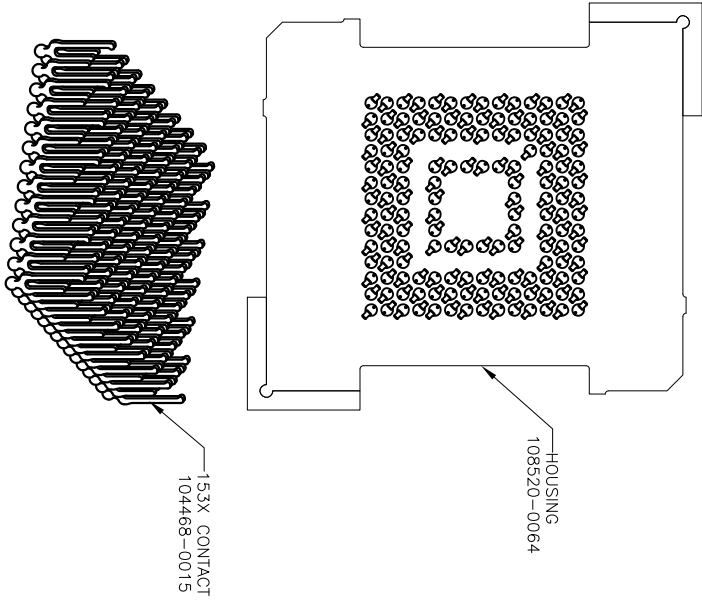
DESIGNER: R. Sawhrock
 CHECKED: N. St Jacques
 THIRD ANGLE PROJECTION

SCALE: AUTOCAD
 PART: 108387-0064
 SHEET: 1 of 2

UNLESS OTHERWISE SPECIFIED, ALL DIMENSIONS ARE IN MILLIMETERS. DIMS APPLY AFTER PLATING. TOLERANCES UNLESS OTHERWISE NOTED: ANGLES DECIMALS 40.10, X.XX 20.10, X.XXXX 20.10.	THE INFORMATION CONTAINED IN THIS DRAWING IS THE SOLE PROPERTY OF HSI0 TECHNOLOGIES, LLC. ANY REPRODUCTION OR TRANSMISSION OF THIS DRAWING WITHOUT THE WRITTEN PERMISSION OF HSI0 TECHNOLOGIES, LLC IS PROHIBITED. DO NOT MANUALLY UPDATE.
DRAWING APPROVALS	DRAWING APPROVALS
NAME DATE TITLE	NAME DATE TITLE
R. Sawhrock 02/26/14 SKCT, 153G4011.5X13-0.50 WITH EUECTIC SOLDER BALLS	R. Sawhrock 02/26/14 SKCT, 153G4011.5X13-0.50 WITH EUECTIC SOLDER BALLS
N. St Jacques 02/26/14	N. St Jacques 02/26/14
DESIGNER: R. Sawhrock	DESIGNER: R. Sawhrock
CHECKED: N. St Jacques	CHECKED: N. St Jacques
THIRD ANGLE PROJECTION	THIRD ANGLE PROJECTION
SCALE: AUTOCAD	SCALE: AUTOCAD
PART: 108387-0064	PART: 108387-0064
SHEET: 1 of 2	SHEET: 1 of 2

SOCKET FOR DEVICES THAT ARE WITHIN THESE SPECIFICATIONS					
Lead Count	N	153	Package Size	D	11.50
Columns	ND	14		E	13.00
Rows	NE	14	Ball Spacing	D1	6.500
Pitch	e	0.50		E1	6.500
Ball Size	b	0.35±0.05	Encapsulant/ Top Size	D2	n/a
Total Thickness	A	n/a	Pattern Style	E2	n/a
Ball Height	A1	0.225 MIN	Perimeter Rows	n/a	n/a
Substrate Thickness	A2	n/a	Center Array	n/a	n/a
Top Thickness	A3	n/a	Form Tolerances		
Edge	aaa	0.10	Bottom	ddd	0.08
Substrate	bbb	0.10	Position	eee	0.15
top	ccc	0.10	Position	fff	0.05

All dimensions are in millimeters.
* See footprint for pattern details.



Generic Representation with Full Grid Array

THE INFORMATION CONTAINED IN THIS DRAWING IS THE SOLE PROPERTY OF HISO TECHNOLOGIES, LLC. ANY REPRODUCTION IN PART OR WHOLE WITHOUT THE WRITTEN PERMISSION OF HISO TECHNOLOGIES, LLC IS PROHIBITED.

UNLESS OTHERWISE SPECIFIED
- DIMENSIONS ARE IN MILLIMETERS
- DIMENSIONS IN PARENTHESES ARE FOR INFORMATION ONLY
- TOLERANCES UNLESS OTHERWISE NOTED:
ANGLES: REGULARS ±.1°
STP ±.2°
XXX ±.020

REVISIONS

REV	DATE	BY	CHKD	DESCRIPTION
A				INITIALS

TITLE: SOCKET, 153G4011.5X13-0.50 WITH EUTECHIC SOLDER BALLS

SCALE: AUTOCAD

DATE: 108387-0064

REV: A