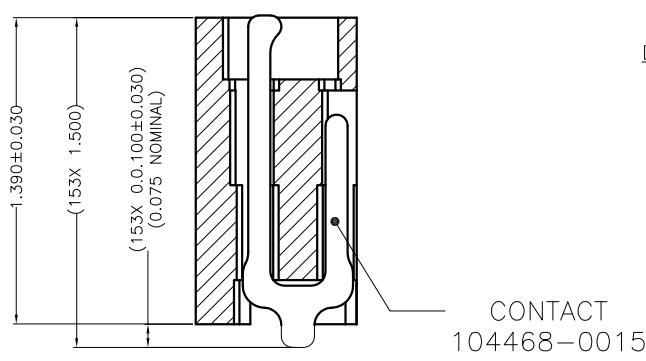
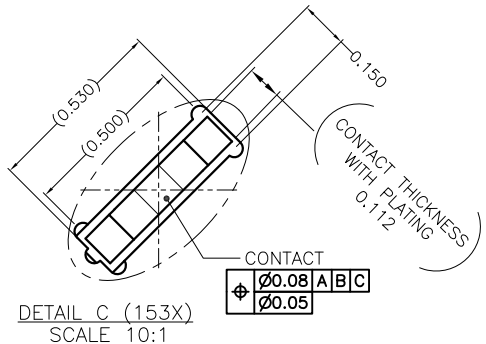
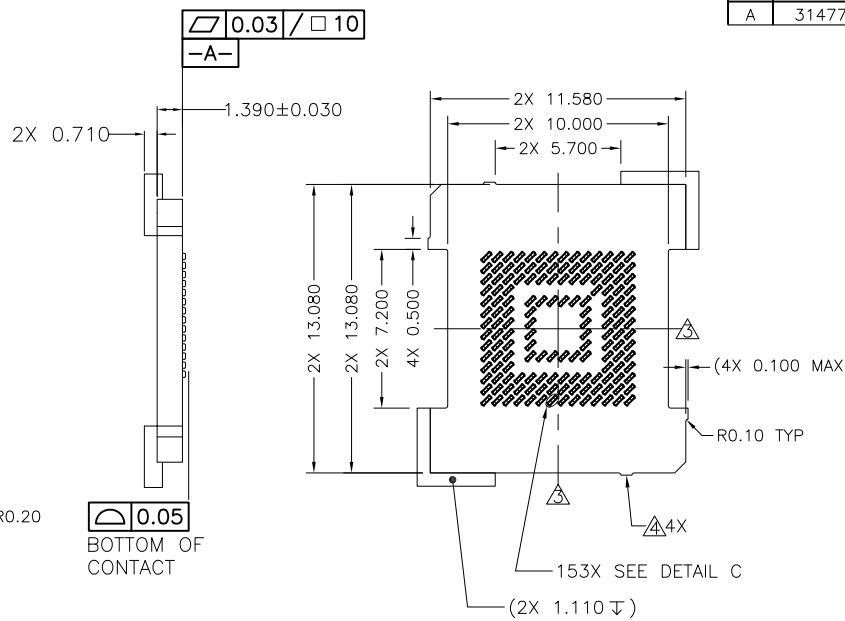
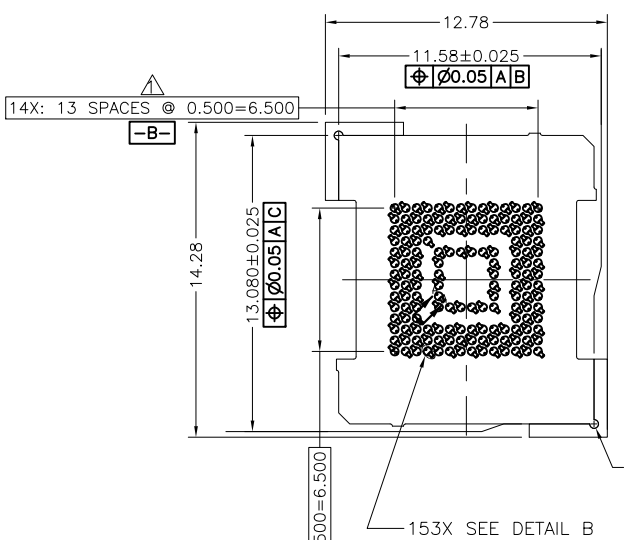
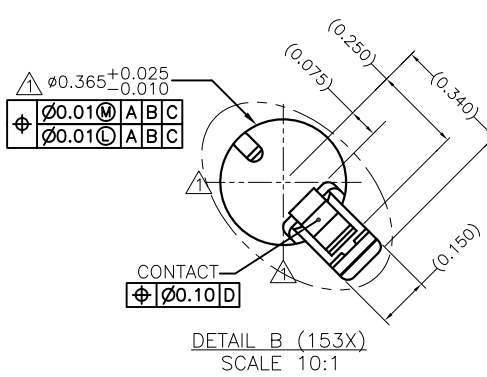


REV	ECO	BY	DESCRIPTION	APV	DATE
A	31477	RS	Initial Design	NSJ	02/26/14



SECTION A-A
SCALE 8:1



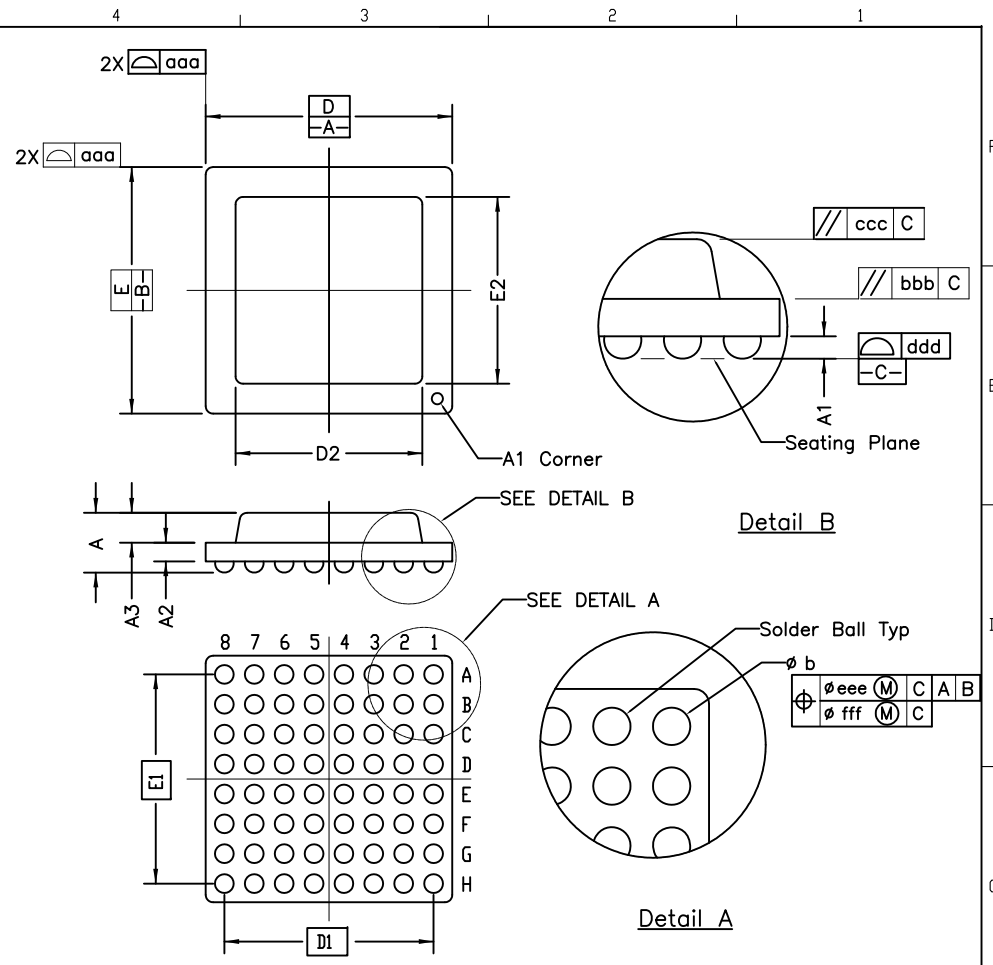
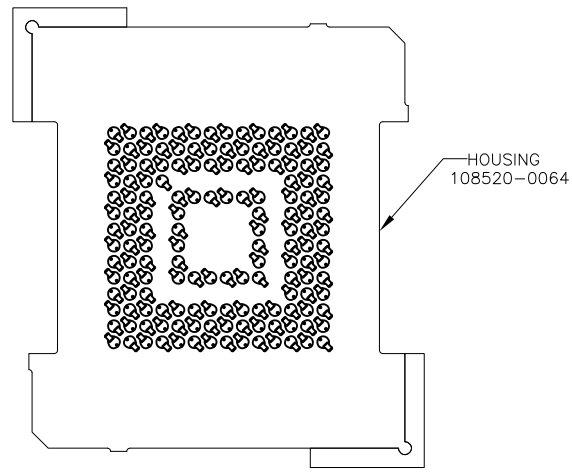
DETAIL B (153X)
SCALE 10:1

NOTES:

- 1. Locates center of contact/ slot.
- 2. Datums -B- and -C- are defined by $\phi 0.365$ features on corner slots.
- 3. Center of contact pattern.
- 4. Tooling marks permitted. Maximum 0.10 protrusion (shown).

UNLESS OTHERWISE SPECIFIED - DIMENSIONS ARE IN MILLIMETERS - DIM'S APPLY AFTER PLATING		THE INFORMATION CONTAINED IN THIS DRAWING IS THE SOLE PROPERTY OF HSIO TECHNOLOGIES, LLC. ANY REPRODUCTION IN PART OR WHOLE WITHOUT THE WRITTEN PERMISSION OF HSIO TECHNOLOGIES, LLC. IS PROHIBITED.			
TOLERANCES UNLESS OTHERWISE NOTED:		CAD GENERATED DRAWING DO NOT MANUALLY UPDATE		HSIO TECHNOLOGIES, LLC. 13300 67TH AVENUE NORTH MAPLE GROVE, MN 55311. 763-447-6260	
ANGLES: DECIMALS ±0.25 ° XX X.XX ±0.10 X.XXX ±0.050		DRAWING APPROVALS		TITLE CS, 153G4011.5X13-0.50 W/O SOLDER BALLS	
LEGEND: X NOTE CALLOUT I REVISION CHANGE X ITEM NUMBER		NAME R. Sewharack	DATE 02/26/14	REV. A	
THIRD ANGLE PROJECTION		NAME N. St Jacques	DATE 02/26/14	SIZE C	CAD FORMAT AUTOCAD
		DRAWING NO. 108519-0064		SCALE C	PAPER Cirlex
		SHEET 1 of 2			

SOCKET FOR DEVICES THAT ARE WITHIN THESE SPECIFICATIONS					
Lead Count	N	153	Package Size	D	11.50
Columns	ND	14		E	13.00
Rows	NE	14	Ball Spacing	D1	6.500
Pitch	e	0.50		E1	6.500
Ball Size	b	0.35±0.05	Encapsulant/ Top Size	D2	n/a
Total Thickness	A	n/a		E2	n/a
Ball Height	A1	0.225 MIN	Pattern Style	Irregular*	
Substrate Thickness	A2	n/a	Perimeter Rows	n/a	
Top Thickness	A3		Center Array	n/a	
Form Tolerances					
Edge	aaa	0.10	Bottom	ddd	0.08
Substrate	bbb	0.10	Position	eee	0.15
top	ccc	0.10	Position	fff	0.05
All dimensions are in millimeters. * See footprint for pattern details.					



Generic Representation with Full Grid Array

<small>THE INFORMATION CONTAINED IN THIS DRAWING IS THE SOLE PROPERTY OF HSIO TECHNOLOGIES, LLC. ANY REPRODUCTION IN PART OR WHOLE WITHOUT THE WRITTEN PERMISSION OF HSIO TECHNOLOGIES, LLC. IS PROHIBITED.</small>			
<small>UNLESS OTHERWISE SPECIFIED - DIMENSIONS ARE IN MILLIMETERS - DIM'S APPLY AFTER PLATING</small>		HSIO TECHNOLOGIES, LLC. 13300 67TH AVENUE NORTH MAPLE GROVE, MN 55311. 763-447-6260	
<small>TOLERANCES UNLESS OTHERWISE NOTED: ANGLES DECIMALS ±1° X.XX ±0.25 X.X ±0.10 X.XXX ±0.050</small>		TITLE CS, 153G4011.5X13-0.50 w/O SOLDER BALLS	
<small>LEGEND:</small> NOTE CALLOUT REVISION CHANGE ITEM NUMBER	<small>SIZE</small> C <small>SCALE</small> 1:1 <small>DATE</small> AUTOCAD <small>SCALE</small> See Pg 1	<small>DRAWING NO.</small> 108519-0064 <small>REV.</small> A <small>DATE</small>	<small>REV.</small> A <small>SHEET</small> 2of2