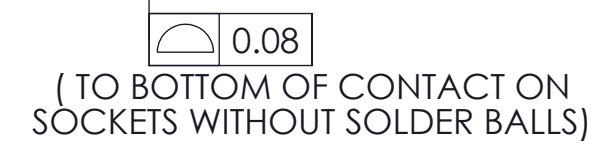
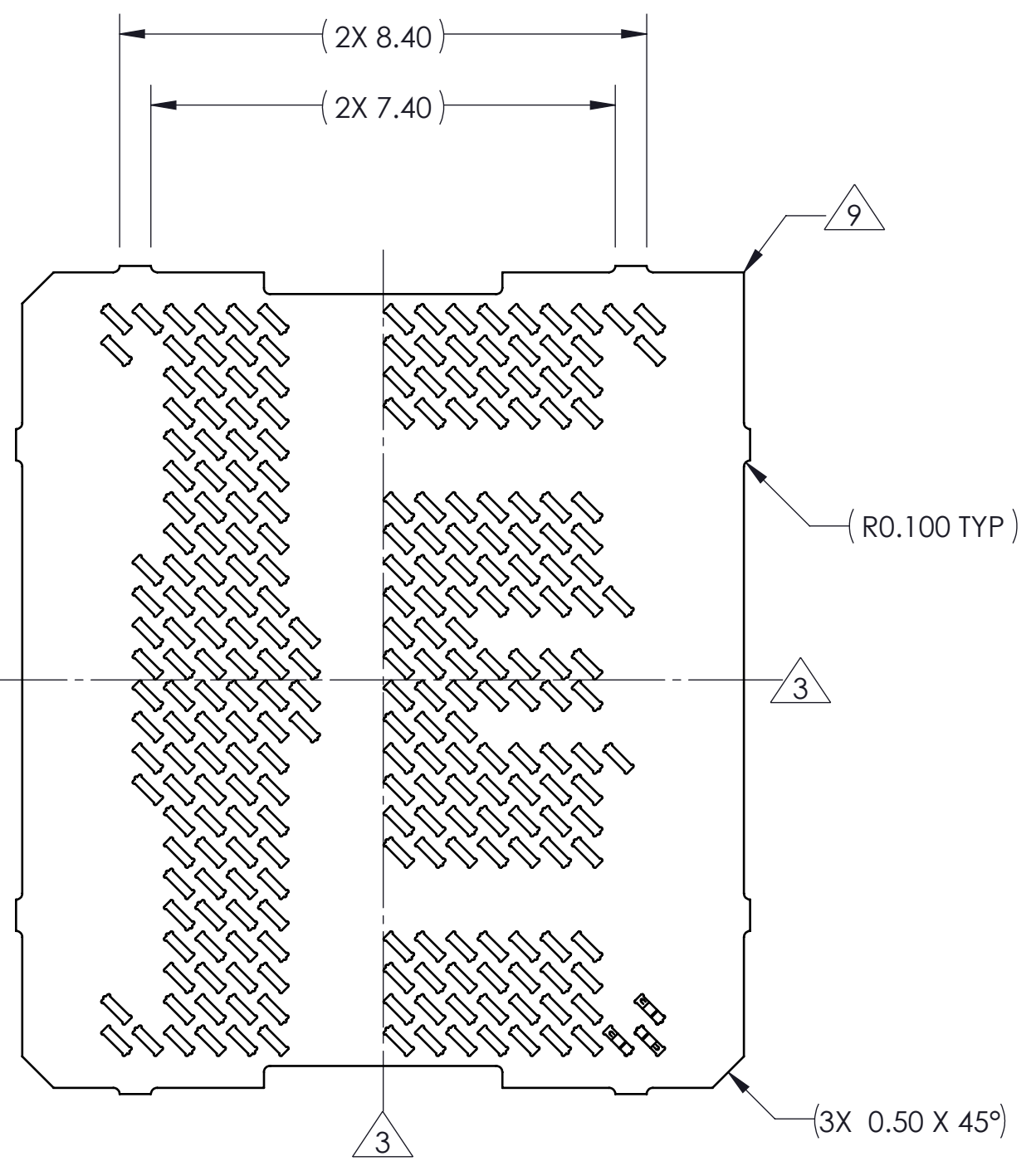
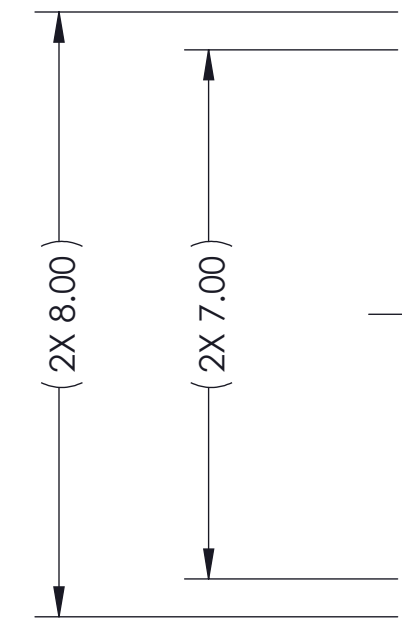
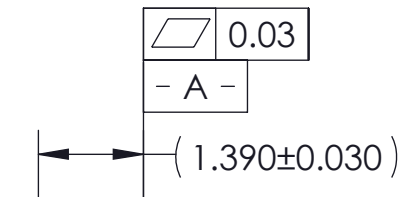
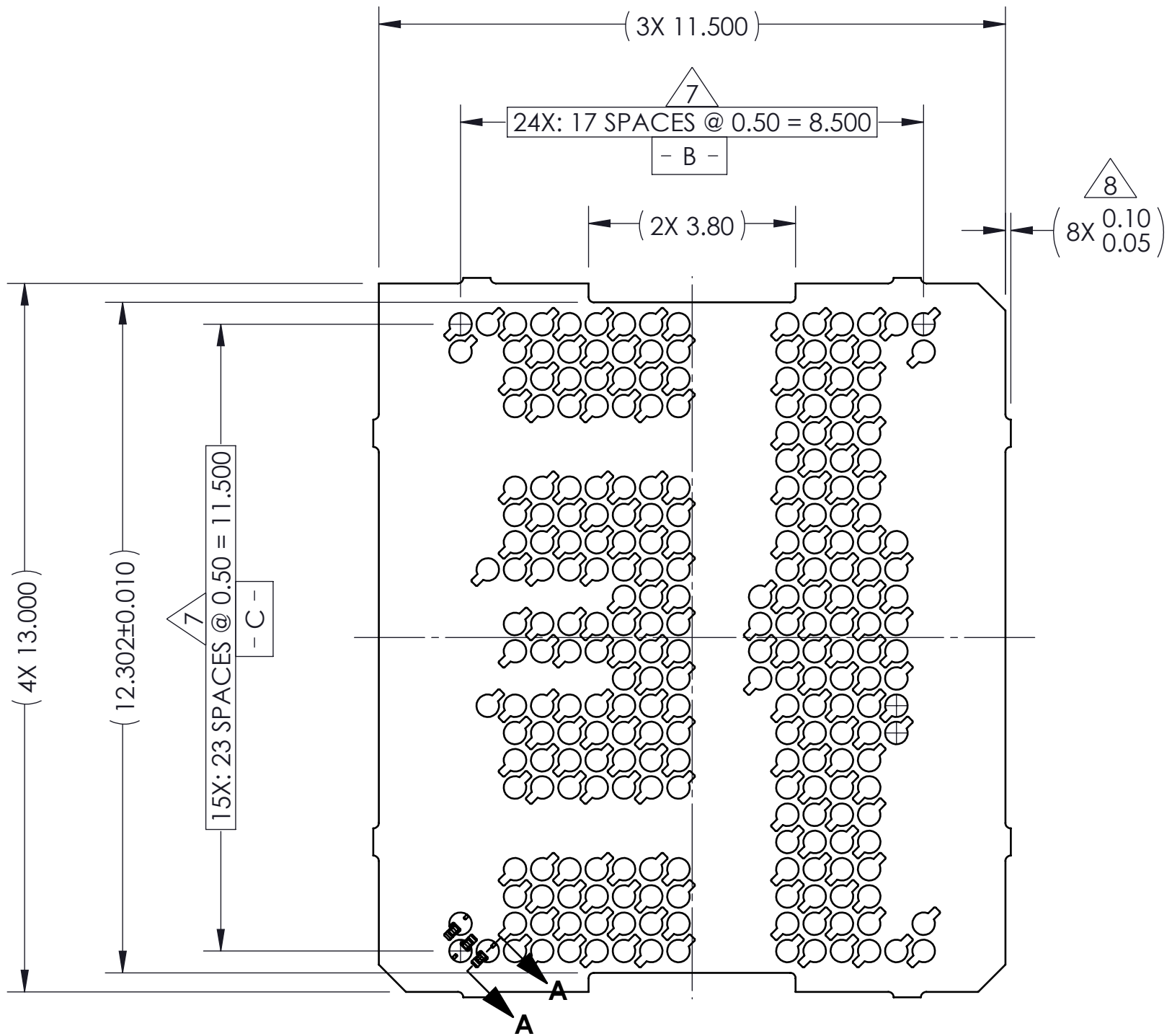
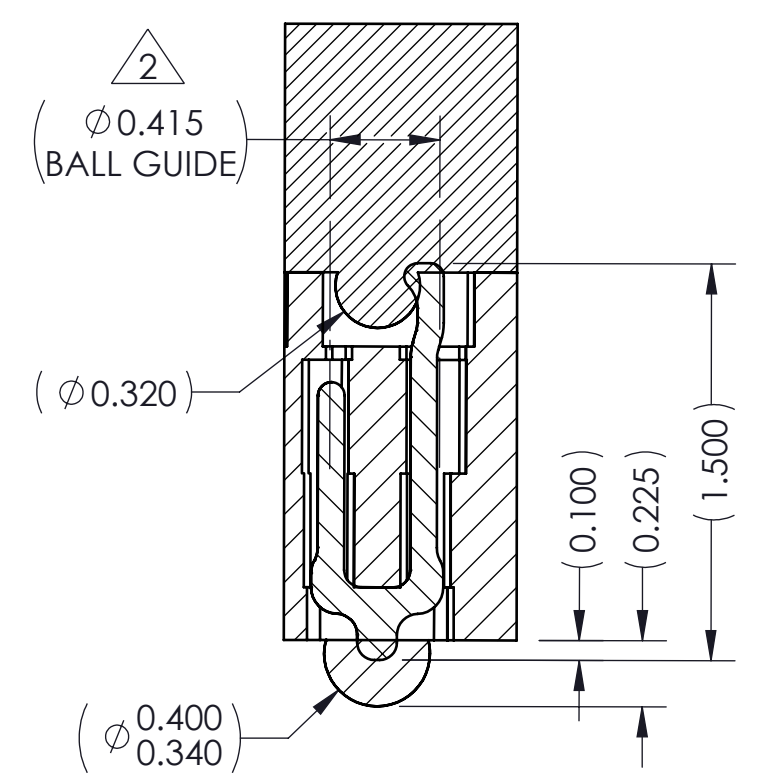


REV	ECO	BY	DESCRIPTION	APV	DATE
A	31750	PAR	INITIAL DESIGN	NSJ	03/17/16



Notes:

- Unless otherwise noted, all features located $\oplus 0.10$ A S C
- Datum's -B- and -C- are determined by $\phi 0.315$ features on corner slots.
- Center of contact pattern.
- Reference HSI0 Technologies specification 700001-0001 for solder attachment.
- Reference HSI0 Technologies specification 700001-0002 for application notes.
- Dimension locates center of contact/slot.
- Tooling marks permitted. Maximum 0.10 protrusion shown.
- Pin "A1" indicator.



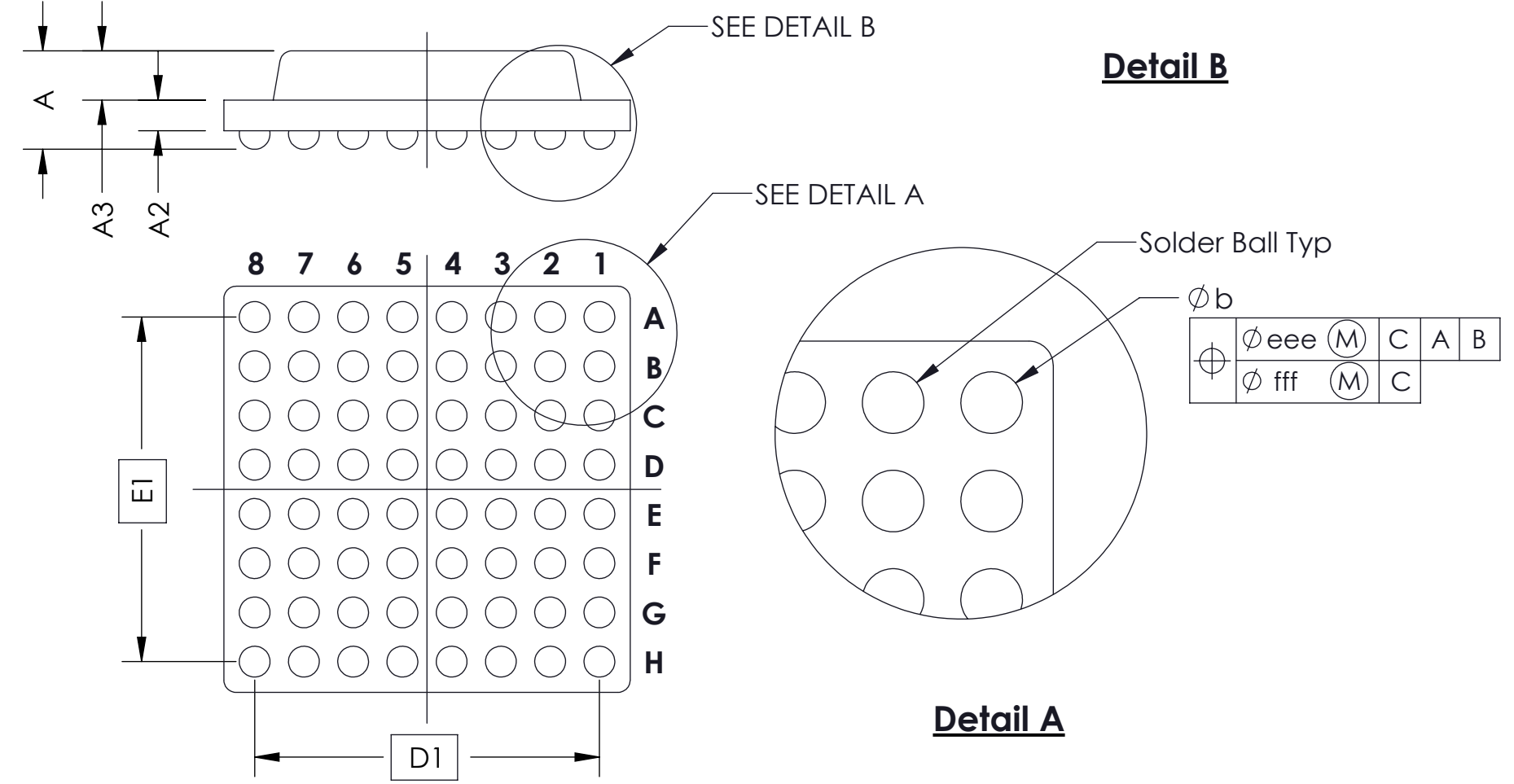
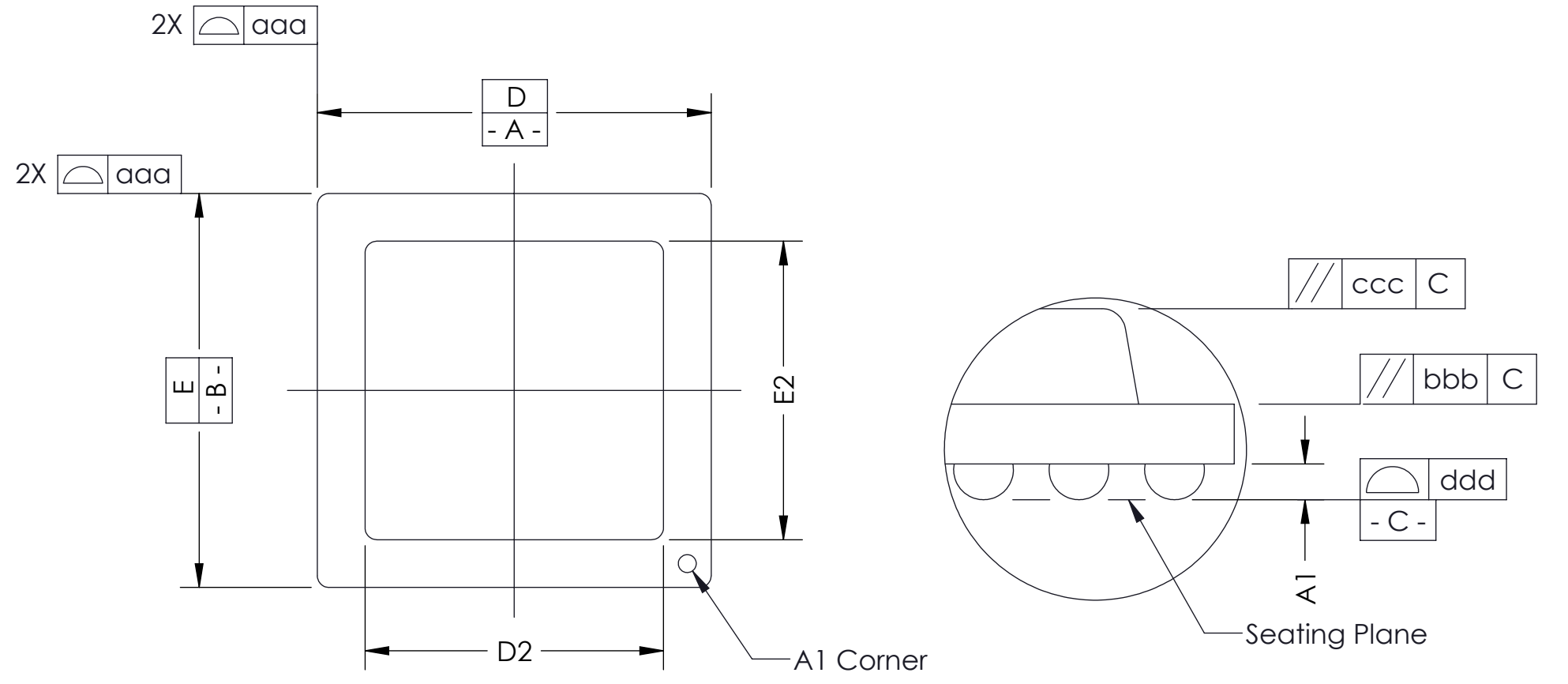
SECTION A-A
SCALE: 35:1

PART NUMBER	DESCRIPTION
109064-0001	SCKT, 254G40 11.5 X 13.0-0.50 (EUTECTIC SOLDER BALL)
109064-0002	SCKT, 254G40 11.5 X 13.0-0.50 (SAC305 SOLDER BALL)
109064-0003	SCKT, 254G40 11.5 X 13.0-0.50 (WITHOUT SOLDER BALL)
103864-0128	PRESS DEVICE INSERT, 11.5 X 13.0 (SOLD SEPARATELY)
104553-0424	STENCIL, FLEX, 254G40 11.5 X 13.0-0.50 (SOLD SEPARATELY)
105900-0004	EXTRACTION TOOL, 4 X 53 (SOLD SEPARATELY)

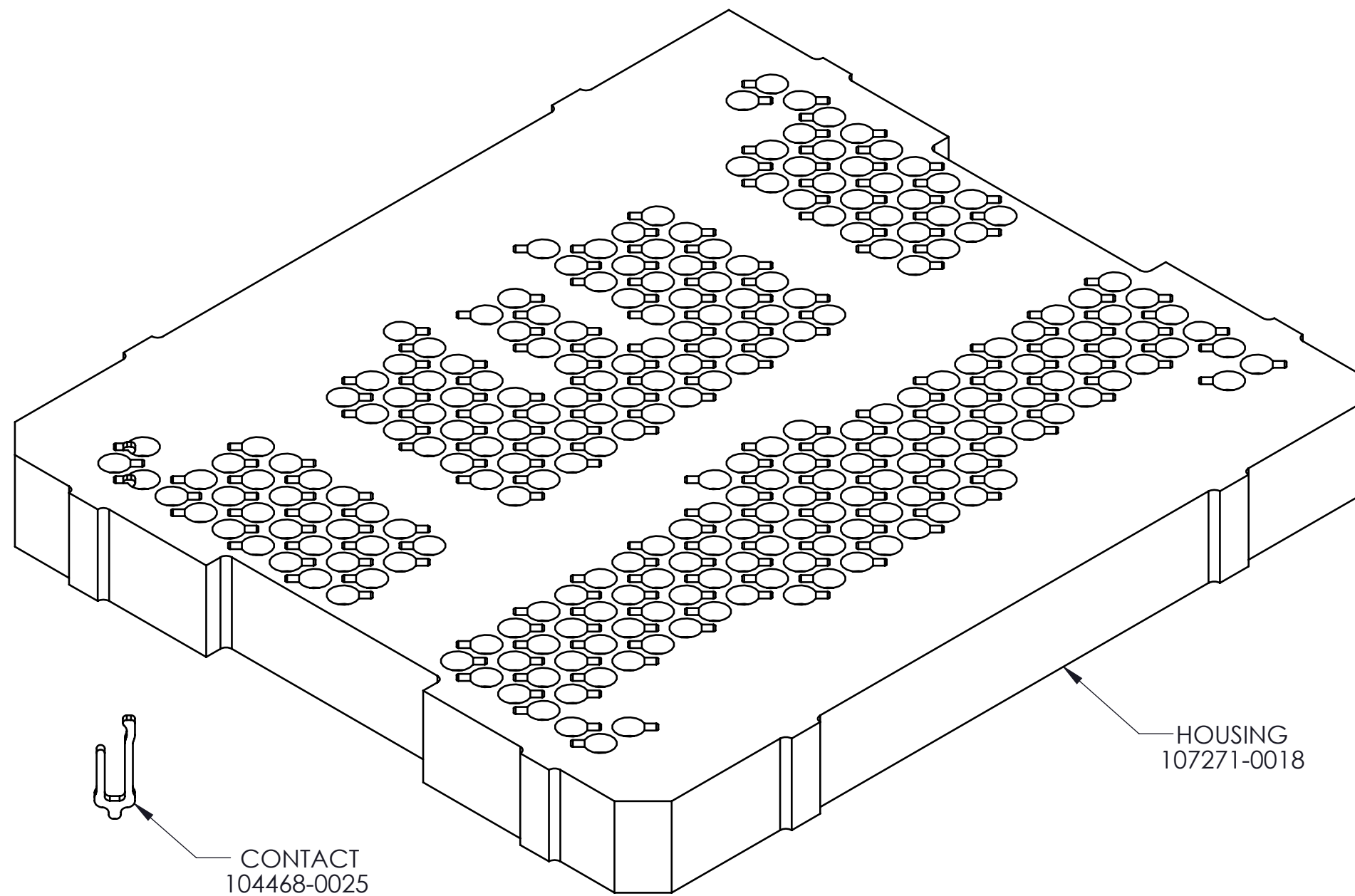
<p>HSIO technologies PROPRIETARY AND CONFIDENTIAL</p> <p>THE INFORMATION CONTAINED IN THIS DRAWING IS THE SOLE PROPERTY OF HSI0 TECHNOLOGIES, LLC. ANY REPRODUCTION IN PART OR AS A WHOLE WITHOUT THE WRITTEN PERMISSION OF HSI0 TECHNOLOGIES, LLC IS PROHIBITED.</p>	UNLESS OTHERWISE SPECIFIED: DIMENSIONS ARE IN MILLIMETERS TOLERANCES: ANGULAR: ± 1° X.X ±0.25 X.XX ±0.10 X.XXX ±0.050	<table border="1"> <tr> <th>NAME</th> <th>DATE</th> </tr> <tr> <td>PAR</td> <td>03/17/16</td> </tr> <tr> <td>NSJ</td> <td>03/17/16</td> </tr> </table>	NAME	DATE	PAR	03/17/16	NSJ	03/17/16	<p>HSIO TECHNOLOGIES, LLC. 13400 68th AVENUE NORTH MAPLE GROVE, MINNESOTA 55311 763-447-6260</p> <p>TITLE: SCKT, 254G40 11.5 X 13.0-0.50</p> <p>DWG. NO. 109064-XXXX</p> <p>REV A</p> <p>SCALE: 10:1 SIZE: C SHEET 1 OF 2</p>
	NAME	DATE							
	PAR	03/17/16							
	NSJ	03/17/16							
INTERPRET GEOMETRIC TOLERANCING PER:	<table border="1"> <tr> <td>△</td> <td>NOTE CALLOUT</td> </tr> <tr> <td>□</td> <td>REVISION CHANGE</td> </tr> <tr> <td>○</td> <td>ITEM NUMBER</td> </tr> </table>	△	NOTE CALLOUT	□	REVISION CHANGE	○	ITEM NUMBER		
△	NOTE CALLOUT								
□	REVISION CHANGE								
○	ITEM NUMBER								
MATERIAL SEE BOM									
FINISH									
DO NOT SCALE DRAWING									

SOCKET FOR DEVICES THAT ARE WITHIN THESE SPECIFICATIONS					
Lead Count	N	254	Package Size	D	11.50
Columns	ND	19		E	13.00
Rows	NE	24	Ball Spacing	D1	8.500
Pitch	e	0.50		E1	11.500
Ball Size	b	0.35±0.050	Encapsulant/ Top Size	D2	N/A
Total Thickness	A	N/A		E2	N/A
Ball Height	A1	0.225 MIN	Pattern Style	IRREGULAR	
Substrate Thickness	A2	N/A	Perimeter Rows	N/A	
Top Thickness	A3		Center Array	N/A	
Form Tolerances					
Edge	aaa	N/A	Bottom	ddd	N/A
Substrate	bbb	N/A	Position	eee	N/A
top	ccc	N/A	Position	fff	N/A

ALL DIMENSIONS IN MILLIMETERS.



Generic Representation with Full Grid Array



<p>HSIO technologies PROPRIETARY AND CONFIDENTIAL</p> <p>THE INFORMATION CONTAINED IN THIS DRAWING IS THE SOLE PROPERTY OF HSIO TECHNOLOGIES, LLC. ANY REPRODUCTION IN PART OR AS A WHOLE WITHOUT THE WRITTEN PERMISSION OF HSIO TECHNOLOGIES, LLC IS PROHIBITED.</p>	UNLESS OTHERWISE SPECIFIED:	NAME	DATE	HSIO TECHNOLOGIES, LLC. 13400 68th AVENUE NORTH MAPLE GROVE, MINNESOTA 55311 763-447-6260	
	DIMENSIONS ARE IN MILLIMETERS	DRAWN	PAR		03/17/16
	TOLERANCES:	CHECKED	NSJ	03/17/16	TITLE:
	ANGULAR: ± 1° X.X ±0.25 X.XX ±0.10 X.XXX ±0.050	LEGEND:			SCKT, 254G40 11.5 X 13.0-0.50
INTERPRET GEOMETRIC TOLERANCING PER:	△ NOTE CALLOUT			DWG. NO.	
MATERIAL	○ REVISION CHANGE			109064-XXXX	
FINISH	○ ITEM NUMBER			REV	
DO NOT SCALE DRAWING	SEE BOM			A	
				SCALE: 10:1 SIZE: C SHEET 2 OF 2	