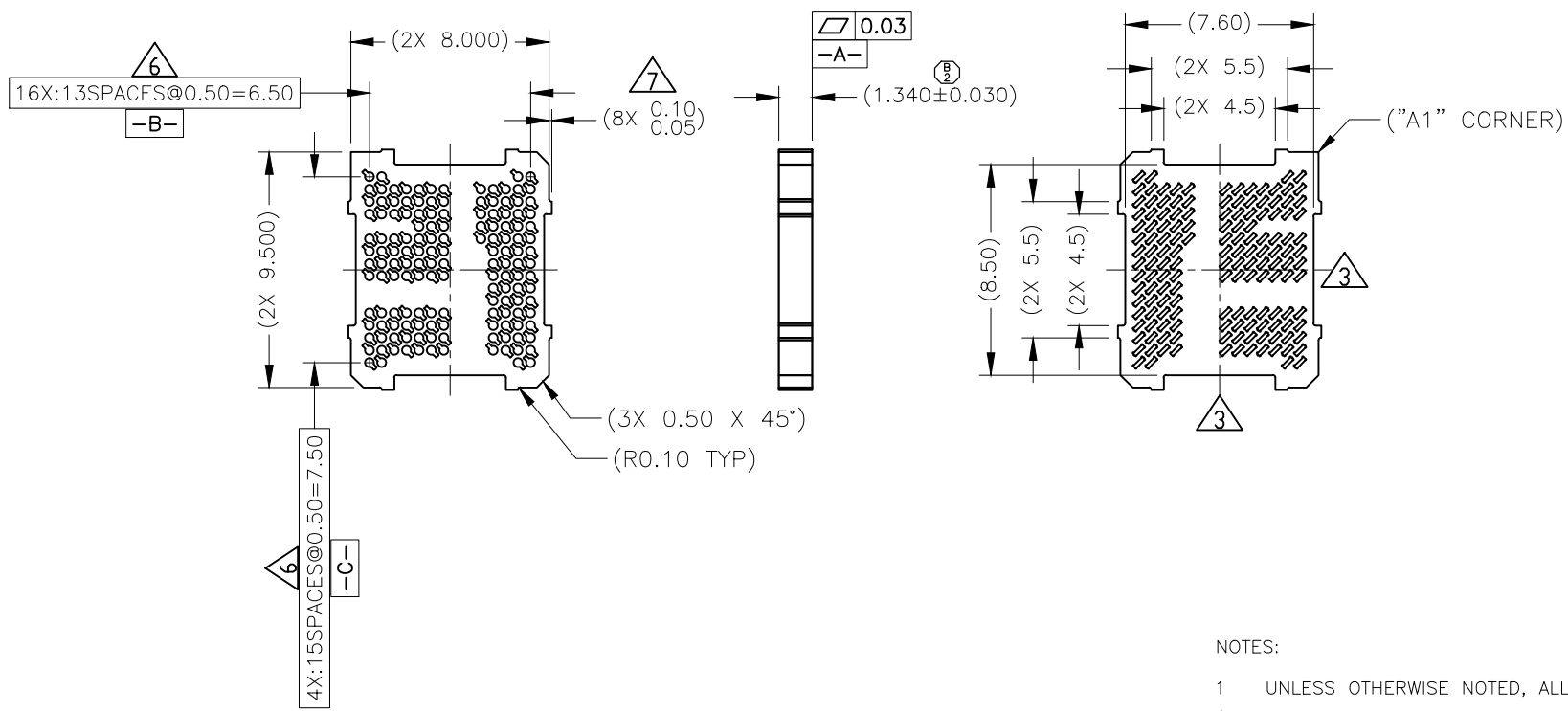


REV	ECO	BY	DESCRIPTION	APV	DATE
A	32069	RS	INITIAL DESIGN	NSJ	05/15/19
B	32069	RS	1) WAS 0.100; 2) WAS 1.390	NSJ	05/23/19



NOTES:

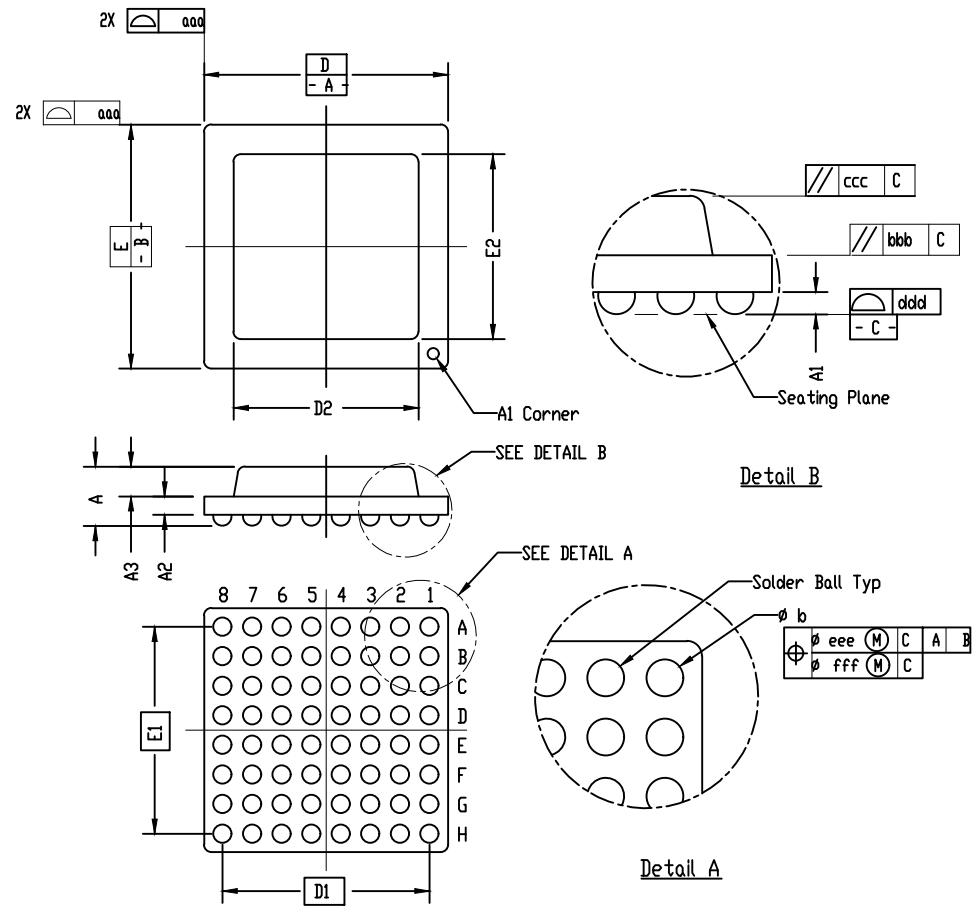
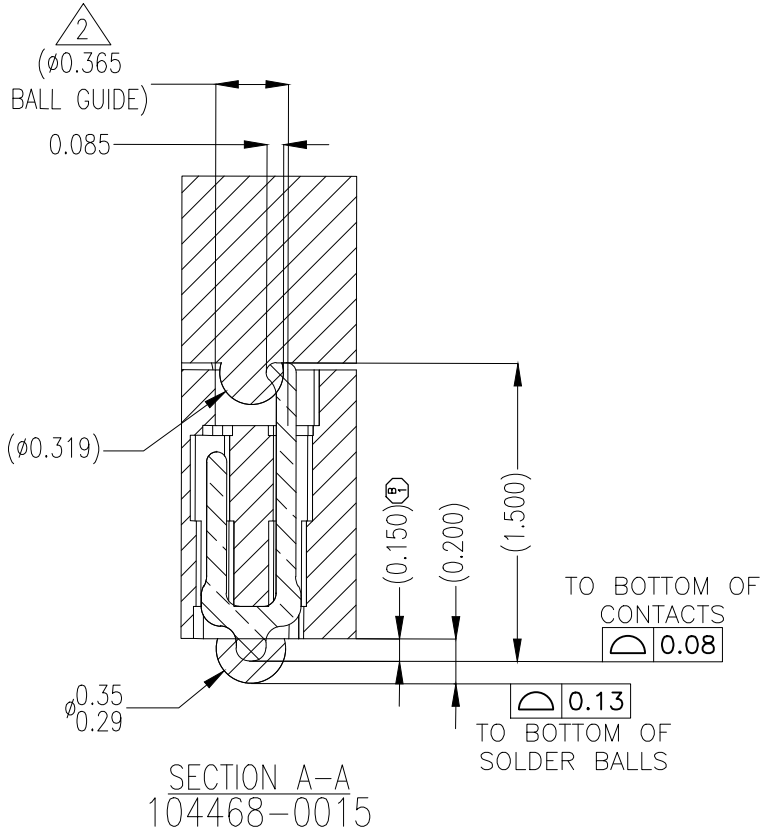
- UNLESS OTHERWISE NOTED, ALL FEATURES LOCATED  $\phi 0.10$  A B C
- DATUM'S -B- AND -C- ARE DETERMINED BY  $\phi 0.365$  FEATURES ON CORNER SLOTS.
- CENTER OF CONTACT PATTERN.
- REFERENCE HSIO TECHNOLOGIES SPECIFICATION 70001-0001 FOR SOLDER ATTACHMENT.
- REFERENCE HSIO TECHNOLOGIES SPECIFICATION 70001-0002 FOR APPLICATION NOTES.
- DIMENSION LOCATES CENTER OF CONTACT SLOT.
- TOOLING MARKS PERMITTED. MAXIMUM 0.10 PROTRUSION SHOWN.

PART NUMBER	DESCRIPTION
109124-0001	SCKT, 149G40 8.0X9.5-0.50 (EUTECTIC SOLDER BALLS)
109124-0002	SCKT, 149G40 8.0X9.5-0.50 (SAC305 SOLDER BALLS)
109124-0003	SCKT, 149G40 8.0X9.5-0.50 (WITHOUT SOLDER BALLS)
103864-0074	PRESS DEVICE INSERT, 8.0 X 9.0 (SOLD SEPARATELY)
104553-0522	STENCIL, FLEX, 149BGA 8.0X9.5-0.50 (SOLD SEPARATELY)
105900-0004	EXTRACTION TOOL, 4 X 53 (SOLD SEPARATELY)
108639-0127	ALIGNMENT FRAME, GRY 8.0 X 9.5 (SOLD SEPARATELY)

UNLESS OTHERWISE SPECIFIED - DIMENSIONS ARE IN MILLIMETERS - DIM'S APPLY AFTER PLATING		THE INFORMATION CONTAINED IN THIS DRAWING IS THE SOLE PROPERTY OF HSIO TECHNOLOGIES, LLC. ANY REPRODUCTION IN PART OR WHOLE WITHOUT THE WRITTEN PERMISSION OF HSIO TECHNOLOGIES, LLC. IS PROHIBITED.	
TOLERANCES UNLESS OTHERWISE NOTED:		CAD GENERATED DRAWING DO NOT MANUALLY UPDATE	
ANGLES ±1°	DECIMALS XX ±0.25 XXX ±0.10 XXXX ±0.050	DRAWING APPROVALS	
LEGEND:		NAME	DATE
(X) NOTE CALLOUT	(R) REVISION CHANGE	R. SEWHARACK	05/15/19
(X) ITEM NUMBER		N. ST JACQUE	05/15/19
THIRD ANGLE PROJECTION		TITLE	
		SCKT, 149G40 8.0X9.5-0.50, CUST	
		SCALE	NATURAL
		CAD FORMAT	AUTOCAD
		DRAWING NO.	109124-XXXX
		REV.	B
		CIRLEX	
		SHEET 1 of 1	

SOCKET FOR DEVICES THAT ARE WITHIN THESE SPECIFICATIONS					
Lead Count	N	149	Package Size	D	8.00
Columns	ND	14		E	9.50
Rows	NE	16	Ball Spacing	D1	6.500
Pitch	e	0.500		E1	7.500
Ball Size	b	0.30±0.05	Encapsulant/ Top Size	D2	N/A
Total Thickness	A	N/A		E2	N/A
Ball Height	A1	0.200 MIN	Pattern Style	IRREGULAR	
Substrate Thickness	A2	N/A	Perimeter Rows	N/A	
Top Thickness	A3		Center Array	N/A	
Form Tolerances					
Edge	aaa	N/A	Bottom	ddd	N/A
Substrate	bbb	N/A	Position	eee	N/A
Top	ccc	N/A	Position	fff	N/A

ALL DIMENSIONS ARE IN MILLIMETERS.



Generic Representation with Full Grid Array

THE INFORMATION CONTAINED IN THIS DRAWING IS THE SOLE PROPERTY OF HSIO TECHNOLOGIES, LLC. ANY REPRODUCTION IN PART OR WHOLE WITHOUT THE WRITTEN PERMISSION OF HSIO TECHNOLOGIES, LLC. IS PROHIBITED.

UNLESS OTHERWISE SPECIFIED - DIMENSIONS ARE IN MILLIMETERS - DIM'S APPLY AFTER PLATING TOLERANCES UNLESS OTHERWISE NOTED:

ANGLES	DECIMALS	
±1°	XX	±0.25
	XX	±0.10
	XXXX	±0.050

LEGEND:

- NOTE CALLOUT
- REVISION CHANGE
- ITEM NUMBER

HSIO TECHNOLOGIES, LLC. 13400 68TH AVENUE NORTH MAPLE GROVE, MN 55311. 763-447-6260	
TITLE	SCKT, 149G40 8.0X9.5-0.50, CUST
REV	B
SCALE	See Pg 1
SHEET	2 of 2