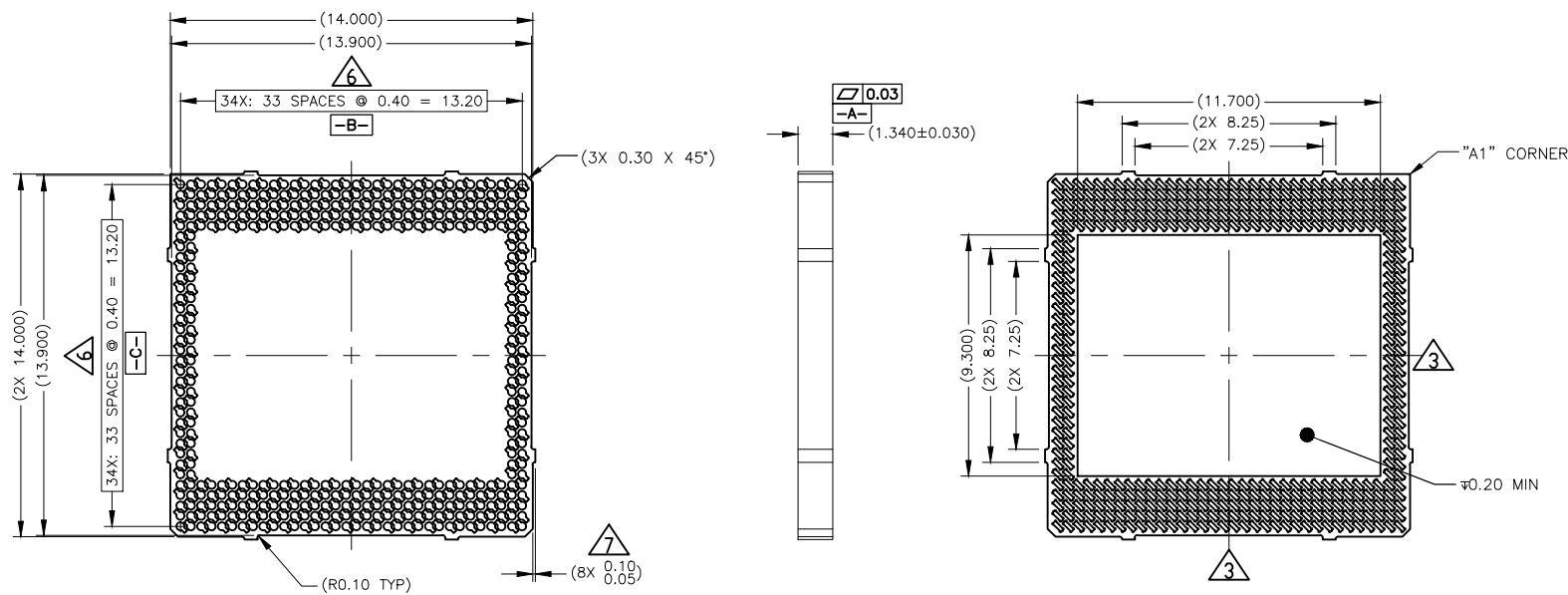


REV	ECO	BY	DESCRIPTION	APV	DATE
A	32113	AJN	INITIAL DESIGN	JB	10/29/19
B	32113	RS	WAS 0.082	JB	10/30/19



NOTES:

- UNLESS OTHERWISE NOTED, ALL FEATURES LOCATED $\phi 0.10$ A B C
- DATUM'S $-B-$ AND $-C-$ ARE DETERMINED BY $\phi 0.315$ FEATURES ON CORNER SLOTS.
- CENTER OF CONTACT PATTERN.
- REFERENCE HSIO TECHNOLOGIES SPECIFICATION 700001-0001 FOR SOLDER ATTACHMENT.
- REFERENCE HSIO TECHNOLOGIES SPECIFICATION 700001-0002 FOR APPLICATION NOTES.
- DIMENSION LOCATES CENTER OF CONTACT SLOT.
- TOOLING MARKS PERMITTED. MAXIMUM 0.10 PROTRUSION SHOWN.

PART NUMBER	DESCRIPTION
109133-0001	SCKT, 436G40 14.0-0.40, P.O.P (EUTECTIC SOLDER BALLS)
109133-0002	SCKT, 436G40 14.0-0.40, P.O.P (SAC305 SOLDER BALLS)
109133-0003	SCKT, 436G40 14.0-0.40, P.O.P (WITHOUT SOLDER BALLS)
103864-0004	PRESS DEVICE INSERT, 14.0 X 14.0 (SOLD SEPARATELY)
104553-0535	STENCIL, FLEX, 436BGA 14.0-0.40 (SOLD SEPARATELY)
105900-0004	EXTRACTION TOOL, 4 X 53 (SOLD SEPARATELY)
108639-0138	ALIGNMENT FRAME, GRY14.0 (SOLD SEPARATELY)

UNLESS OTHERWISE SPECIFIED - DIMENSIONS ARE IN MILLIMETERS - DIM'S APPLY AFTER PLATING

ANY REPRODUCTION IN PART OR WHOLE WITHOUT THE WRITTEN PERMISSION OF HSIO TECHNOLOGIES, LLC IS PROHIBITED.

CAD GENERATED DRAWING DO NOT MANUALLY UPDATE

HSIO TECHNOLOGIES, LLC.
13400 68TH AVENUE NORTH
MAPLE GROVE, MN 55311. 763-447-6260

DRAWING APPROVALS		TITLE
NAME	DATE	
A. NORD	10/29/19	SCKT, 436G40 14.0-0.40, P.O.P
J. BRANDT	10/29/19	

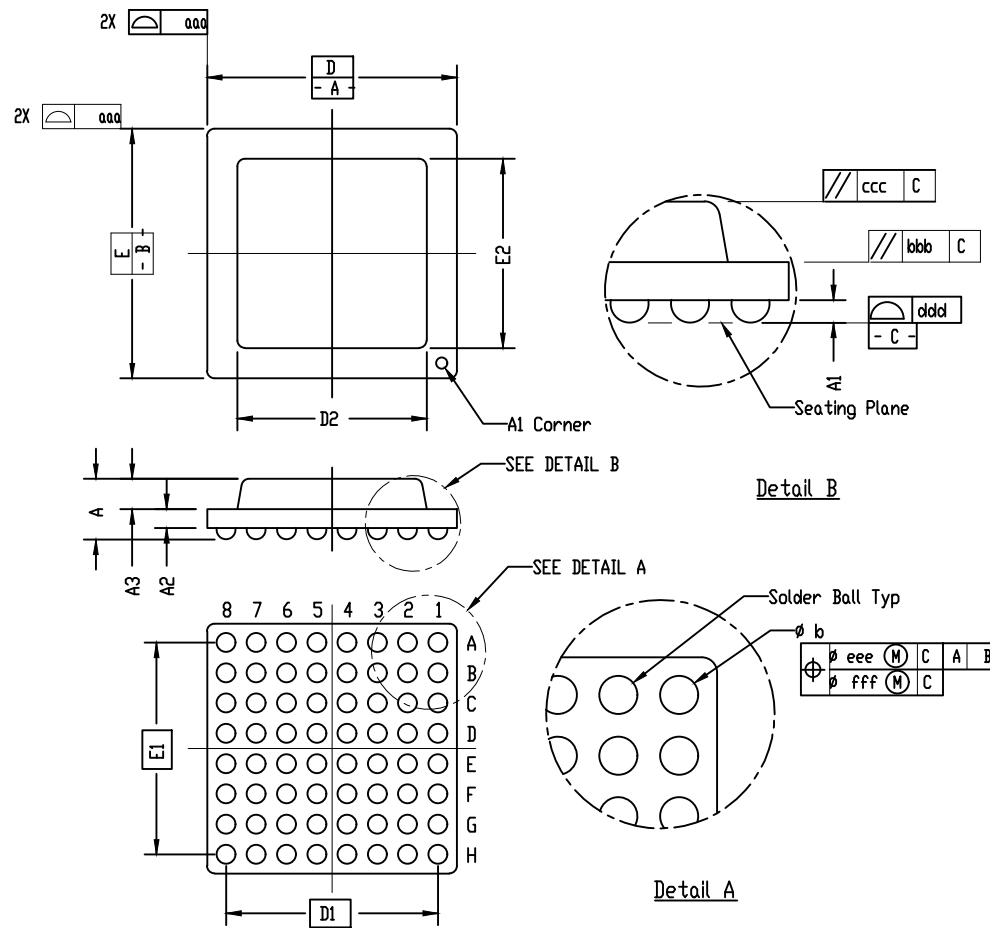
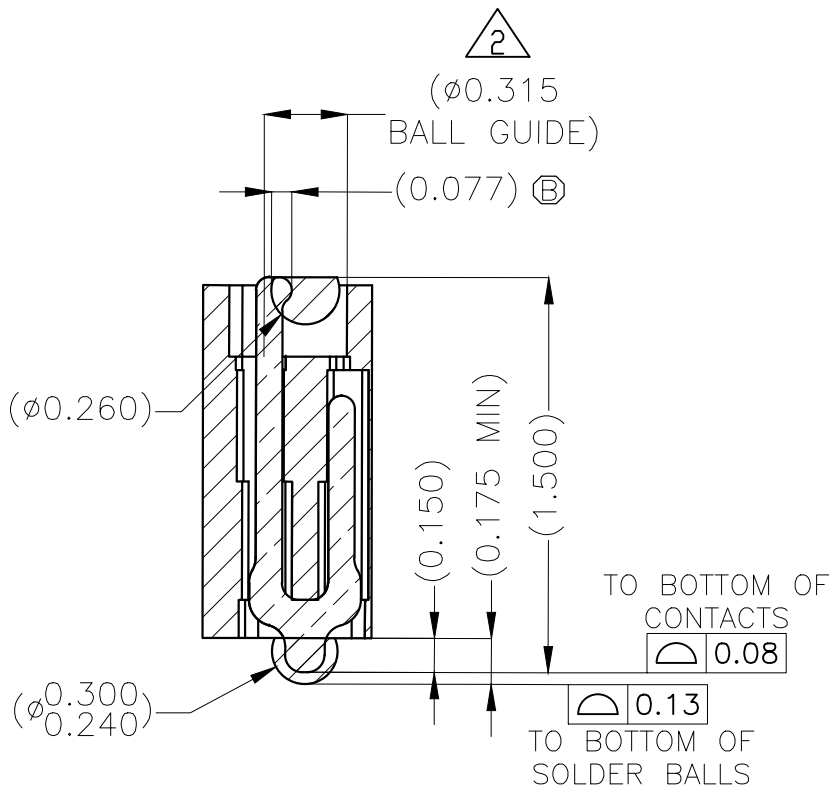
LEGEND:
 (X) NOTE CALLOUT
 (R) REVISION CHANGE
 (X) ITEM NUMBER

THIRD ANGLE PROJECTION

SIZE: C	QAD FORMAT: AUTOCAD	DRAWING NO: 109133-XXXX	REV: B
SCALE:	MATERIAL: CIRLEX	SHEET 1 of 2	

SOCKET FOR DEVICES THAT ARE WITHIN THESE SPECIFICATIONS					
Lead Count	N	436	Package Size	D	14.00
Columns	ND	34		E	14.00
Rows	NE	34	Ball Spacing	D1	13.200
Pitch	e	0.400		E1	13.200
Ball Size	b	0.25±0.05	Encapsulant/ Top Size	D2	N/A
Total Thickness	A	N/A		E2	N/A
Ball Height	A1	0.175 MIN	Pattern Style	PERIMETER	
Substrate Thickness	A2	N/A	Perimeter Rows	N/A	
Top Thickness	A3		Center Array	N/A	
Form Tolerances					
Edge	aaa	N/A	Bottom	ddd	N/A
Substrate	bbb	N/A	Position	eee	N/A
Top	ccc	N/A	Position	fff	N/A

ALL DIMENSIONS ARE IN MILLIMETERS.



THE INFORMATION CONTAINED IN THIS DRAWING IS THE SOLE PROPERTY OF HSIO TECHNOLOGIES, LLC. ANY REPRODUCTION IN PART OR WHOLE WITHOUT THE WRITTEN PERMISSION OF HSIO TECHNOLOGIES, LLC. IS PROHIBITED.			
UNLESS OTHERWISE SPECIFIED - DIMENSIONS ARE IN MILLIMETERS - DIM'S APPLY AFTER PLATING		HSIO TECHNOLOGIES, LLC. 13400 68TH AVENUE NORTH MAPLE GROVE, MN 55311. 763-447-6260	
TOLERANCES UNLESS OTHERWISE NOTED: ANGLES DECIMALS ±1" XX ±0.25 XXX ±0.10 XXXX ±0.050		TITLE SCKT, 436G40 14.0-0.40, P.O.P	
LEGEND: ① NOTE CALLOUT ② REVISION CHANGE ③ ITEM NUMBER	SCALE C	DRAWING NO. AUTOCAD 109133-XXXX	REV. B
SCALE NATURAL		SHEET 2 of 2	