

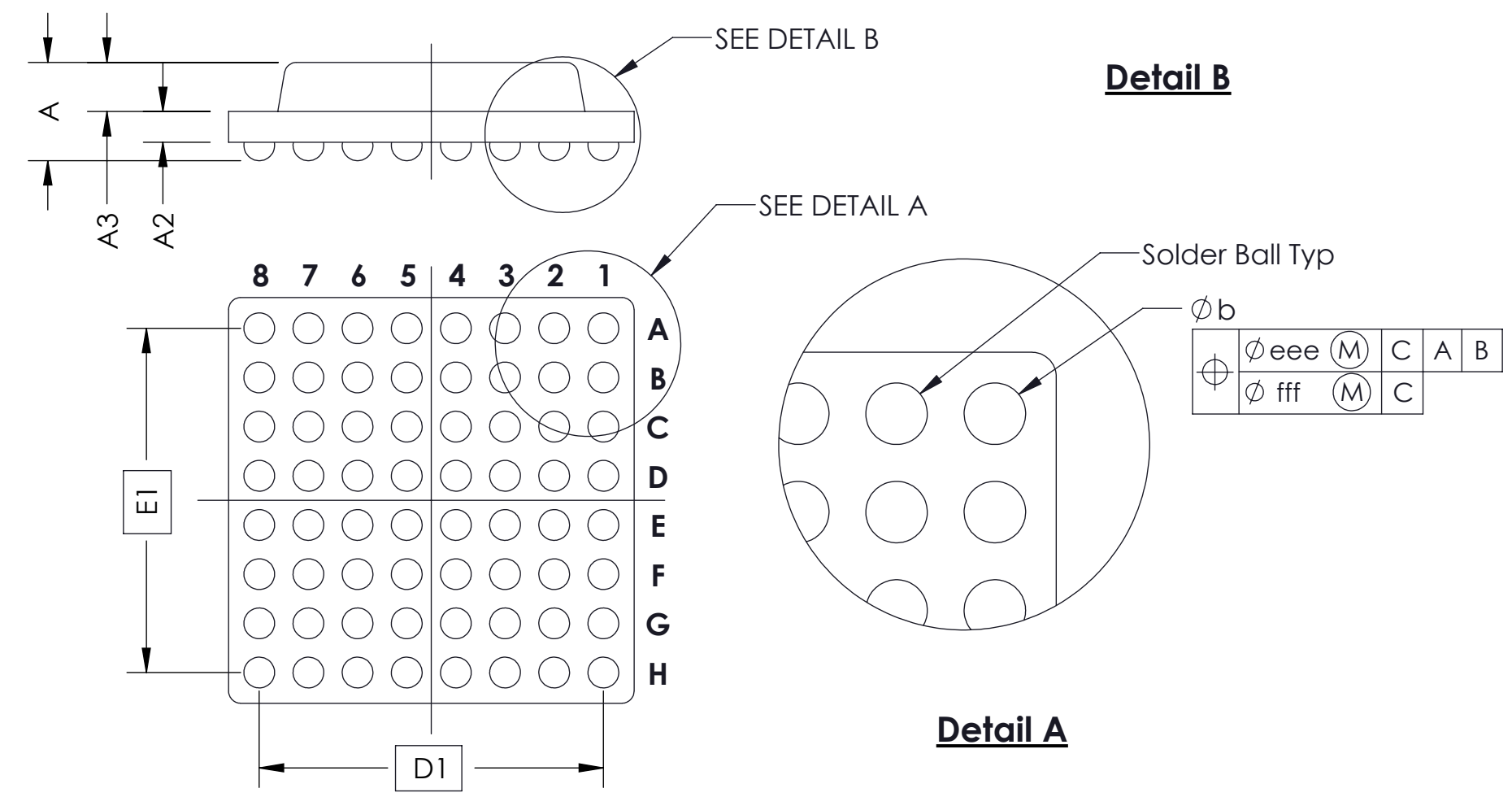
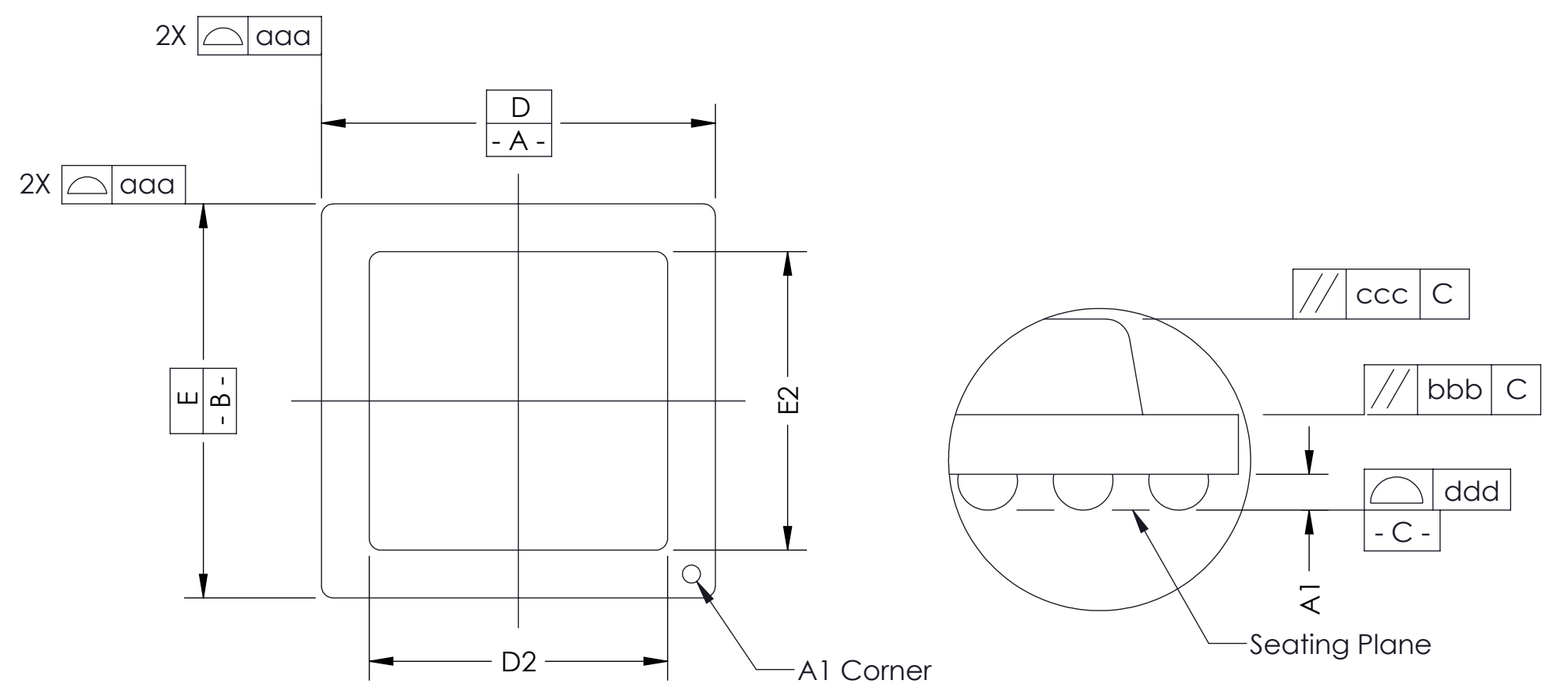
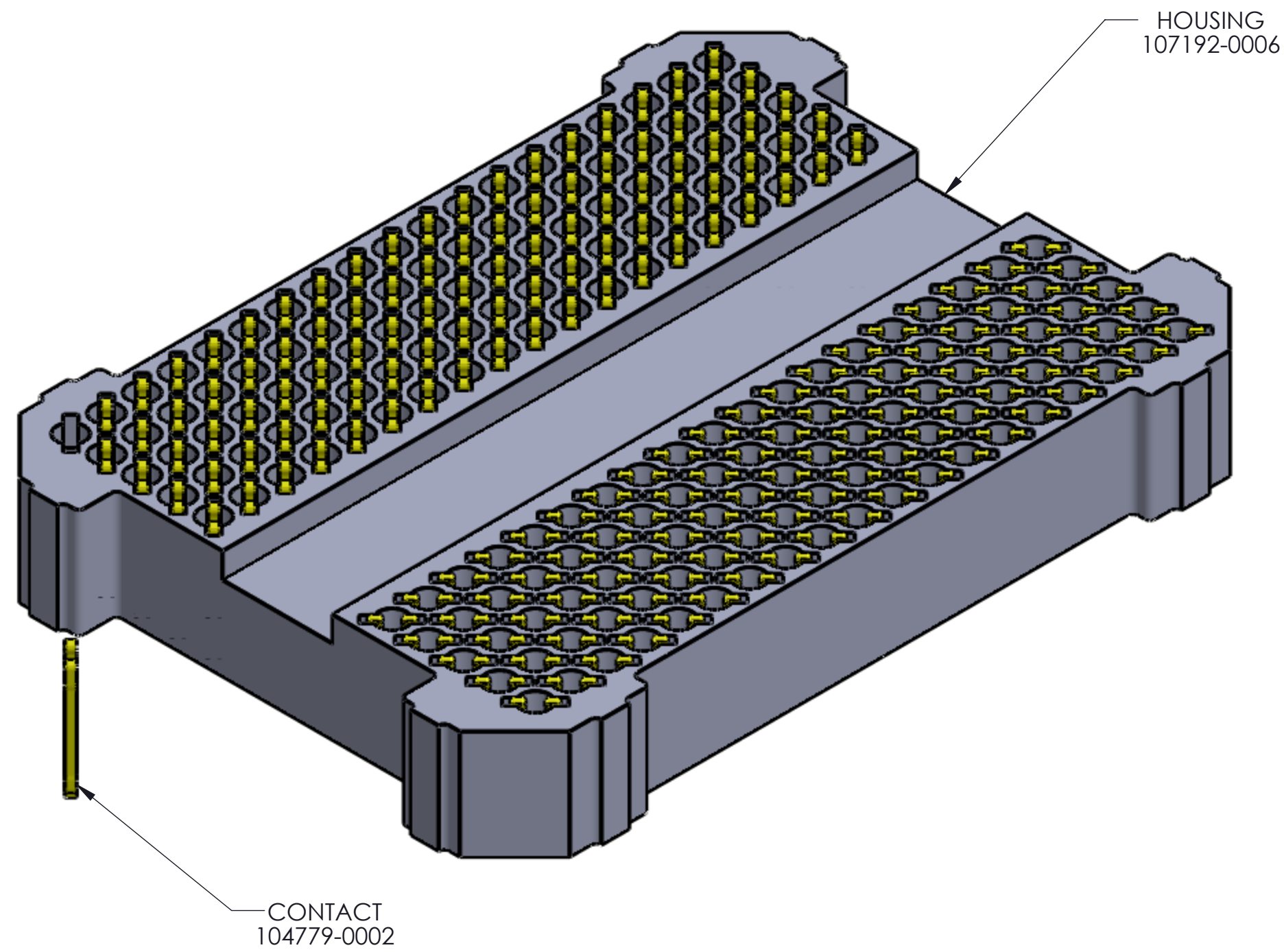
- Notes:
- Unless otherwise noted, all features located  $\oplus 0.10$  A B C
  - Datum's - B - and - C - are determined by  $\phi 0.500$  features on corner slots.
  - Center - E - of contact/solder ball pattern.
  - Reference HSIO Technologies specification 700001-0001 for solder attachment.
  - Reference HSIO Technologies specification 700001-0002 for application notes.
  - Dimension locates center of contact/slot.
  - Tooling marks permitted. Maximum 0.10 protrusion shown.
  - Dimension includes 0.10 protrusion.

PART NUMBER	DESCRIPTION
111008-0001	SCKT, 190GRY 10.0X14.0-0.65 (EUTECTIC SOLDER BALL)
111008-0002	SCKT, 190GRY 10.0X14.0-0.65 (SAC305 SOLDER BALL)
111008-0003	SCKT, 190GRY 10.0X14.0-0.65 (WITHOUT SOLDER BALL)
103864-0030	PRESS DEVICE INSERT, 10.0 X 13.0 (SOLD SEPARATELY)
104553-0396	STENCIL, FLEX, 190GRY 10.0X14.0-0.65 (SOLD SEPARATELY)
105900-0004	EXTRACTION TOOL, 4 X 53 (SOLD SEPARATELY)

<p><b>HSIO technologies</b> PROPRIETARY AND CONFIDENTIAL</p> <p>THE INFORMATION CONTAINED IN THIS DRAWING IS THE SOLE PROPERTY OF HSIO TECHNOLOGIES, LLC. ANY REPRODUCTION IN PART OR AS A WHOLE WITHOUT THE WRITTEN PERMISSION OF HSIO TECHNOLOGIES, LLC IS PROHIBITED.</p>	UNLESS OTHERWISE SPECIFIED:	NAME	DATE	<p><b>HSIO TECHNOLOGIES, LLC.</b> 13300 67th AVENUE NORTH MAPLE GROVE, MINNESOTA 55311 763-447-6260</p>	
	DIMENSIONS ARE IN MILLIMETERS	DRAWN	RS		07/16/15
	TOLERANCES: ANGULAR: ± 1° X.X ± 0.25 X.XX ± 0.10 X.XXX ± 0.050	CHECKED	NSJ		07/16/15
	INTERPRET GEOMETRIC TOLERANCING PER:	LEGEND:			TITLE:
MATERIAL	SEE B.O.M		△ NOTE CALLOUT	SCKT, 190GRY 10.0X14.0-0.65	
FINISH			○ REVISION CHANGE	DWG. NO. <b>111008-XXXX</b>	
DO NOT SCALE DRAWING			○ ITEM NUMBER	REV <b>A</b>	
				SCALE: 10:1 SIZE: C SHEET 1 OF 2	

SOCKET FOR DEVICES THAT ARE WITHIN THESE SPECIFICATIONS				
Lead Count	<b>N</b>	190	Package Size	<b>D</b> 10.00
Columns	<b>ND</b>	10		<b>E</b> 14.00
Rows	<b>NE</b>	19	Ball Spacing	<b>D1</b> 8.450
Pitch	<b>e</b>	0.650		<b>E1</b> 11.700
Ball Size	<b>b</b>	0.40±0.05	Encapsulant/ Top Size	<b>D2</b> N/A
Total Thickness	<b>A</b>	N/A		<b>E2</b> N/A
Ball Height	<b>A1</b>	0.250 MIN	Pattern Style	IRREGULAR
Substrate Thickness	<b>A2</b>	N/A	Perimeter Rows	N/A
Top Thickness	<b>A3</b>		Center Array	N/A
Form Tolerances				
Edge	<b>aaa</b>	0.20	Bottom	<b>ddd</b> 0.15
Substrate	<b>bbb</b>	0.20	Position	<b>eee</b> 0.20
Top	<b>ccc</b>	0.20	Position	<b>fff</b> 0.10

\* All dimensions are in millimeters.



**Generic Representation with Full Grid Array**

<p><b>HSIO technologies</b> PROPRIETARY AND CONFIDENTIAL</p> <p>THE INFORMATION CONTAINED IN THIS DRAWING IS THE SOLE PROPERTY OF HSIO TECHNOLOGIES, LLC. ANY REPRODUCTION IN PART OR AS A WHOLE WITHOUT THE WRITTEN PERMISSION OF HSIO TECHNOLOGIES, LLC IS PROHIBITED.</p>	UNLESS OTHERWISE SPECIFIED: DIMENSIONS ARE IN MILLIMETERS TOLERANCES: ANGULAR: ± 1° X.X ±0.25 X.XX ±0.10 X.XXX ±0.050	NAME: RS DATE: 07/16/15	<b>HSIO TECHNOLOGIES, LLC.</b> 13300 67th AVENUE NORTH MAPLE GROVE, MINNESOTA 55311 763-447-6260	
	INTERPRET GEOMETRIC TOLERANCING PER: MATERIAL: SEE B.O.M. FINISH:	CHECKED: NSJ DATE: 07/16/15		TITLE: SCKT,190GRY 10.0X14.0-0.65
	DO NOT SCALE DRAWING	LEGEND: △ NOTE CALLOUT ◻ REVISION CHANGE ○ ITEM NUMBER	DWG. NO. <b>111008-XXXX</b>	REV <b>A</b>
			SCALE: 10:1	SIZE: C