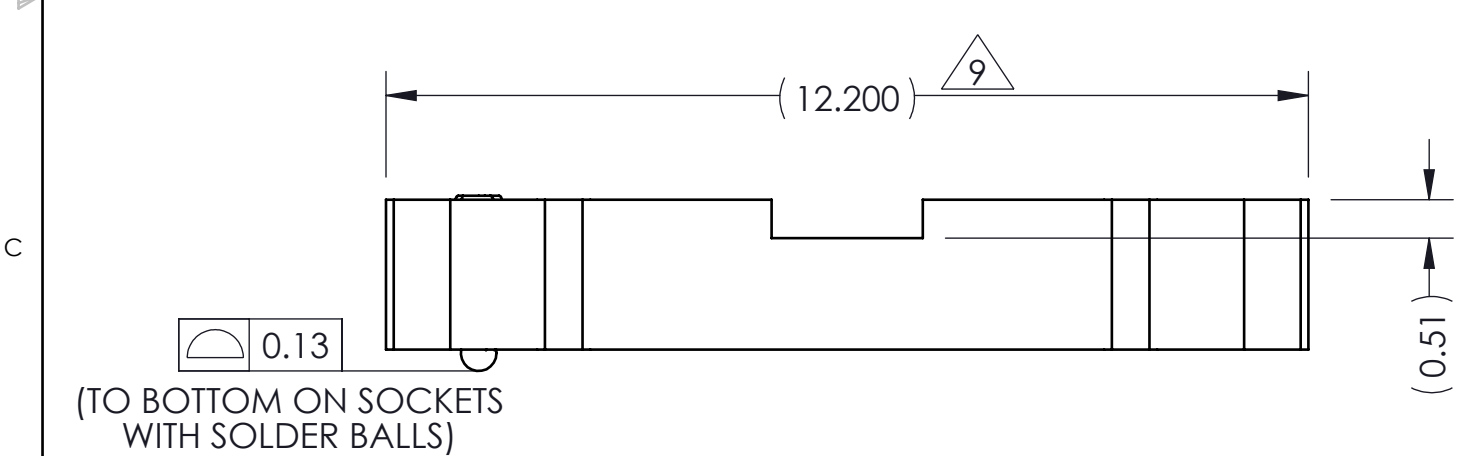
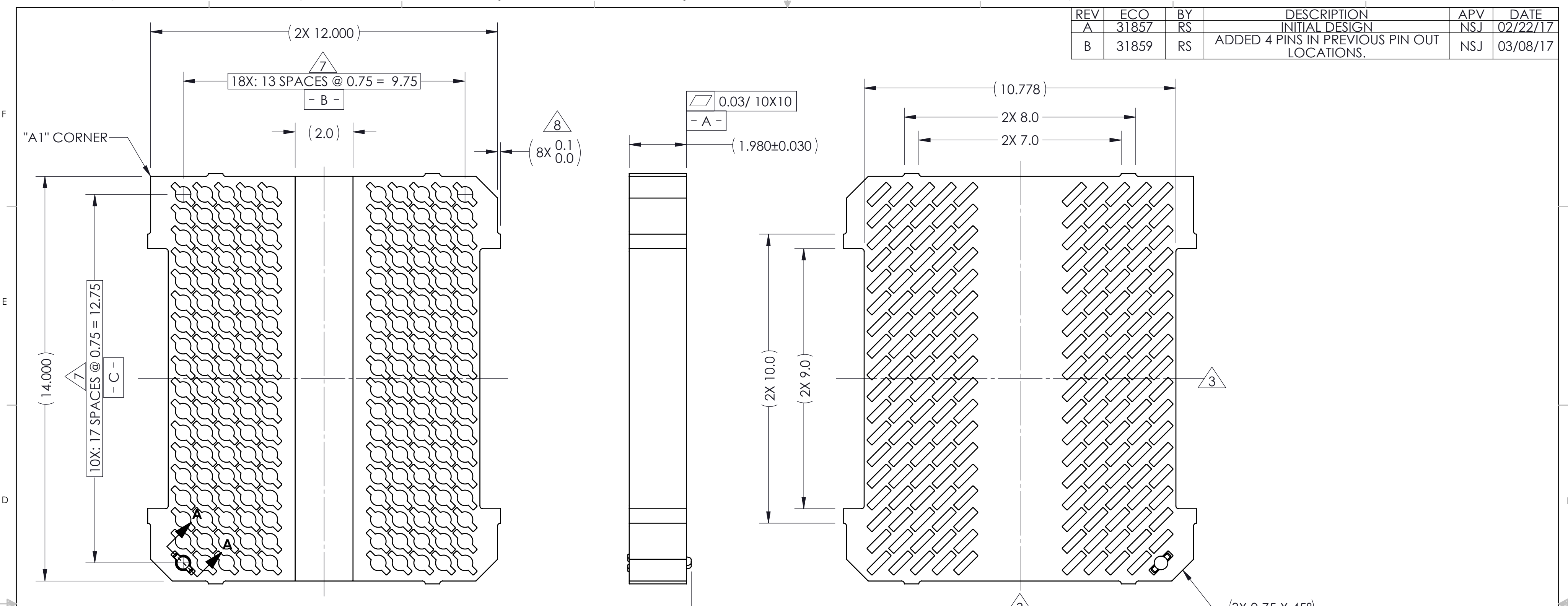
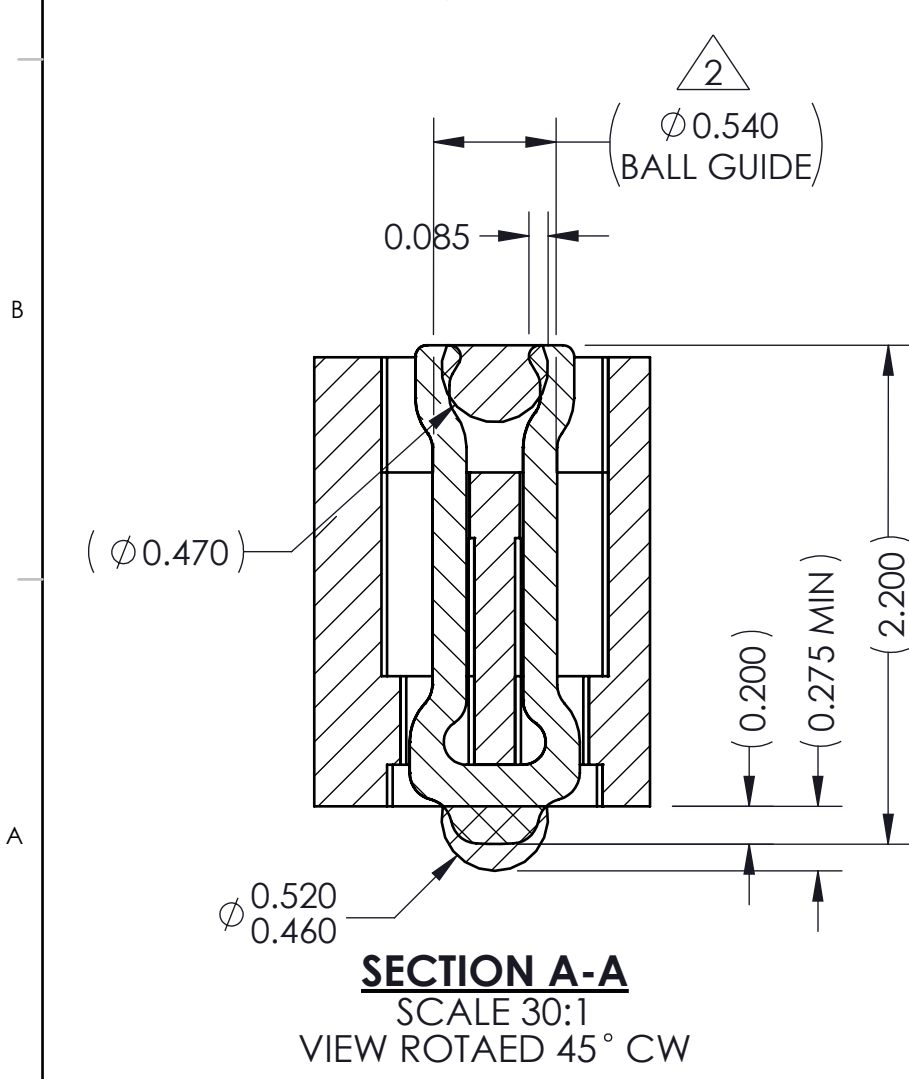


REV	ECO	BY	DESCRIPTION	APV	DATE
A	31857	RS	INITIAL DESIGN	NSJ	02/22/17
B	31859	RS	ADDED 4 PINS IN PREVIOUS PIN OUT LOCATIONS.	NSJ	03/08/17



(TO BOTTOM OF CONTACT ON SOCKETS WITHOUT SOLDER BALLS)



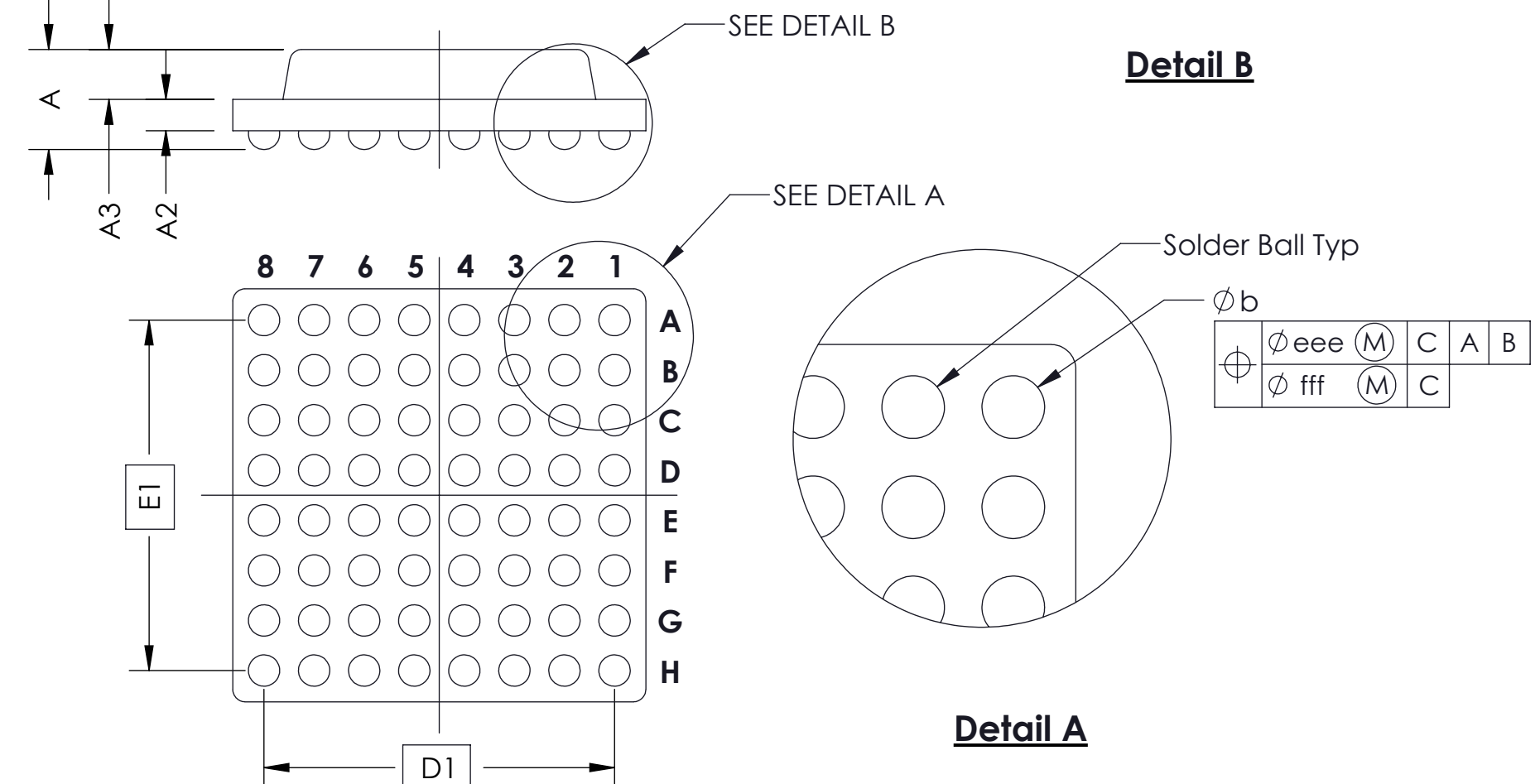
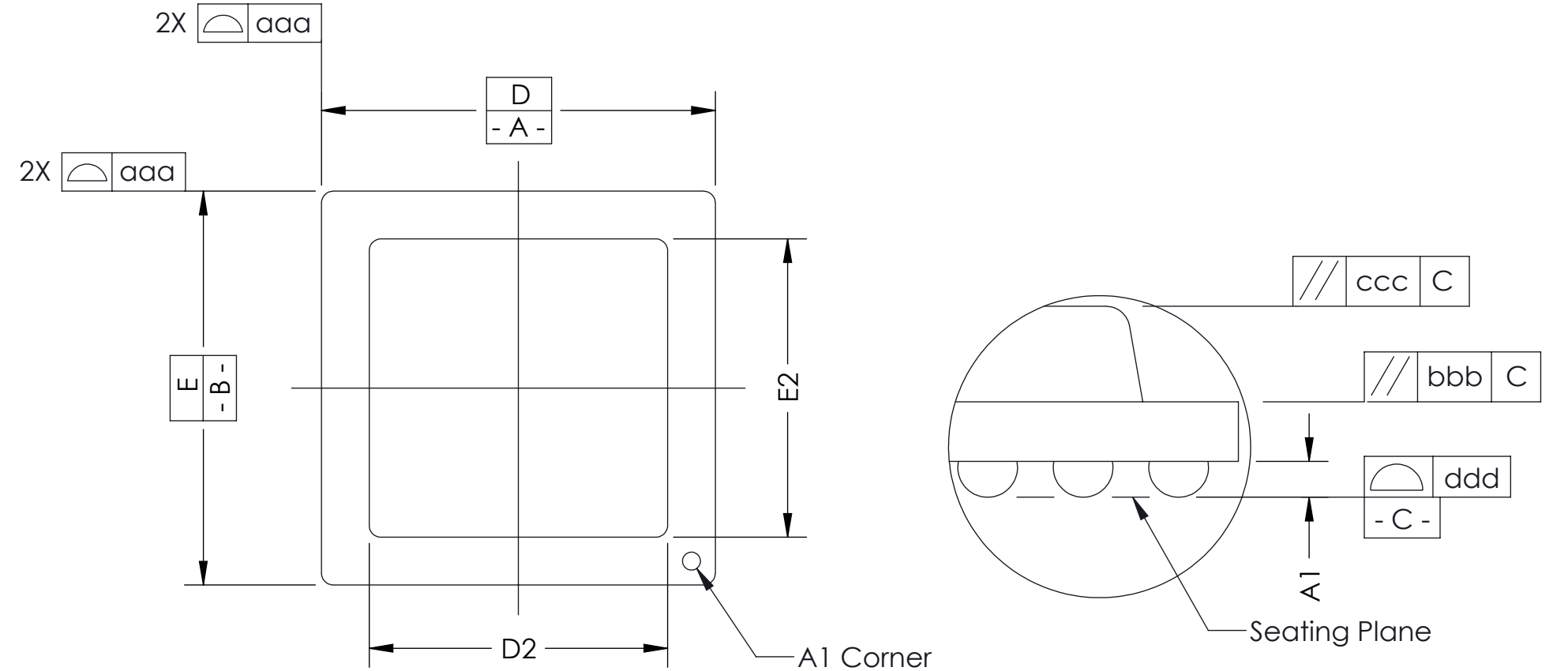
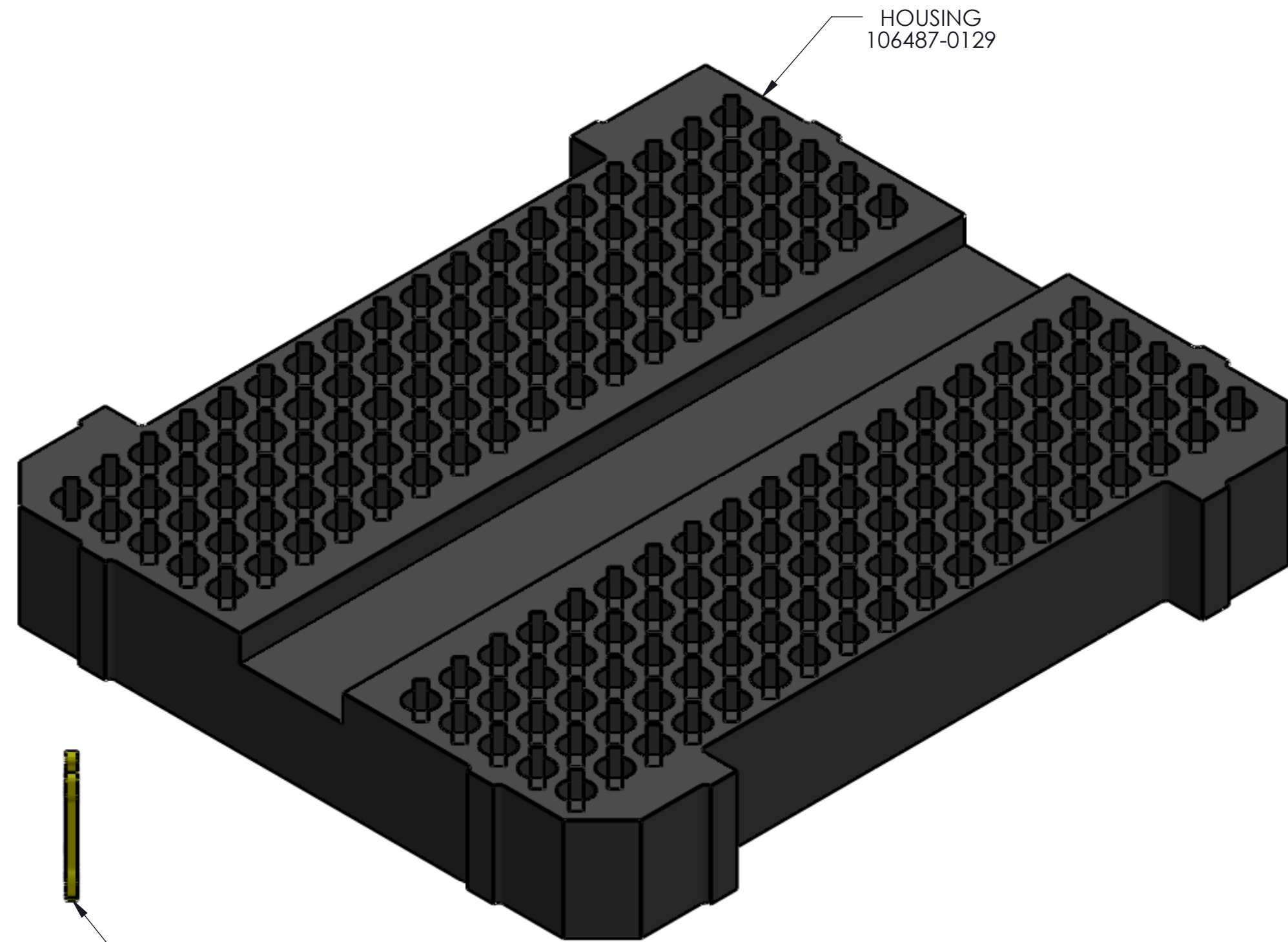
PART NUMBER	DESCRIPTION
111024-0001	SCKT, 180GRY 12.0X14.0-0.75 (EUTECTIC SOLDER BALL)
111024-0002	SCKT, 180GRY 12.0X14.0-0.75 (SAC305 SOLDER BALL)
111024-0003	SCKT, 180GRY 12.0X14.0-0.75 (WITHOUT SOLDER BALL)
103864-0066	PRESS DEVICE INSERT, 12.0 X 14.0 (SOLD SEPARATELY)
104553-0455	STENCIL, FLEX, 180GRY 12.0X14.0-0.75 (SOLD SEPARATELY)
105900-0004	EXTRACTION TOOL, 4 X 53 (SOLD SEPARATELY)

- NOTES:
- UNLESS OTHERWISE NOTED, ALL FEATURES LOCATED  $\pm 0.10$  A B C
  - DATUM'S - B - AND - C - ARE DETERMINED BY  $\phi 0.540$  FEATURES ON CORNER SLOTS.
  - CENTER OF CONTACT/SOLDER BALL PATTERN.
  - REFERENCE HSIO TECHNOLOGIES SPECIFICATION 700001-0001 FOR SOLDER ATTACHMENT.
  - REFERENCE HSIO TECHNOLOGIES SPECIFICATION 700001-0002 FOR APPLICATION NOTES.
  - DIMENSION LOCATES CENTER OF CONTACT/SLOT.
  - TOOLING MARKS PERMITTED. MAXIMUM 0.10 PROTRUSION SHOWN.
  - DIMENSION INCLUDES 0.10 PROTRUSION.

<p><b>HSIO technologies</b> PROPRIETARY AND CONFIDENTIAL</p> <p>THE INFORMATION CONTAINED IN THIS DRAWING IS THE SOLE PROPERTY OF HSIO TECHNOLOGIES, LLC. ANY REPRODUCTION IN PART OR AS A WHOLE WITHOUT THE WRITTEN PERMISSION OF HSIO TECHNOLOGIES, LLC IS PROHIBITED.</p>	UNLESS OTHERWISE SPECIFIED:	NAME	DATE	<b>HSIO TECHNOLOGIES, LLC.</b> 13400 68th AVENUE NORTH MAPLE GROVE, MINNESOTA 55311 763-447-6260	
	DIMENSIONS ARE IN MILLIMETERS	DRAWN	RS		02/22/17
	TOLERANCES:	CHECKED	NSJ	02/22/17	TITLE: <b>SCKT, 180GRY 12.0X14.0-0.75</b>
	ANGULAR: $\pm 1^\circ$ X.X $\pm 0.25$ X.XX $\pm 0.10$ X.XXX $\pm 0.050$	LEGEND:		DWG. NO.	
INTERPRET GEOMETRIC TOLERANCING PER:	△ NOTE CALLOUT □ REVISION CHANGE ○ ITEM NUMBER		111024-XXXX	B	
MATERIAL	DO NOT SCALE DRAWING		SCALE: 10:1	SIZE: C	SHEET 1 OF 2
SEE B.O.M					
FINISH					

SOCKET FOR DEVICES THAT ARE WITHIN THESE SPECIFICATIONS				
Lead Count	<b>N</b>	180	Package Size	<b>D</b> 12.00
Columns	<b>ND</b>	10		<b>E</b> 14.00
Rows	<b>NE</b>	18	Ball Spacing	<b>D1</b> 9.750
Pitch	<b>e</b>	0.75		<b>E1</b> 12.750
Ball Size	<b>b</b>	0.47±0.05	Encapsulant/ Top Size	<b>D2</b> N/A
Total Thickness	<b>A</b>	N/A		<b>E2</b> N/A
Ball Height	<b>A1</b>	0.275 MIN	Pattern Style	IRREGULAR
Substrate Thickness	<b>A2</b>	N/A	Perimeter Rows	N/A
Top Thickness	<b>A3</b>		Center Array	N/A
Form Tolerances				
Edge	<b>aaa</b>	0.20	Bottom	<b>ddd</b> 0.15
Substrate	<b>bbb</b>	0.20	Position	<b>eee</b> 0.20
Top	<b>ccc</b>	0.20	Position	<b>fff</b> 0.10

\* ALL DIMENSIONS ARE IN MILLIMETERS.



**Generic Representation with Full Grid Array**

<p><b>HSIO technologies</b> PROPRIETARY AND CONFIDENTIAL</p> <p>THE INFORMATION CONTAINED IN THIS DRAWING IS THE SOLE PROPERTY OF HSIO TECHNOLOGIES, LLC. ANY REPRODUCTION IN PART OR AS A WHOLE WITHOUT THE WRITTEN PERMISSION OF HSIO TECHNOLOGIES, LLC IS PROHIBITED.</p>	UNLESS OTHERWISE SPECIFIED:	NAME	DATE	<b>HSIO TECHNOLOGIES, LLC.</b> 13400 68th AVENUE NORTH MAPLE GROVE, MINNESOTA 55311 763-447-6260	
	DIMENSIONS ARE IN MILLIMETERS	DRAWN	RS		02/22/17
	TOLERANCES:	CHECKED	NSJ	02/22/17	TITLE: <b>SCKT, 180GRY</b> <b>12.0X14.0-0.75</b>
	ANGULAR: ± 1°	LEGEND:		DWG. NO. <b>111024-XXXX</b>	
X.X ±0.25	INTERPRET GEOMETRIC TOLERANCING PER:	△ NOTE CALLOUT	REV <b>B</b>		
X.XX ±0.10	MATERIAL	◇ REVISION CHANGE	SCALE: 10:1	SIZE: C	
X.XXX ±0.050	FINISH	○ ITEM NUMBER	SHEET 2 OF 2		
	SEE B.O.M				
	DO NOT SCALE DRAWING				