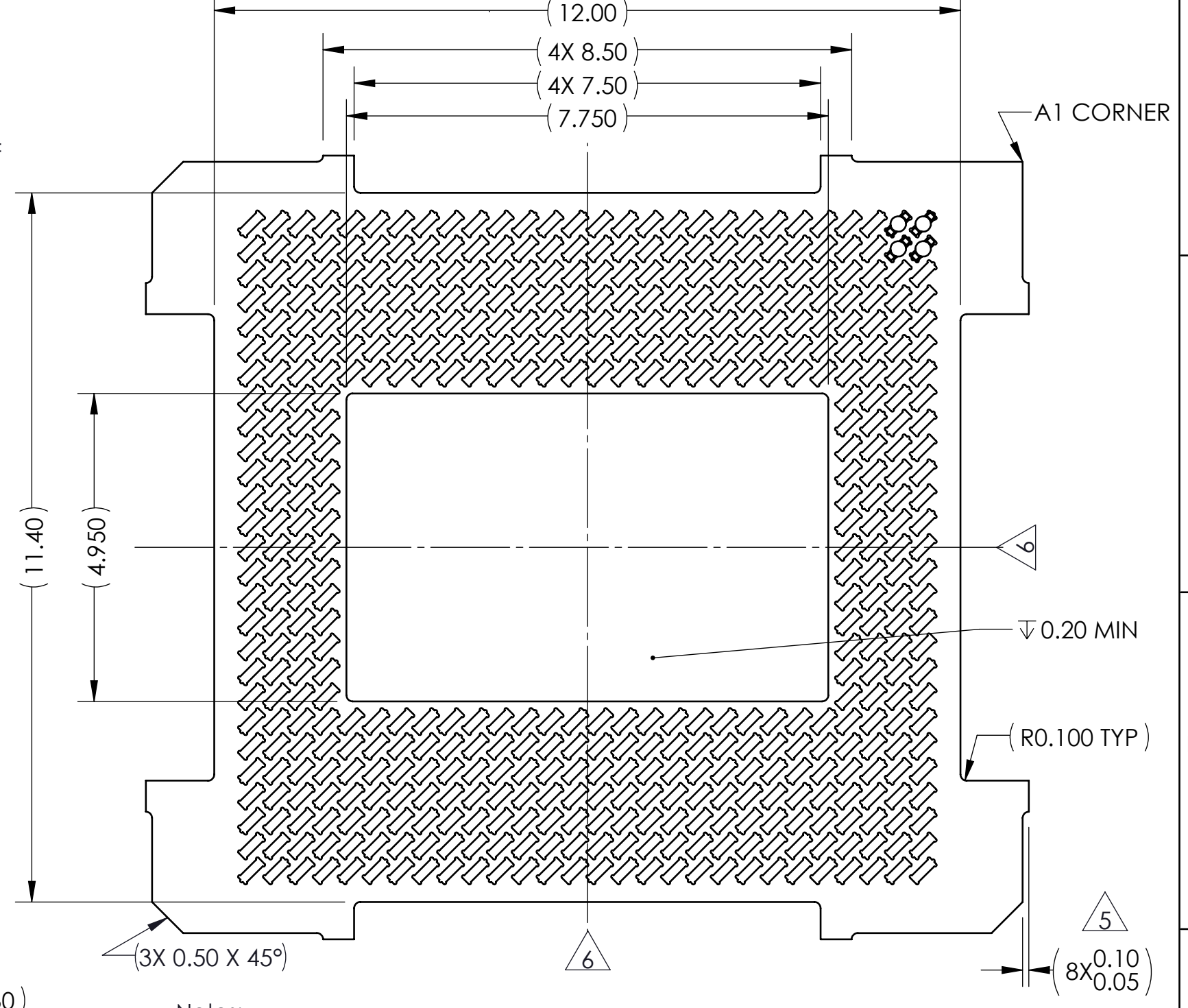
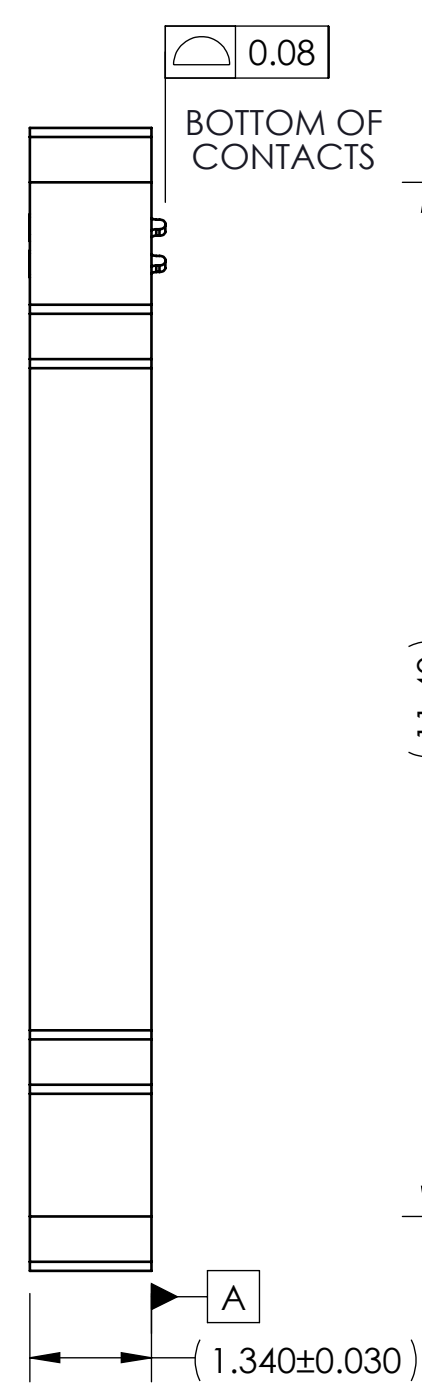
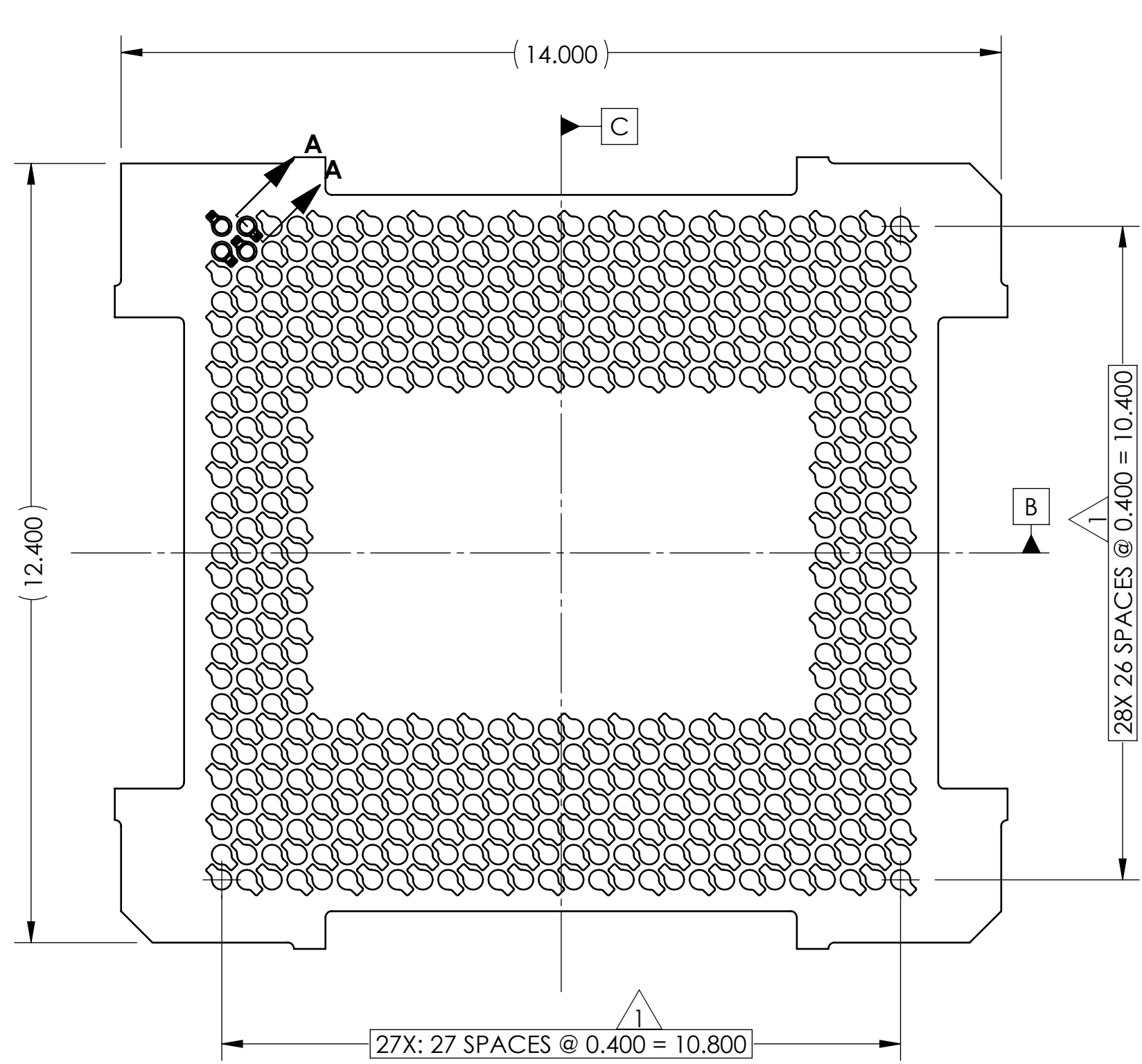
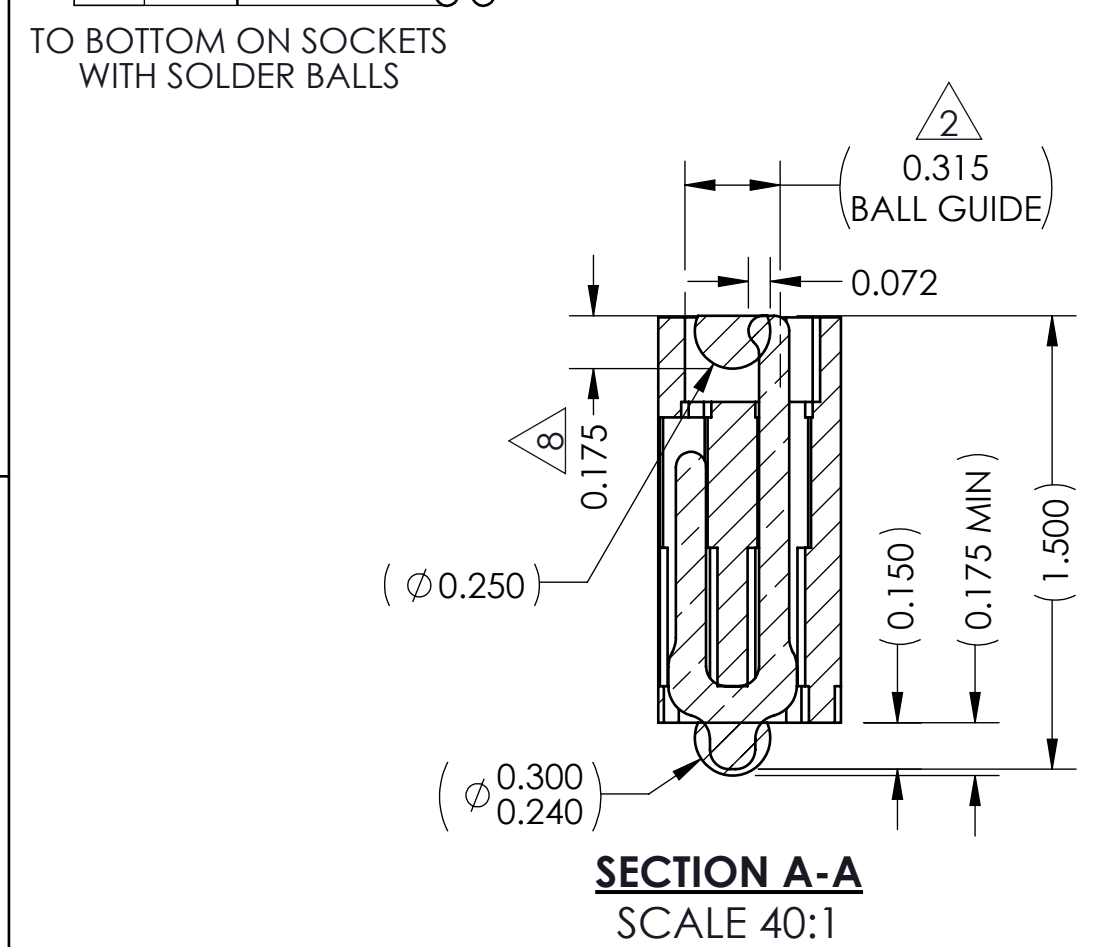
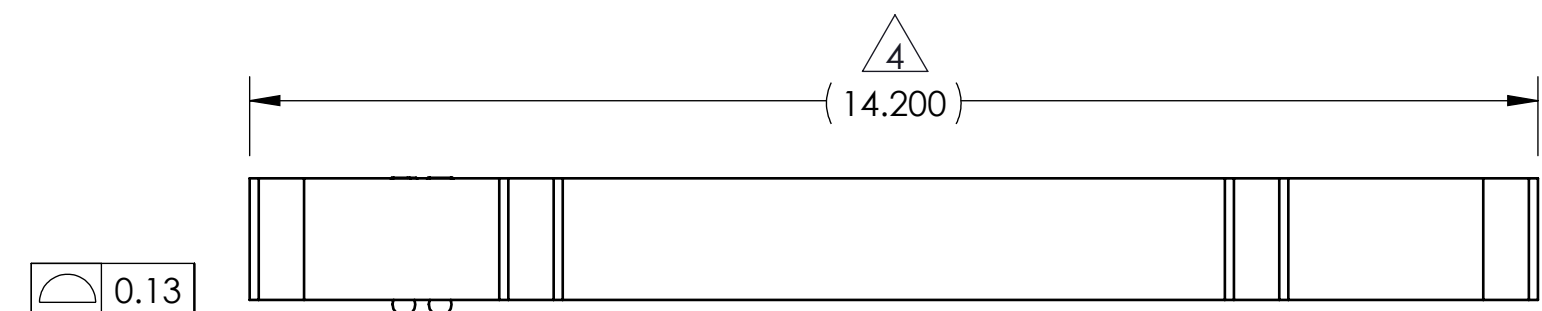


REV	ECO	BY	DESCRIPTION	APV	DATE
A	XXXX	DJP	INITIAL DESIGN	DJP	9/25/20



- Notes:
- 1 LOCATES CENTER OF CONTACT SLOTS.
 - 2 DATUM B AND C DETERMINED BY Ø0.315 OPENING IN CORNER SLOTS.
 - 3 UNLESS OTHERWISE NOTED, ALL FEATURES LOCATED $\oplus 0.10$ A B C.
 - 4 INCLUDES TOOLING PROTRUSIONS.
 - 5 TOOLING MARKS PERMITTED. MAXIMUM 0.10 PROTRUSION SHOWN.
 - 6 CENTERLINE OF SOCKET.
 - 7 CONTACT NUMBER: 104468-0014.
 - 8 MINIMUM SOLDER BALL EXPOSURE IS: 1/2 (Ø OF SOLDER BALL) + 0.05mm .
 - 9 HOUSING NUMBER: 107247-0109.
 - 10 SEE CUSTOMER'S P.O.D. FOR ANY MISSING FORM TOLERANCE AND/OR DIMENSIONS.
 - 11 SOCKET SHOWN FOR DEVICES THAT ARE WITHIN SPECIFIED SPECIFICATIONS.



PART NUMBER	DESCRIPTION
GR1074-0001	SCKT, 496G40 14.0X12.4-0.40, PoP, EUT (EUTECTIC SOLDER BALL)
GR1074-0002	SCKT, 496G40 14.0X12.4-0.40, PoP, SAC305 (SAC305 SOLDER BALL)
GR1074-0003	SCKT, 496G40 14.0X12.4-0.40, PoP, W/O (WITHOUT SOLDER BALL)
103864-0066	PRESS DEVICE 12.0X14.0 (SOLD SEPARATELY)
104553-0508	STEN, FLEX, 496BGA 14.0X12.4-0.40 (SOLD SEPARATELY)
108639-0119	FRAME, ALIGN, GRY 14.0 X 12.4 (SOLD SEPARATELY)
105900-0004	EXTRACTION TOOL, 4 X 53 (SOLD SEPARATELY)

UNLESS OTHERWISE SPECIFIED - DIMENSIONS ARE IN MILLIMETERS - DIMS APPLY AFTER PLATING TOLERANCES UNLESS OTHERWISE NOTED:

ANGLES ±1° DECIMALS X.X ±0.25 X.XX ±0.10 X.XXX ±0.050

LEGEND:
 (X) NOTE CALLOUT
 (A) REVISION CHANGE
 (X) ITEM NUMBER

THE INFORMATION CONTAINED IN THIS DRAWING IS THE SOLE PROPERTY OF IRONWOOD ELECTRONICS, INC. ANY REPRODUCTION IN PART OR WHOLE WITHOUT THE WRITTEN PERMISSION OF IRONWOOD ELECTRONICS, INC. IS PROHIBITED.

CAD GENERATED DRAWING DO NOT MANUALLY UPDATE

DRAWING APPROVALS

NAME	DATE
DJP	9/25/20
RS	9/25/20

DRAWN BY: DJP DATE: 9/25/20
 APPVD BY: RS DATE: 9/25/20

THIRD ANGLE PROJECTION

IRONWOOD ELECTRONICS, INC
 1335 EAGANDALE CT.
 EAGAN, MN 55121. 952-229-8200

SCKT, 496G40 14.0X12.4-0.40, PoP

SCALE: C CAD FORMAT: SOLIDWORKS DRAWING NO: GR1074-XXXX REV: A

SEE B.O.M. SHEET: 1 of 1