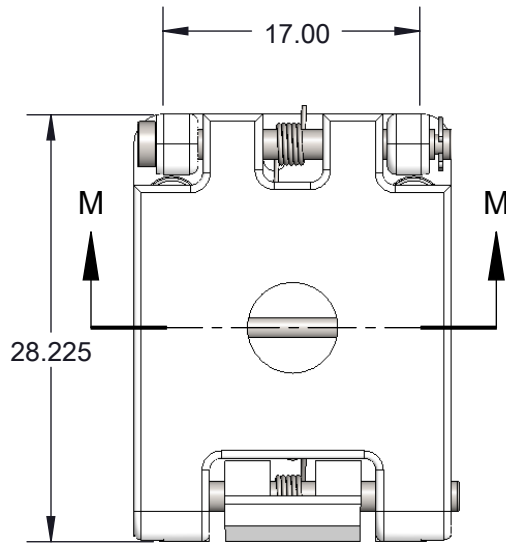


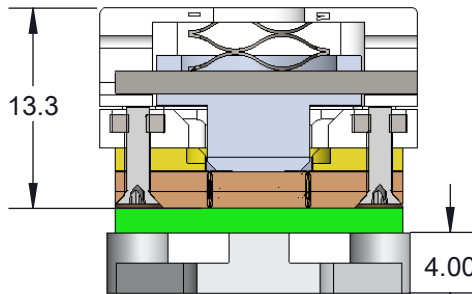
SBT-QFN DIRECT MOUNT, SOLDERLESS SOCKET FOR BURN-IN AND TEST APPLICATIONS

FEATURES:

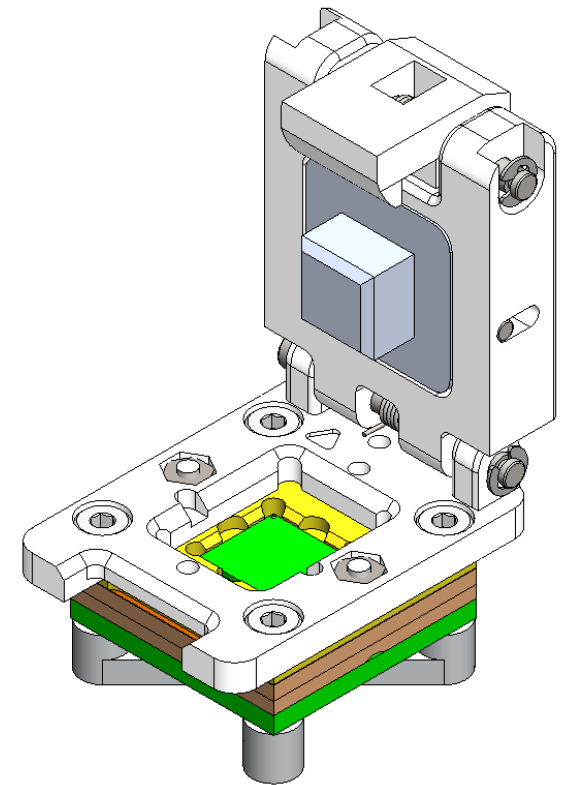
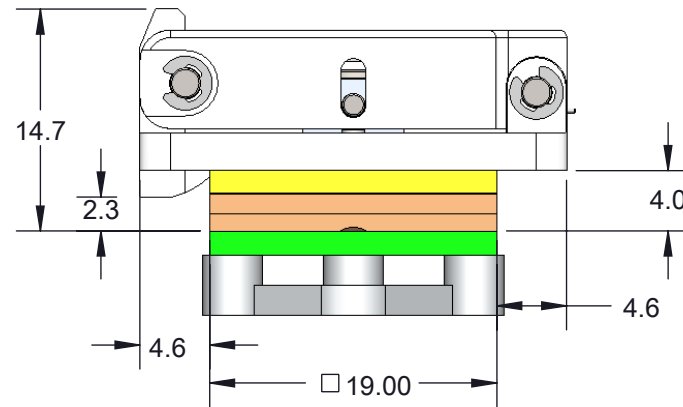
- Wide temperature range (-55C to +180C)
- High current capability 1.8A
- Excellent signal integrity at high frequencies
- Low and stable contact resistance for reliable production yield
- Highly compliant to accommodate wide co-planarity variations
- Automated probe manufacturing enables low cost and short lead time



TOP VIEW




SECTION M-M

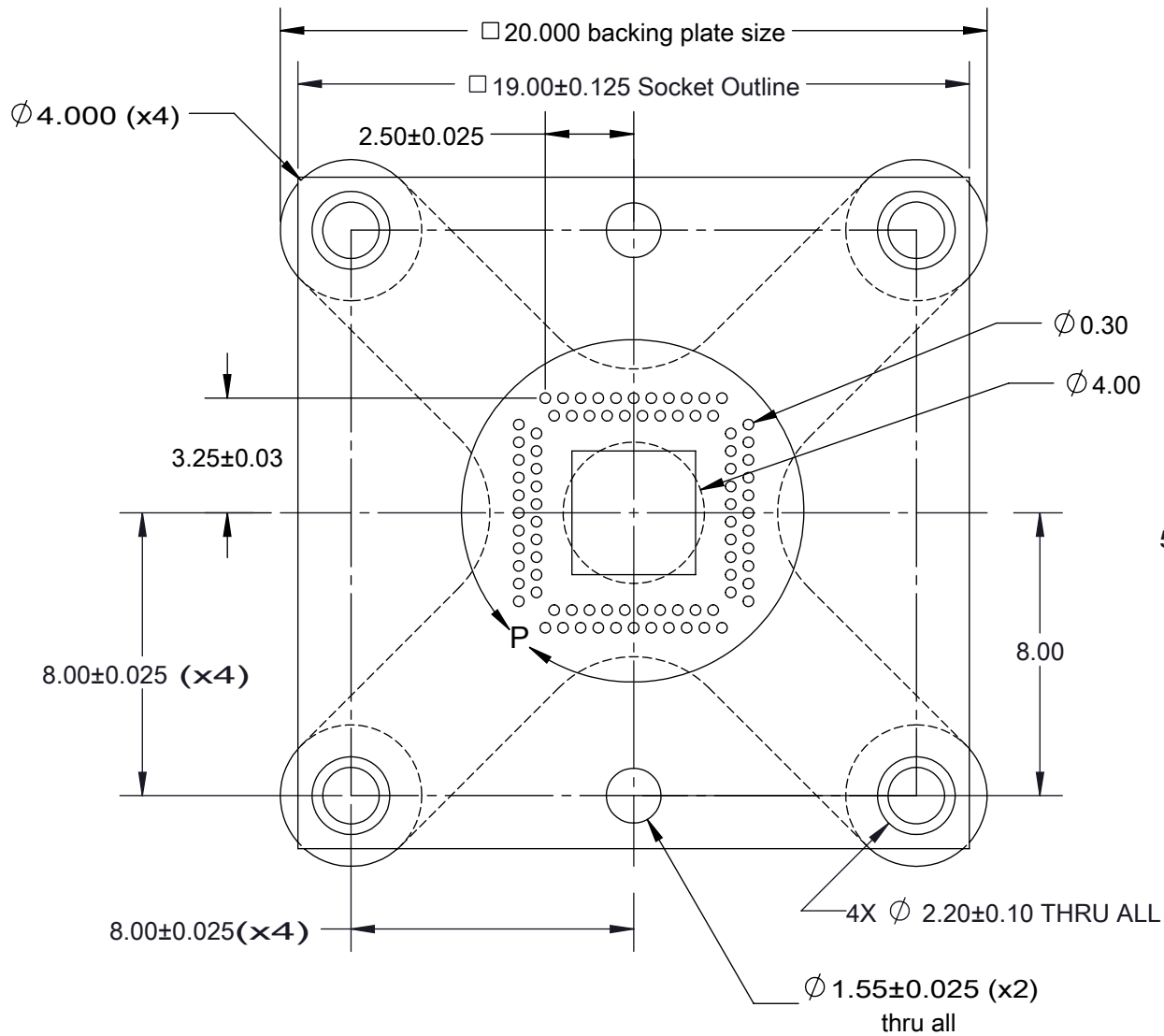


Description: CBT-QFN84 7mm 0.5mm pitch

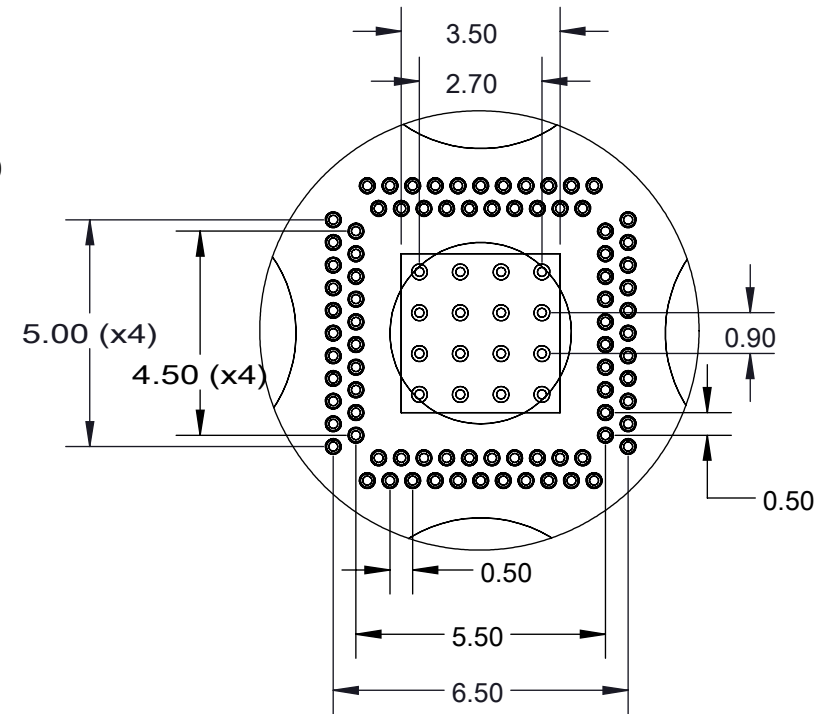
Primary dimension units are millimeters, Secondary dimension units are [inches], Weight is in grams.

Tolerances: Hole diameters $\pm 0.03\text{mm}$ [± 0.001 "]. Pitches (from true position) $\pm 0.025\text{mm}$ [± 0.001 "], substrate thickness tolerance $\pm 10\%$, all other tolerances $\pm 0.13\text{mm}$ [± 0.005 "] unless stated otherwise. Materials and specifications are subject to change without notice.

 <p>CBT-AQFN-7000 Drawing Ironwood Electronics, Inc. Tele: (800) 404-0204 www.ironwoodelectronics.com</p>	<p>Material: Material <not specified> Finish: Weight: 12.17</p>	STATUS: Released	SHEET: 1 OF 4	REV. B
		ENG: E. Smolentseva	DRAWN BY: M. Raske	SCALE: 2:1
		FILE: CBT-AQFN-7000 Dwg	DATE: 11/20/2013	



Pin placement info.




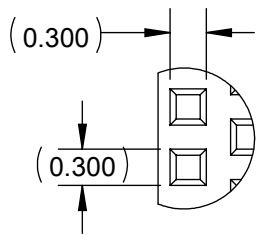
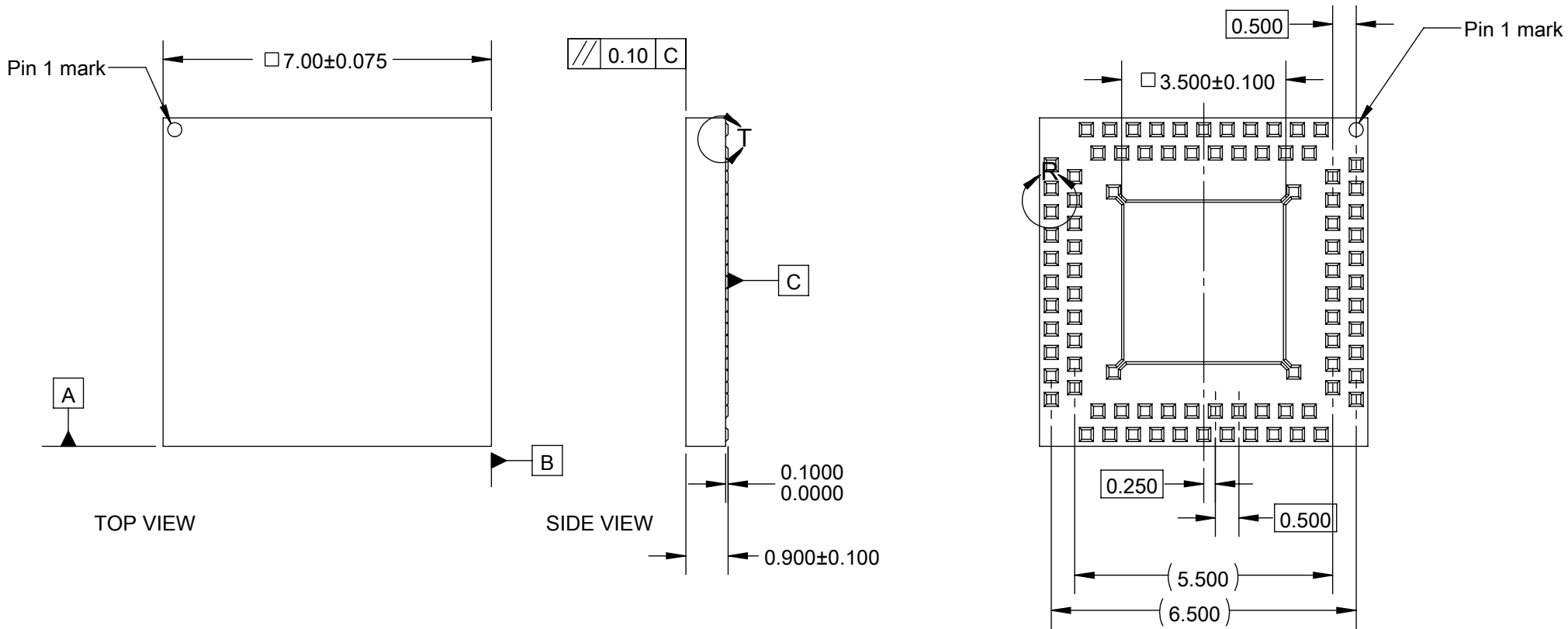
DETAIL P
SCALE 6 : 1

Description: Recommended PCB Layout

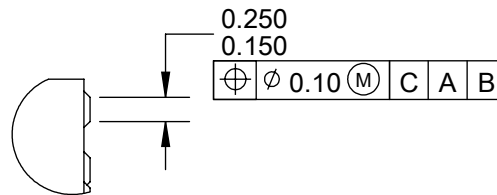
Primary dimension units are millimeters, Secondary dimension units are [inches], Weight is in grams.

Tolerances: Hole diameters ±0.03mm [±0.001"], Pitches (from true position) ±0.025mm [±0.001"], substrate thickness tolerance ±10%, all other tolerances ±0.13mm [±0.005"] unless stated otherwise. Materials and specifications are subject to change without notice.

 <p>CBT-AQFN-7000 Drawing Ironwood Electronics, Inc. Tele: (800) 404-0204 www.ironwoodelectronics.com</p>	<p>Material: Material <not specified> Finish: Weight: 12.17</p>	STATUS: Released	SHEET: 2 OF 4	REV. B
		ENG: E. Smolentseva	DRAWN BY: M. Raske	SCALE: 5:1
		FILE: CBT-AQFN-7000 Dwg	DATE: 11/20/2013	



DETAIL R
SCALE 16 : 1




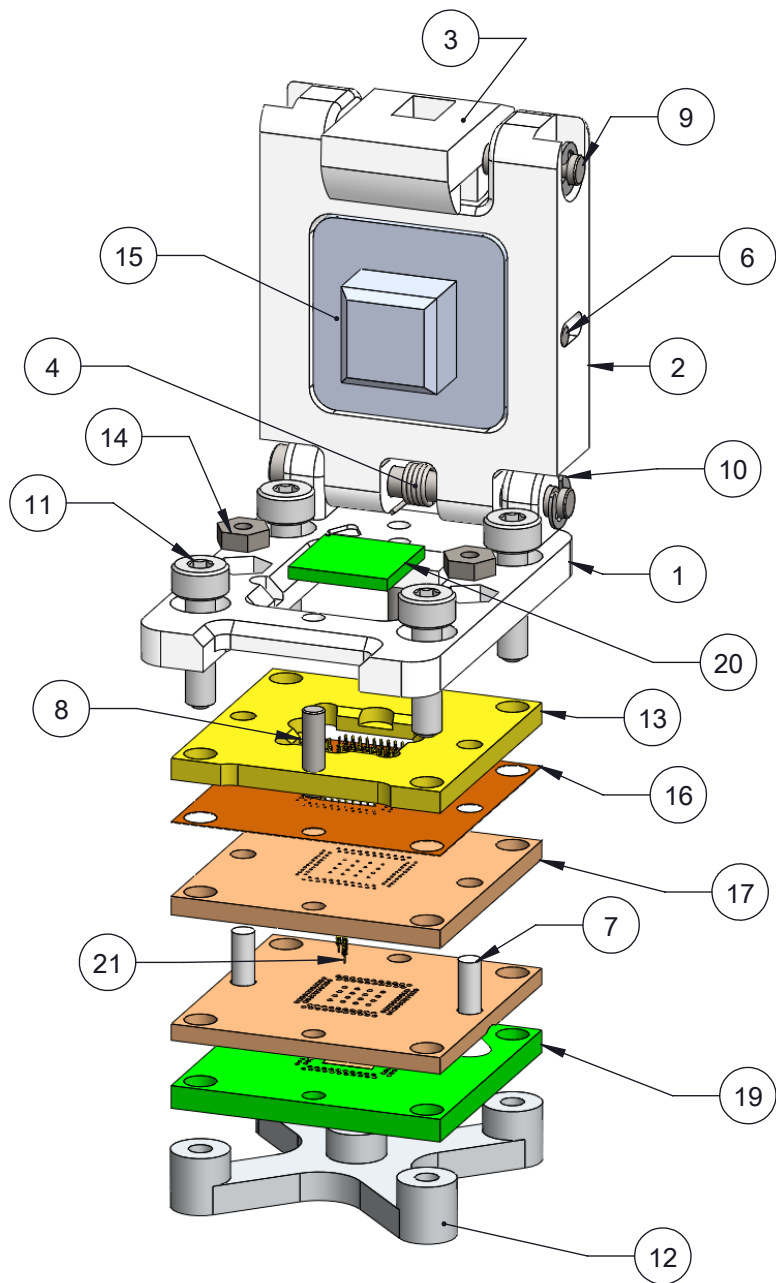
DETAIL T
SCALE 16 : 1

Description: Compatible QFN

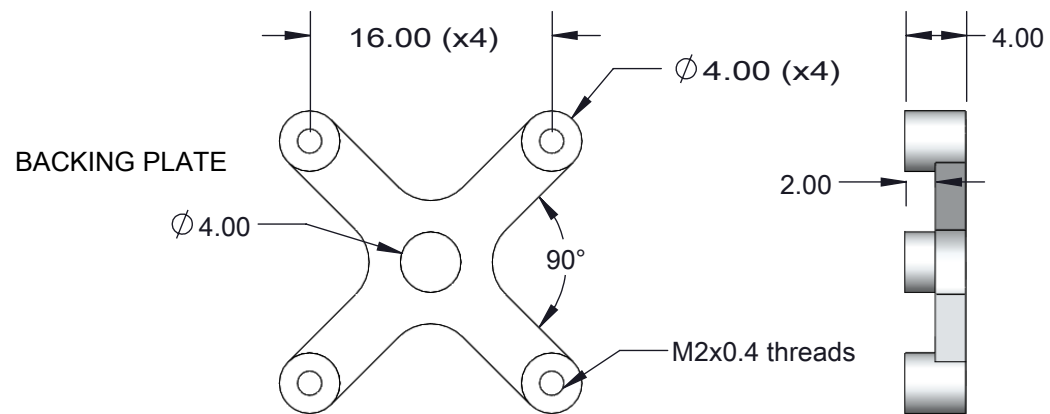
Primary dimension units are millimeters, Secondary dimension units are [inches], Weight is in grams.

Tolerances: Hole diameters $\pm 0.03\text{mm}$ [± 0.001 "], Pitches (from true position) $\pm 0.025\text{mm}$ [± 0.001 "], substrate thickness tolerance $\pm 10\%$, all other tolerances $\pm 0.13\text{mm}$ [± 0.005 "] unless stated otherwise. Materials and specifications are subject to change without notice.

 <p>CBT-AQFN-7000 Drawing Ironwood Electronics, Inc. Tele: (800) 404-0204 www.ironwoodelectronics.com</p>	<p>Material: Material <not specified> Finish: Weight: 12.17</p>	STATUS: Released	SHEET: 3 OF 4	REV. B
		ENG: E. Smolentseva	DRAWN BY: M. Raske	SCALE: 8:1
		FILE: CBT-AQFN-7000 Dwg	DATE: 11/20/2013	



ITEM NO.	DESCRIPTION	Material
1	Socket Base 12mm snap lid, posts removed	PPS
2	12mm Plastic Snap Clamshell Socket Lid	PPS/Ultem
3	Clamshell Latch Snap Lid Socket	PPS/Ultem
4	Torsion Spring, 180 0.109" OD, Ccw/Rh	Steel Music Wire
5	Wave Spring 0.375"OD 0.15" In 100lbs/in	Steel Music Wire
6	Dowel Pin, M1.5 X 20mm LG, 18-8 SS	AISI 347 Annealed Stainless Steel (SS)
7	#0-80 x .25 LG, Flat Head Machine Screw	Stainless Steel (18-8)
8	Dowel Pin, M1.5 X 5mm LG, Hardened Steel	AISI 347 Annealed Stainless Steel (SS)
9	2mm diameter Hinge Pin, 20 mm long	Alloy Steel
10	Snap ring for 2mm Hinge pin 0.15" OD	
11	Socket Head Cap Screw M2 8mm long	Stainless Steel (316)
12	Backing Plate 5 post	7075-T6 Alumium Alloy
13	IC guide 7x7mm	Torlon 4203
14	Nut, #0-80 x 3/64", SS	1023 Carbon Steel Sheet (SS)
15	Compression Plate 7x7mm	7075-T6 Aluminum Alloy
16	Pin Orientation Guide 0.5mm pitch QFN84	Kapton
17	Top Pogo Guide 0.5mm pitch QFN84	Semitron MDS 100
18	Bottom Pogo Guide 0.5mm pitch QFN84	Semitron MDS 100
19	Customer's target PCB	Material <not specified>
20	customer's QFN84 device	FR4
21	Stamped Pin, 0.4mm SBT-LGA/QFN	N/A



Description: Socket Specification

Primary dimension units are millimeters, Secondary dimension units are [inches], Weight is in grams.

Tolerances: Hole diameters $\pm 0.03\text{mm}$ [$\pm 0.001"$], Pitches (from true position) $\pm 0.025\text{mm}$ [$\pm 0.001"$], substrate thickness tolerance $\pm 10\%$, all other tolerances $\pm 0.13\text{mm}$ [$\pm 0.005"$] unless stated otherwise. Materials and specifications are subject to change without notice.

CBT-AQFN-7000 Drawing



Ironwood Electronics, Inc.
 Tele: (800) 404-0204
 www.ironwoodelectronics.com

Material: Material <not specified>
 Finish:
 Weight: 12.17

Rev	Date	Initials	Description
A	11/20/13	MR	Original
B	02/19/15	DH	Changed IC Guide material from Ultem to Torlon

STATUS: Released	SHEET: 4 OF 4	REV. B
ENG: E. Smolentseva	DRAWN BY: M. Raske	SCALE: 2:1
FILE: CBT-AQFN-7000 Dwg	DATE: 11/20/2013	