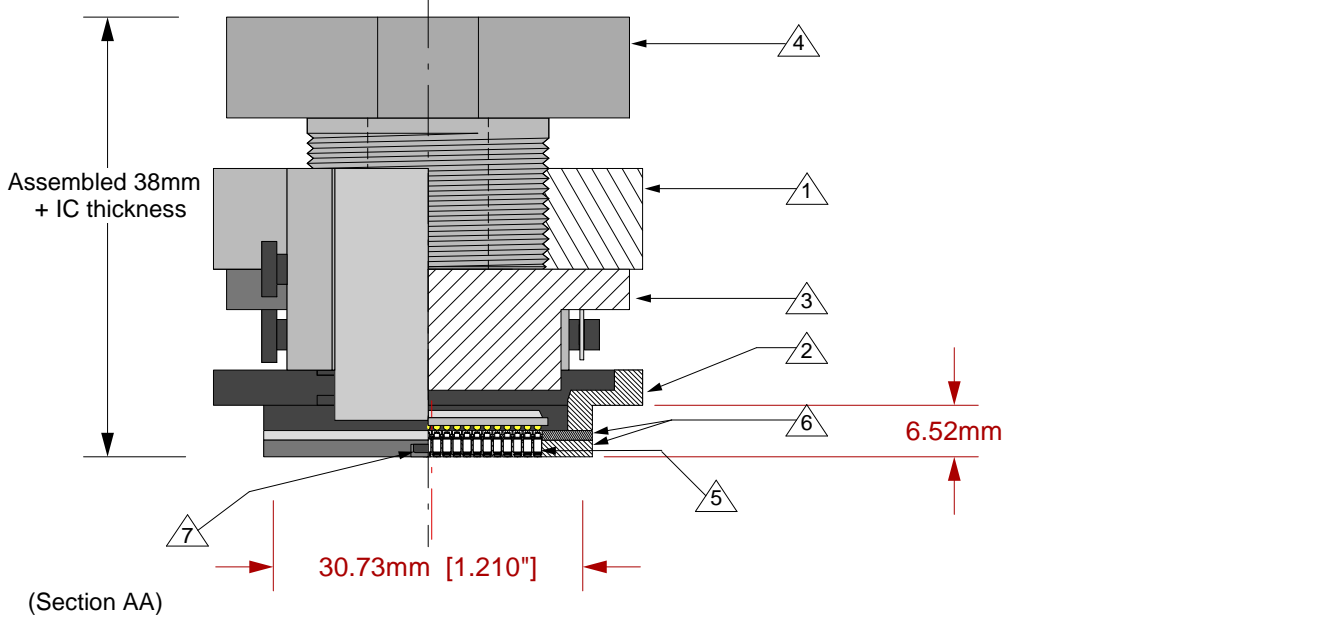


Top View
Side View




(Section AA)

Features

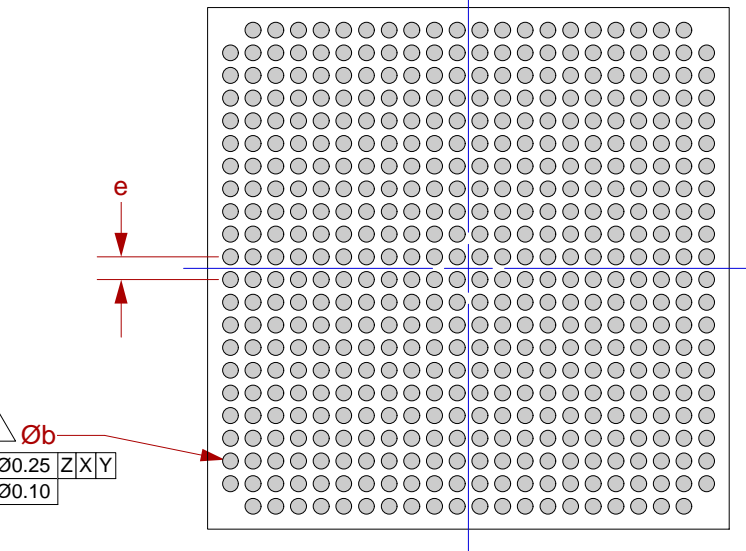
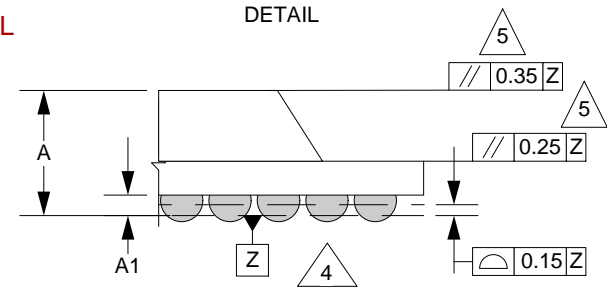
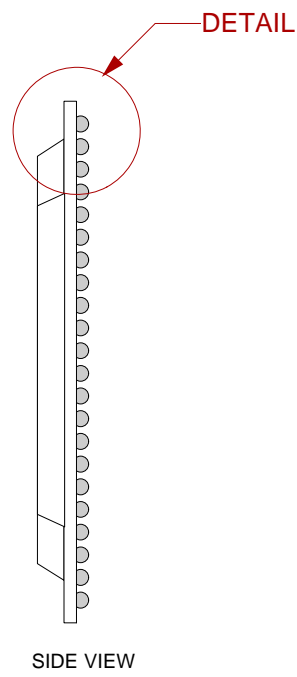
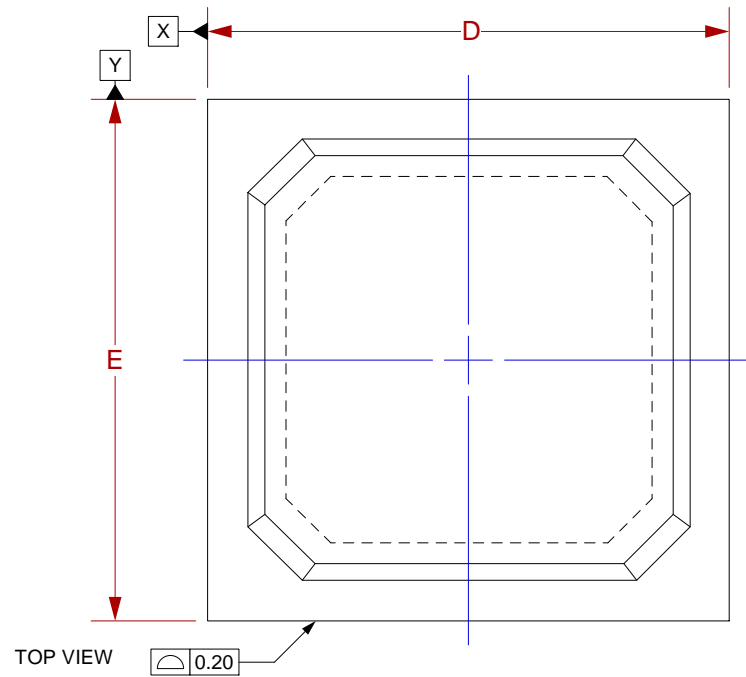
- Directly mates with a compatible SMT adapter.
- Minimum real estate required
- Compression plate distributes evenly
- Clamshell lid

Materials:

- △1 Clam Shell Lid: Nickel Plated Aluminum
Height = 20 mm.
- △2 Socket Base: Nickel Plated Aluminum
Height = 6 mm.
- △3 Compression Plate: Nickel Plated Aluminum.
Thickness = 12 mm.
- △4 Compression Screw: Nickel Plated Aluminum.
Height = 27 mm, Fluted Knob
- △5 Stamped Pin:
Stamped Contact: BeCu, Au Plate
Spring SS, Au Plate
- △6 Pogo Pin Guides: Peek
- △7 Pogo Pin Guide Screw: Pan head phillips, 18-8 SS,
0-80 thread, 3/16" long.
- △8 Latch: Nickel Plated Aluminum.

 <p>© 2010 IRONWOOD ELECTRONICS, INC. Tele: (800) 404-0204 www.ironwoodelectronics.com</p>	CBT-BGA-6006 Drawing		Status: Released	Scale: 3:1	Rev: A
	Drawing: S.Natarajan		Date: 12/18/2012		
	File: CBT-BGA-6006 Dwg		Modified:		

Recommended PCB Layout
Tolerances: ±0.025mm [±0.001"]
unless stated otherwise.



DIM	MIN	MAX
A	1.85	2.11
A1	0.3	0.5
b		0.60
D	23.00 BSC	
E	23.00 BSC	
e	1.0 BSC	

Array 22x22
480 pos.


1. Dimensions are in millimeters.
2. Interpret dimensions and tolerances per ASME Y14.5M-1994.

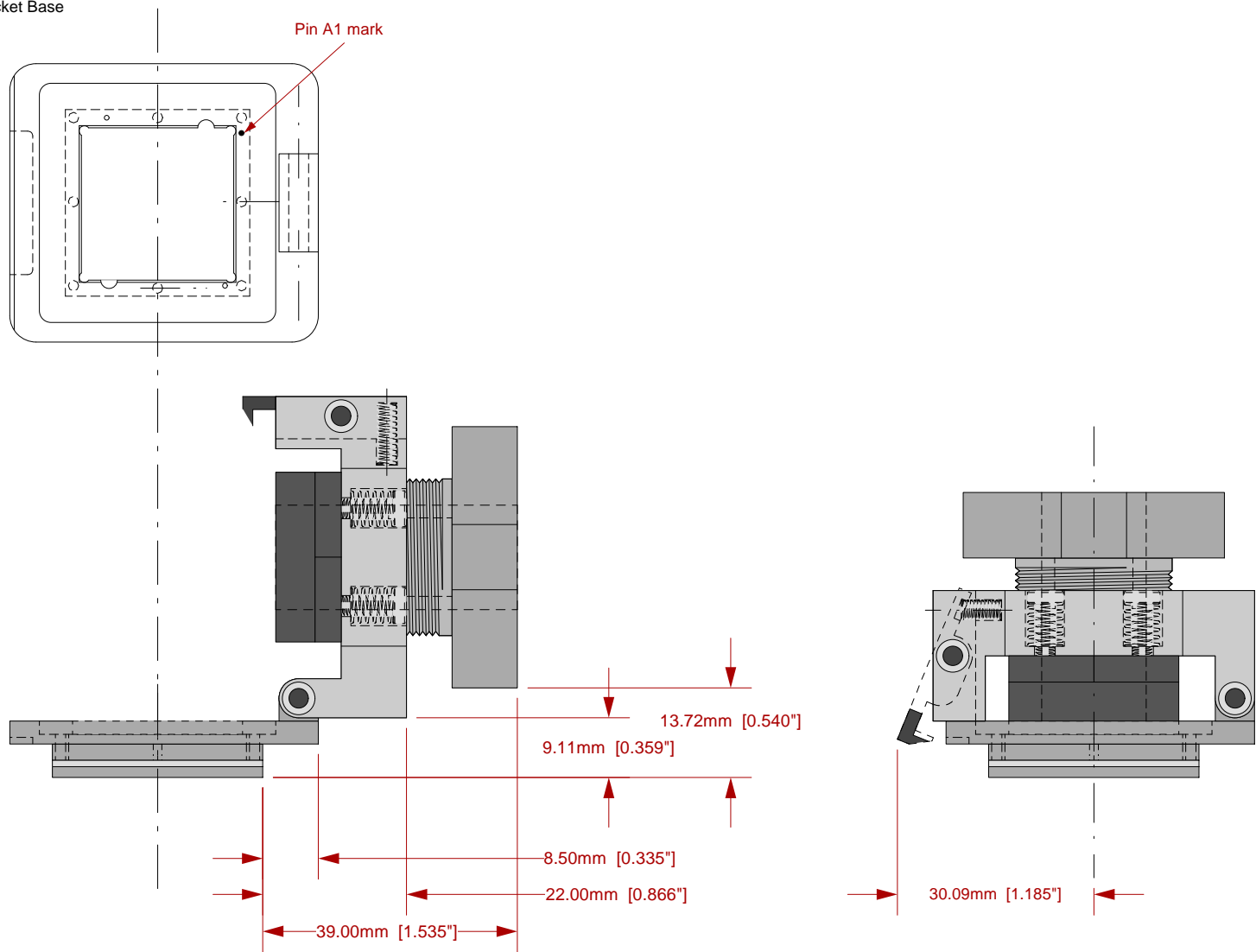
3 Dimension b is measured at the maximum solder ball diameter, parallel to datum plane Z.


4 Datum Z (seating plane) is defined by the spherical crowns of the solder balls.

5 Parallelism measurement shall exclude any effect of mark on top surface of package.

BOTTOM VIEW

 <p>© 2010 IRONWOOD ELECTRONICS, INC. Tele: (800) 404-0204 www.ironwoodelectronics.com</p>	<p>CBT-BGA-6006 Drawing</p>	<p>Status: Released</p>	<p>Scale: -</p>	<p>Rev: A</p>
	<p>Drawing: S.Natarajan</p>	<p>Date: 12/18/2012</p>		
	<p>File: CBT-BGA-6006 Dwg</p>	<p>Modified:</p>		



	CBT-BGA-6006 Drawing	Status: Released	Scale: 3:1	Rev: A
	© 2010 IRONWOOD ELECTRONICS, INC. Tele: (800) 404-0204 www.ironwoodelectronics.com	Drawing: S.Natarajan		Date: 12/18/2012
		File: CBT-BGA-6006 Dwg	Modified:	

All dimensions are in mm.
All tolerances are +/- 0.125mm.
(Unless stated otherwise)