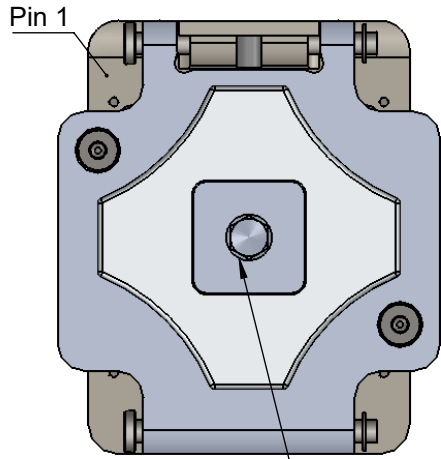


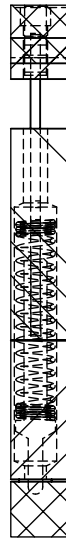
SBT-BGA DIRECT MOUNT, SOLDERLESS SOCKET FOR BURN-IN AND TEST APPLICATIONS

FEATURES:

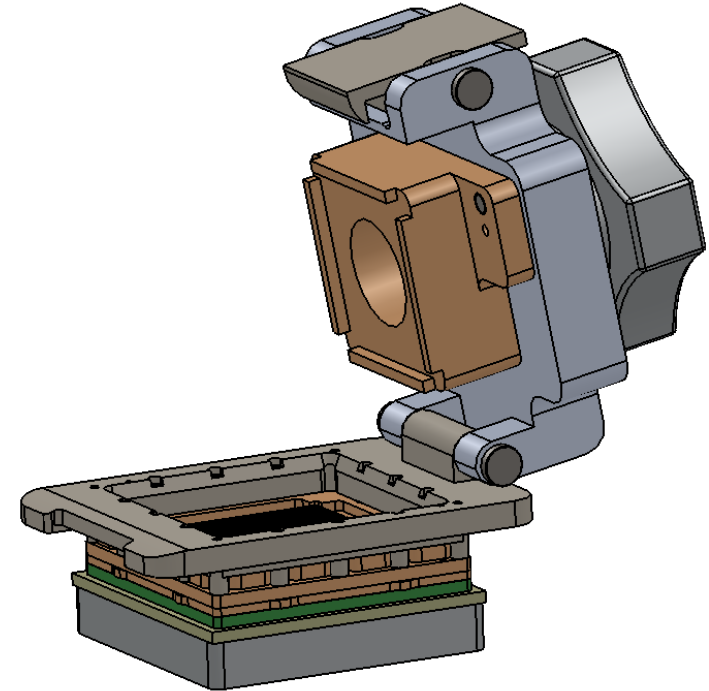
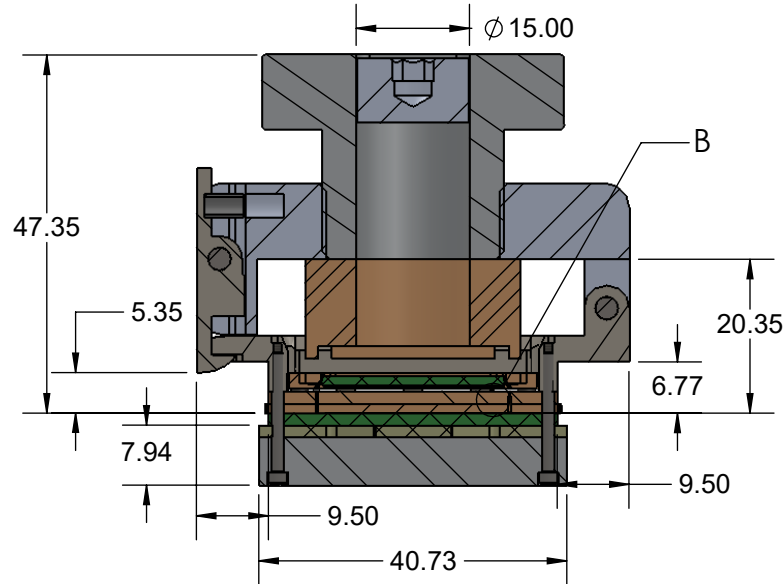
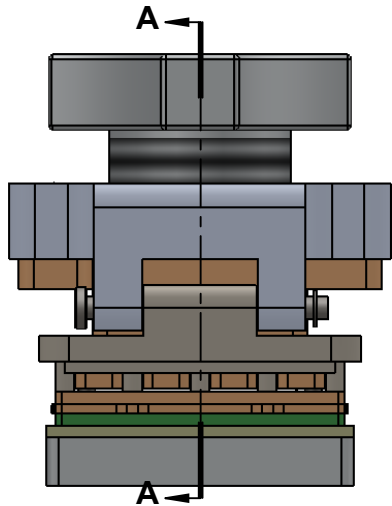
- Wide temperature range (-55C to +180C)
- High current capability (up to 1.8A)
- Excellent signal integrity at high frequencies
- Low and stable contact resistance for reliable production yield
- Highly compliant to accommodate wide co-planarity variations
- Automated probe manufacturing enables low cost and short lead time



Recommended torque
= 33.9 N-cm [3 lbf-in]



DETAIL B
SCALE 16 : 1



Description: CBT-QFP216 26mm T2T 0.4mm pitch

SECTION A-A

Primary dimension units are millimeters, Secondary dimension units are [inches], Weight is in grams.

Tolerances: Hole diameters $\pm 0.03\text{mm}$ [$\pm 0.001"$], Pitches (from true position) $\pm 0.025\text{mm}$ [$\pm 0.001"$], substrate thickness tolerance $\pm 10\%$, all other tolerances $\pm 0.13\text{mm}$ [$\pm 0.005"$] unless stated otherwise. Materials and specifications are subject to change without notice.

CBT-QFE-3006 Drawing



Ironwood Electronics, Inc.
Tele: (800) 404-0204
www.ironwoodelectronics.com

Material: N/A
Finish: N/A
Weight: 179.7g

STATUS: Released

ENG: S. Huang

FILE: CBT-QFE-3006 Dwg

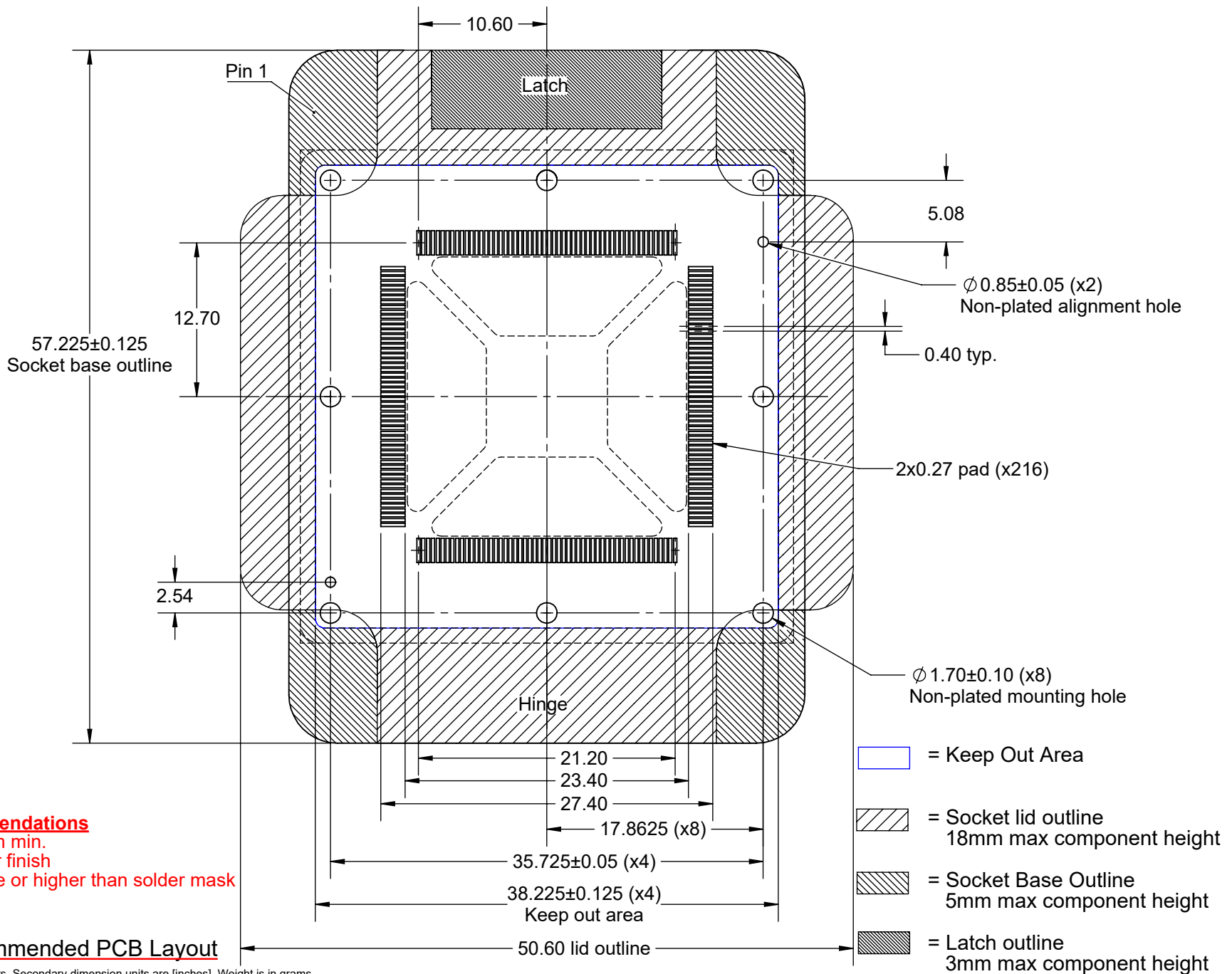
SHEET: 1 OF 4

DRAWN BY: M. Raske

DATE: 09/18/2015

REV. A

SCALE: 1:1




Target PCB Recommendations

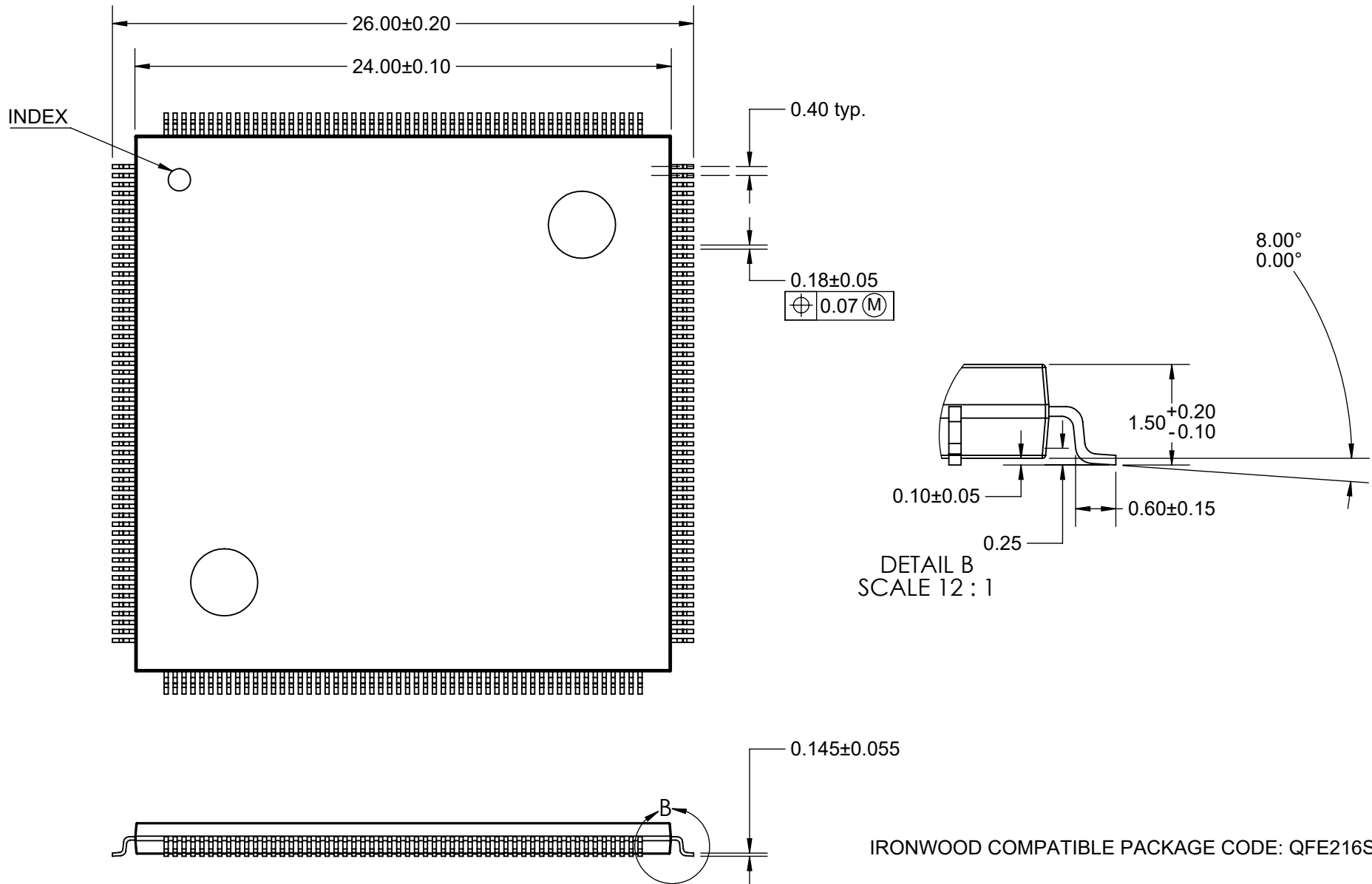
Total thickness: 1.6mm min.
Plating: Gold or Solder finish
PCB Pad height: Same or higher than solder mask

Description: Recommended PCB Layout

Primary dimension units are millimeters, Secondary dimension units are [inches], Weight is in grams.

Tolerances: Hole diameters $\pm 0.0254\text{mm}$ [$\pm 0.001"$]. Pitches (from true position) $\pm 0.0762\text{mm}$ [$\pm 0.003"$], substrate thickness tolerance $\pm 10\%$, all other tolerances $\pm 0.127\text{mm}$ [$\pm 0.005"$] unless stated otherwise. Materials and specifications are subject to change without notice.

 CBT-QFE-3006 Drawing Ironwood Electronics, Inc. Tele: (800) 404-0204 www.ironwoodelectronics.com	Material: N/A Finish: N/A Weight: 179.76	STATUS: Released ENG: S. Huang FILE: CBT-QFE-3006 Dwg	SHEET: 2 OF 4 DRAWN BY: M. Raske DATE: 09/18/2015	REV. A SCALE: 2.25:1




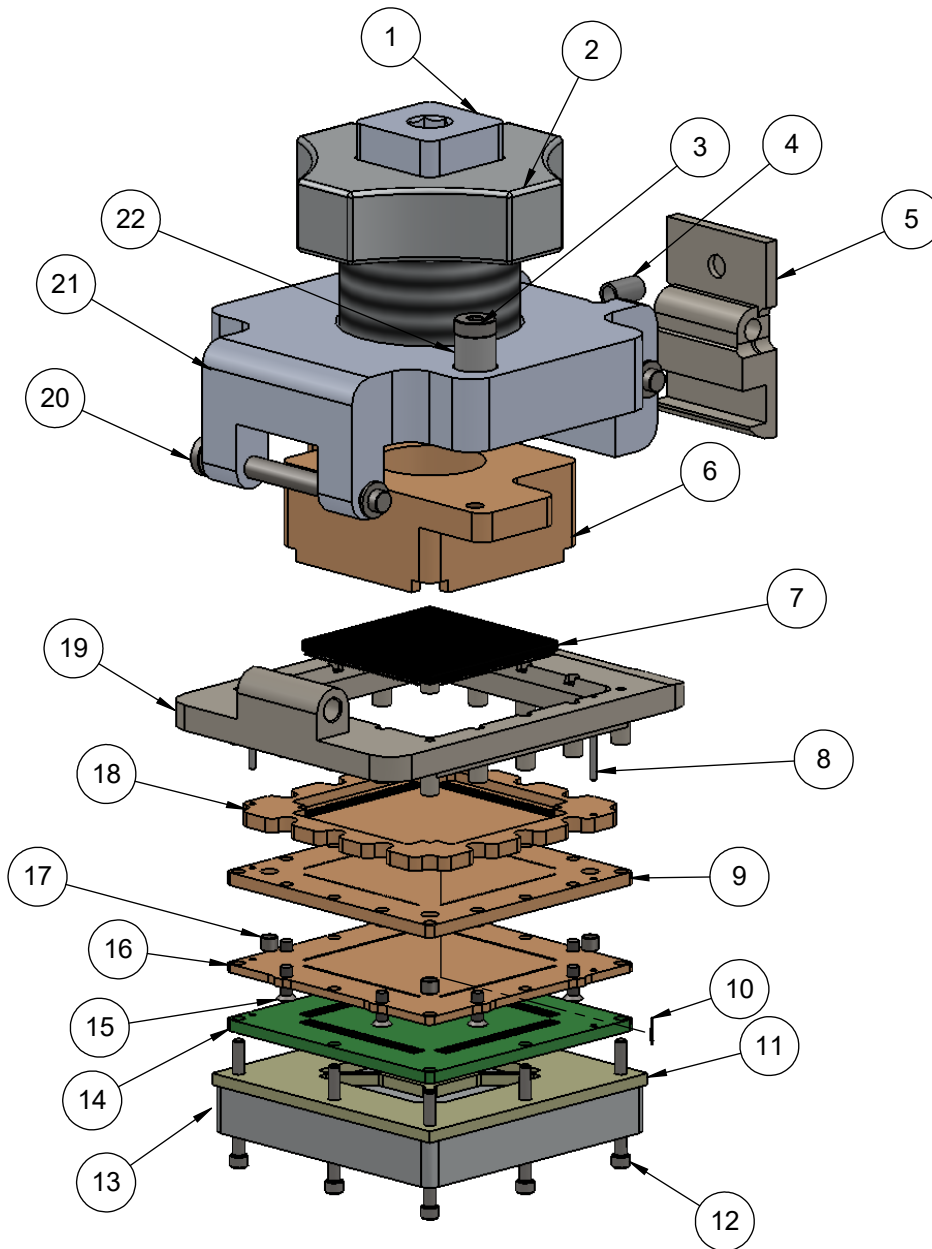
1. Dimensions are in millimeters.
2. Interpret dimensions and tolerances per ASME Y14.5M-1994.

Description: Compatible IC

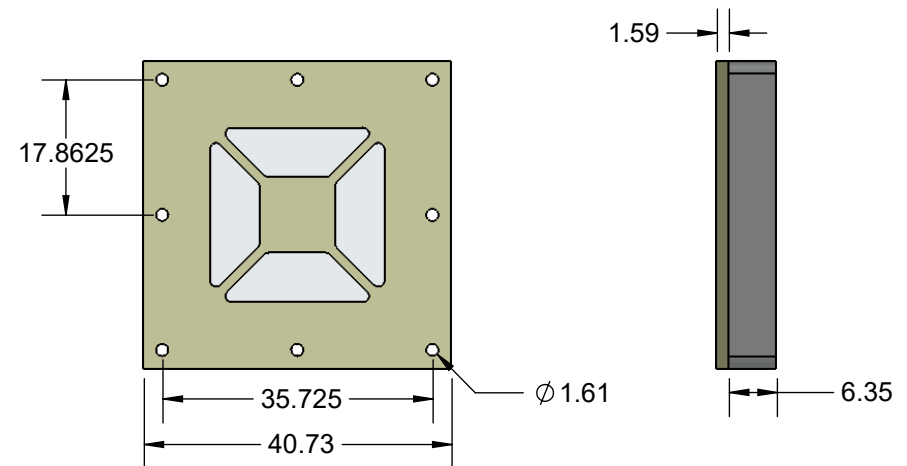
Primary dimension units are millimeters, Secondary dimension units are [inches], Weight is in grams.

Tolerances: Hole diameters $\pm 0.03\text{mm}$ [± 0.001 "], Pitches (from true position) $\pm 0.025\text{mm}$ [± 0.001 "], substrate thickness tolerance $\pm 10\%$, all other tolerances $\pm 0.13\text{mm}$ [± 0.005 "] unless stated otherwise. Materials and specifications are subject to change without notice.

	CBT-QFE-3006 Drawing Ironwood Electronics, Inc. Tele: (800) 404-0204 www.ironwoodelectronics.com	Material: N/A Finish: N/A Weight: 179.76	STATUS: Released ENG: S. Huang FILE: CBT-QFE-3006 Dwg	SHEET: 3 OF 4 DRAWN BY: M. Raske DATE: 09/18/2015	REV. A SCALE: 4:1



ITEM NO.	DESCRIPTION	Material
1	Compression Screw block	Aluminum
2	Compression Screw	Aluminum
3	Lid Screw	Steel
4	Latch spring	Steel
5	Latch	Aluminum
6	Compression Plate	High Temp Plastic
7	Compatible IC	N/A
8	Alignment Pin	Steel
9	Middle Guide	High Temp Plastic
10	Spring Pin	N/A
11	Insulating Plate	High Temp Plastic
12	Mounting Screw	Steel
13	Backing Plate	Aluminum
14	Target PCB	N/A
15	Pin Guide Screw	High Temp Plastic
16	Bottom Guide	Semitron MDS 100
17	Floating Guide Spring	Steel
18	Floating Guide	Semitron MDS 100
19	Socket Base	Aluminum
20	Hinge Pin and Snap Ring	Steel
21	Lid	Aluminum
22	Lid spring	Steel




Backing Plate Detail

Description: Socket Assy, Insulation Plate

Primary dimension units are millimeters, Secondary dimension units are [inches], Weight is in grams.

Tolerances: Hole diameters $\pm 0.03\text{mm}$ [$\pm 0.001"$], Pitches (from true position) $\pm 0.025\text{mm}$ [$\pm 0.001"$], substrate thickness tolerance $\pm 10\%$, all other tolerances $\pm 0.13\text{mm}$ [$\pm 0.005"$] unless stated otherwise. Materials and specifications are subject to change without notice.

 CBT-QFE-3006 Drawing Ironwood Electronics, Inc. Tele: (800) 404-0204 www.ironwoodelectronics.com	Material: N/A Finish: N/A Weight: 179.76	STATUS: Released ENG: S. Huang FILE: CBT-QFE-3006 Dwg	SHEET: 4 OF 4 DRAWN BY: M. Raske DATE: 09/18/2015	REV. A SCALE: 1:1