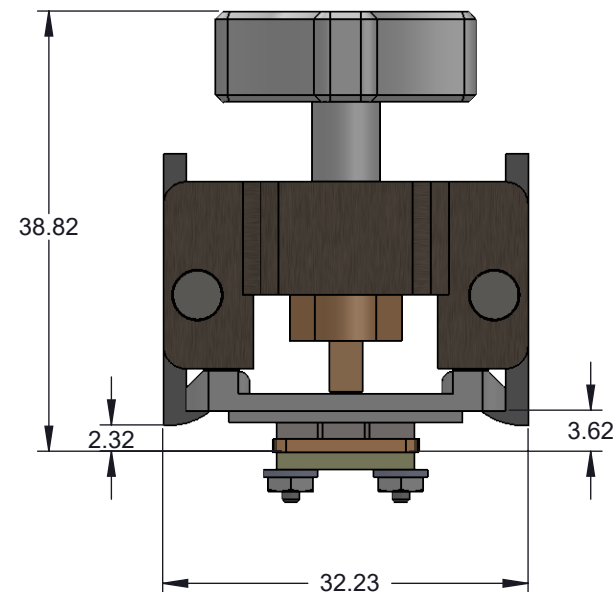
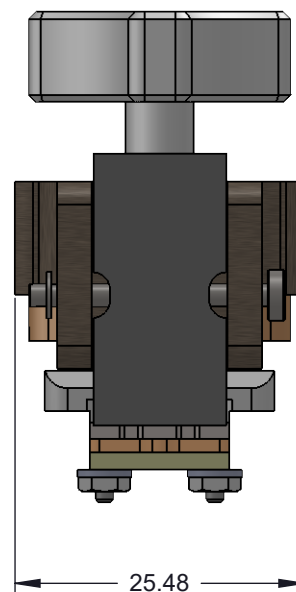
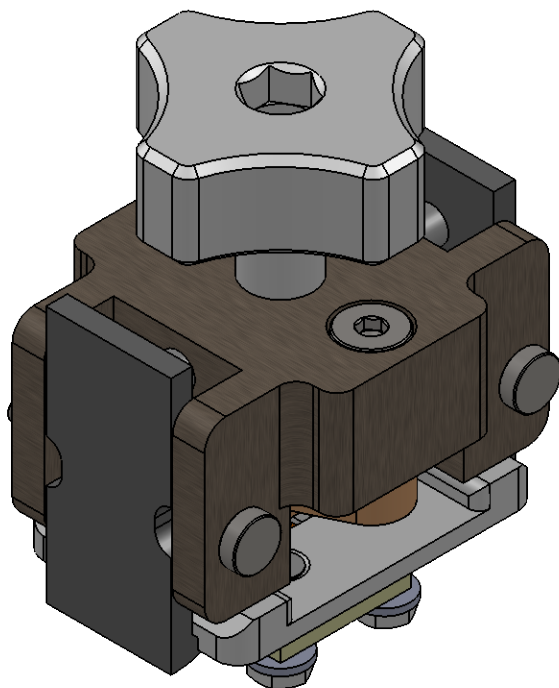


# CBT-QFN DIRECT MOUNT, SOLDERLESS SOCKET FOR BURN-IN AND TEST APPLICATIONS

## Features

- Wide temperature range (-55C to +180C).
- High current capability (up to 4A).
- Excellent signal integrity at high frequencies.
- Low and stable contact resistance for reliable production yield.
- Highly compliant to accommodate wide co-planarity variations.



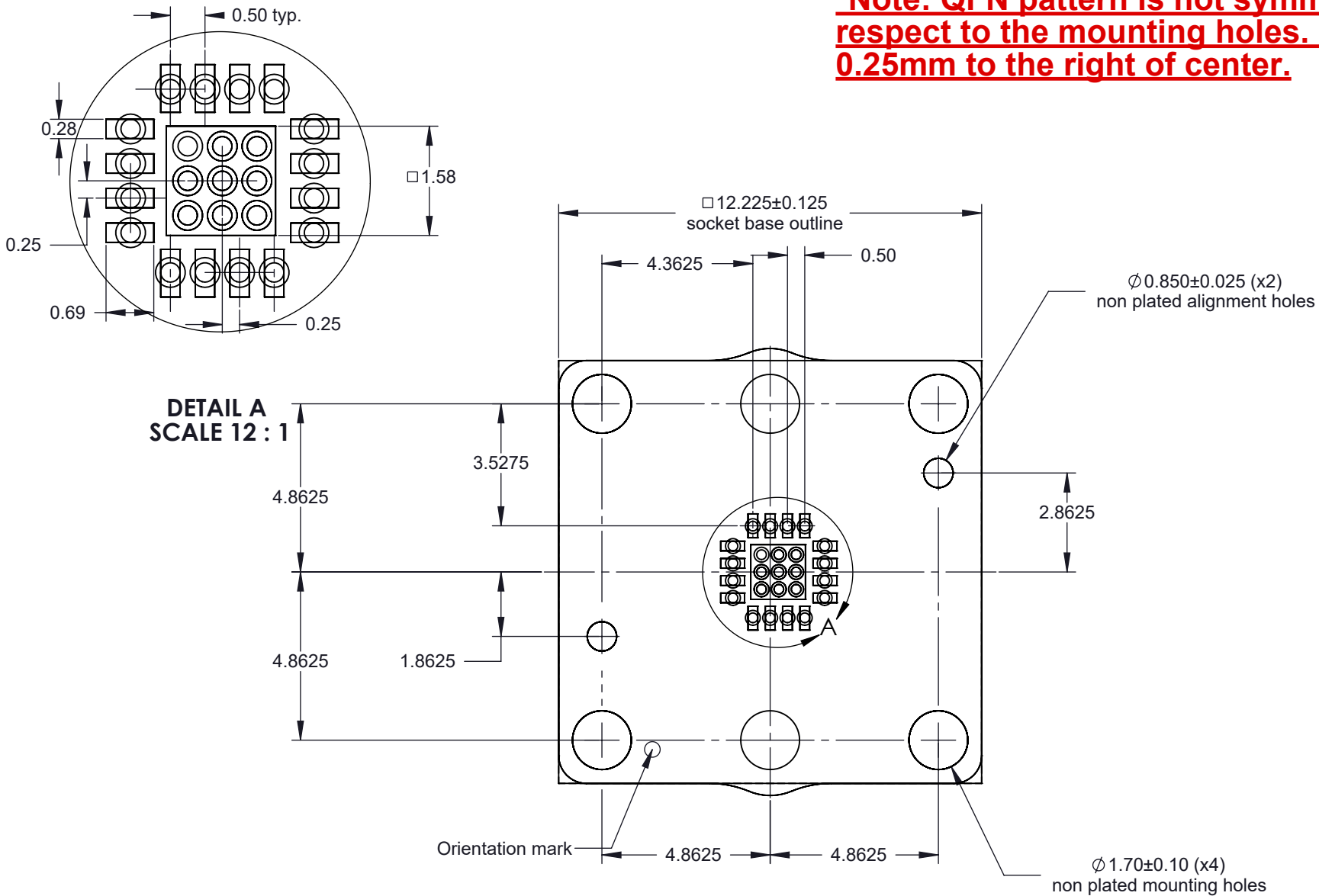
**Description:** CBT socket for 3mm x 3mm, 4x4 array, 0.5mm pitch QFN chip

Primary dimension units are millimeters, Secondary dimension units are [inches], Weight is in grams.

**Tolerances:** Hole diameters  $\pm 0.03\text{mm}$  [ $\pm 0.001"$ ], Pitches (from true position)  $\pm 0.025\text{mm}$  [ $\pm 0.001"$ ], substrate thickness tolerance  $\pm 10\%$ , all other tolerances  $\pm 0.13\text{mm}$  [ $\pm 0.005"$ ] unless stated otherwise. Materials and specifications are subject to change without notice.

<p><b>CBT-QFN-7006 Drawing</b></p> <p>Ironwood Electronics, Inc.          Tele: (800) 404-0204          www.ironwoodelectronics.com</p>	<p>Material: N/A          Finish: N/A          Weight: 35.52</p>	<p>STATUS: Released          ENG:          FILE: CBT-QFN-7006 Dwg</p>	<p>SHEET: 1 OF 5          DRAWN BY: D. Hauer          DATE: 7/9/2010</p>	<p>REV. C          SCALE: 3:2</p>
---	--	---	--	---------------------------------------

**\*Note: QFN pattern is not symmetrical with respect to the mounting holes. It is offset 0.25mm to the right of center.**



Ø 0.850±0.025 (x2)  
non plated alignment holes

Ø 1.70±0.10 (x4)  
non plated mounting holes


Target PCB Recommendations

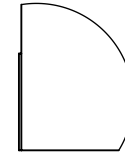
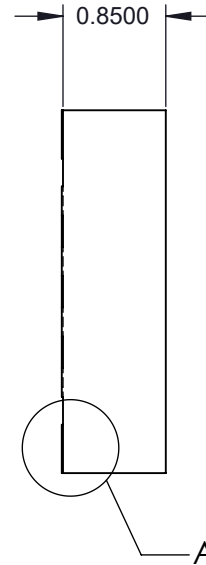
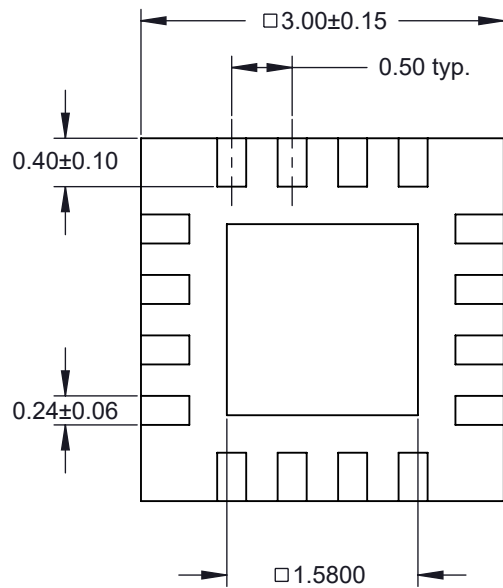
Total thickness: 1.6mm min.  
Plating: Gold or Solder finish  
PCB Pad height: Same or higher than solder mask

**Description: Recommended PCB layout**

Primary dimension units are millimeters, Secondary dimension units are [inches], Weight is in grams.

Tolerances: Hole diameters ±0.03mm [±0.001"], Pitches (from true position) ±0.025mm [±0.001"], substrate thickness tolerance ±10%, all other tolerances ±0.13mm [±0.005"] unless stated otherwise. Materials and specifications are subject to change without notice.

 <p><b>CBT-QFN-7006 Drawing</b> Ironwood Electronics, Inc. Tele: (800) 404-0204 www.ironwoodelectronics.com</p>	<p>Material: N/A Finish: N/A Weight: 35.52</p>	STATUS: Released	SHEET: 2 OF 5	REV. C
		ENG:	DRAWN BY: D. Hauer	SCALE: 1:1
		FILE: CBT-QFN-7006 Dwg	DATE: 7/9/2010	




**DETAIL A**  
**SCALE 32 : 1**

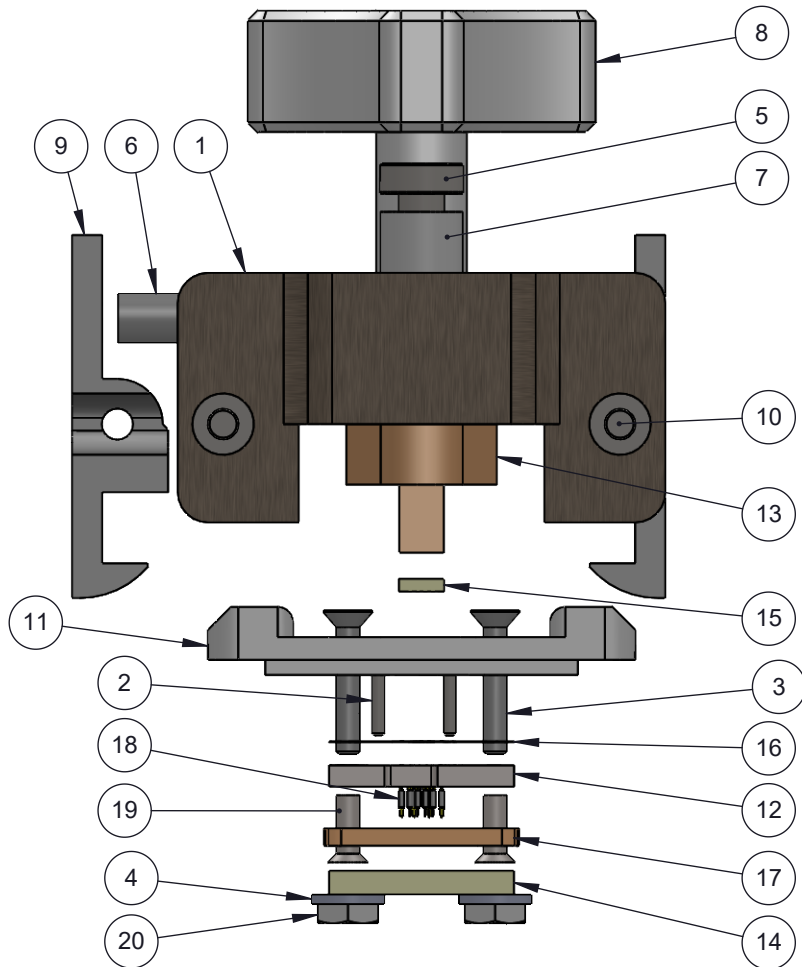
1. Dimensions are in millimeters.

**Description: QFN**

Primary dimension units are millimeters, Secondary dimension units are [inches], Weight is in grams.

Tolerances: Hole diameters  $\pm 0.03$ mm [ $\pm 0.001$ "], Pitches (from true position)  $\pm 0.025$ mm [ $\pm 0.001$ "], substrate thickness tolerance  $\pm 10\%$ , all other tolerances  $\pm 0.13$ mm [ $\pm 0.005$ "] unless stated otherwise. Materials and specifications are subject to change without notice.

 <b>CBT-QFN-7006 Drawing</b> Ironwood Electronics, Inc. Tele: (800) 404-0204 www.ironwoodelectronics.com	Material: N/A Finish: N/A Weight: 35.52	STATUS: Released	SHEET: 3 OF 5	REV. C
		ENG:	DRAWN BY: D. Hauer	SCALE: 16:1
		FILE: CBT-QFN-7006 Dwg	DATE: 7/9/2010	



ITEM NO.	DESCRIPTION	Material
1	Nickel plated version of M1976 Lid double latch for 10mm IC	7075-T6 Aluminum Alloy
2	Dowel pin, 1/32" X 1/4", SS	Stainless Steel (18-8)
3	Screw, #0-80 X .375", Flat, SS	
4	Washer, #0 x .025", Nylon	Nylon 6/6
5	Screw, M3 x 12mm, Low Head Cap, SS	18-8 Stainless Steel
6	Precision Compression Spring, Zinc-Plated Music Wire, 1/2" Length, .12" OD, .016" Wire	Zinc Plated Music Wire
7	Spring Clamshell lid assembly	Steel Music Wire
8	M6x1 fluted knob compression screw, Ni plated	7075-T6 Aluminum Alloy
9	Latch 6- 10mm Ni plated	7075-T6 Aluminum Alloy
10	Hinge Pin and Snap Ring, 2mm OD, 19mm long, SS	Stainless Steel (ferritic)
11	CBT double latch Socket Base for 3mm QFN	PEEK Ceramic filled
12	CBT Top Guide for 3x3mm QFN 0.5mm pitch	PEEK Ceramic filled
13	CBT Compression Plate for 3mm QFN16	Ultem 1000
14	Customer's target PCB	FR4
15	Customer's IC	N/a
16	Pin Orientation Guide for 3x3mm QFN16 0.5mm pitch	Kapton Polyimide
17	CBT Bottom Guide for 3x3mm QFN16 0.5mm pitch	Semitron MDS 100
18	SBT-LGA/QFN Pogo Pin, 0.5mm-0.8mm	Contact Mtrl: BeCu, Au Plated over Ni
19	#0-80, 90 deg., head pin guide screw, Peek material	PEEK unfilled
20	Nut, #0-80, SS	Stainless Steel (18-8)




**P-P150A**  
**Scale 16:1**

### Description: Skt, Insulation Plate, Pin Det

Primary dimension units are millimeters, Secondary dimension units are [inches], Weight is in grams.

Tolerances: Hole diameters  $\pm 0.03\text{mm}$  [ $\pm 0.001"$ ], Pitches (from true position)  $\pm 0.025\text{mm}$  [ $\pm 0.001"$ ], substrate thickness tolerance  $\pm 10\%$ , all other tolerances  $\pm 0.13\text{mm}$  [ $\pm 0.005"$ ] unless stated otherwise. Materials and specifications are subject to change without notice.


 <b>CBT-QFN-7006 Drawing</b> Ironwood Electronics, Inc. Tele: (800) 404-0204 www.ironwoodelectronics.com	Material: N/A Finish: N/A Weight: 35.52	STATUS: Released	SHEET: 4 OF 5	REV. C
		ENG:	DRAWN BY: D. Hauer	SCALE: 1:1
		FILE: CBT-QFN-7006 Dwg	DATE: 7/9/2010	

Rev	Date	Initials	Description
A	01/25/11	MR	Original
B	10/10/2013	BMF	Removed Obsolete Components
C	03/22/18	ELS	Changed stainless steel screw to plastic. Updated PCB layout page.

## Description: Revision History

Primary dimension units are millimeters, Secondary dimension units are [inches], Weight is in grams.

Tolerances: Hole diameters  $\pm 0.03\text{mm}$  [ $\pm 0.001"$ ], Pitches (from true position)  $\pm 0.025\text{mm}$  [ $\pm 0.001"$ ], substrate thickness tolerance  $\pm 10\%$ , all other tolerances  $\pm 0.13\text{mm}$  [ $\pm 0.005"$ ] unless stated otherwise. Materials and specifications are subject to change without notice.

 <b>CBT-QFN-7006 Drawing</b> Ironwood Electronics, Inc. Tele: (800) 404-0204 www.ironwoodelectronics.com	<b>Material:</b> <b>Finish:</b> <b>Weight:</b>	STATUS: Released	SHEET: 5 OF 5	REV. C
		ENG:	DRAWN BY: D. Hauer	SCALE: 3:2
		FILE: CBT-QFN-7006 Dwg	DATE: 7/9/2010	