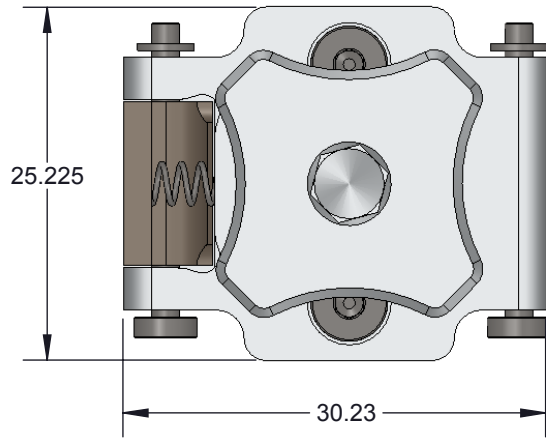


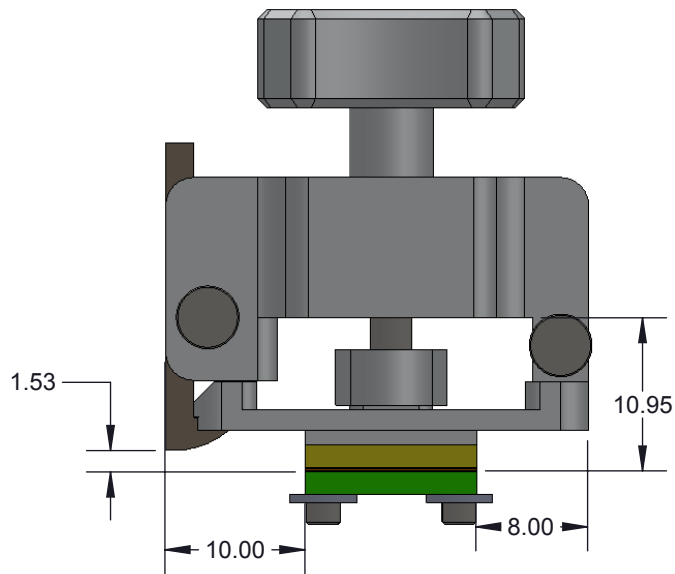
GHz BGA Socket - Direct mount, solderless

Features

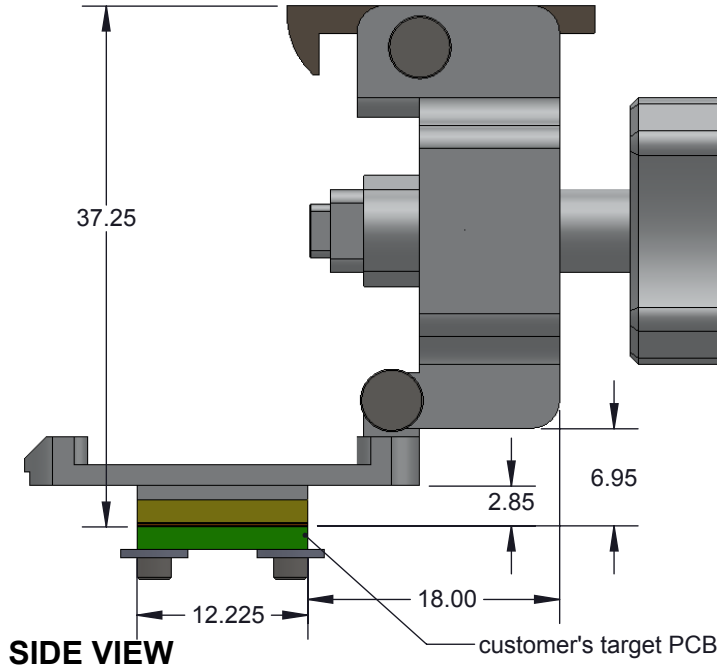
- Directly mounts to target PCB (needs tooling holes) with hardware
- High speed, reliable Elastomer connection
- Minimum real estate required
- Compression plate distributes forces evenly
- Hinged clamshell socket lid



TOP VIEW

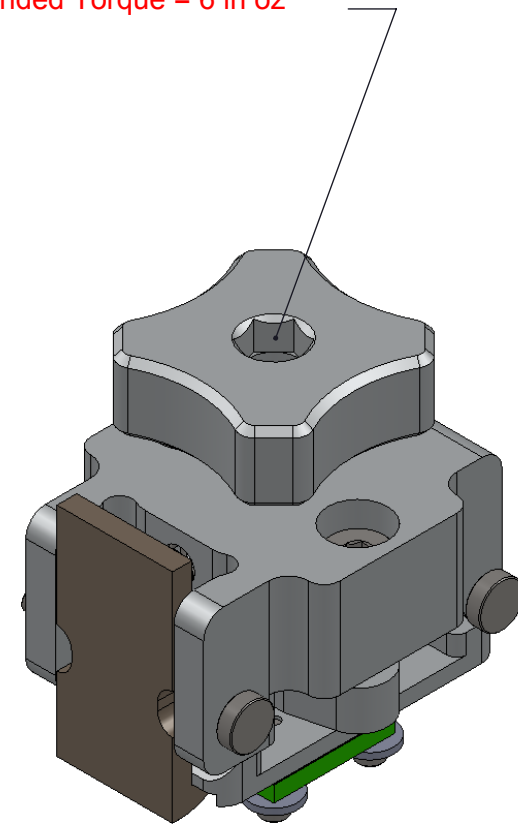


SIDE VIEW



SIDE VIEW


Recommended Torque = 6 in oz

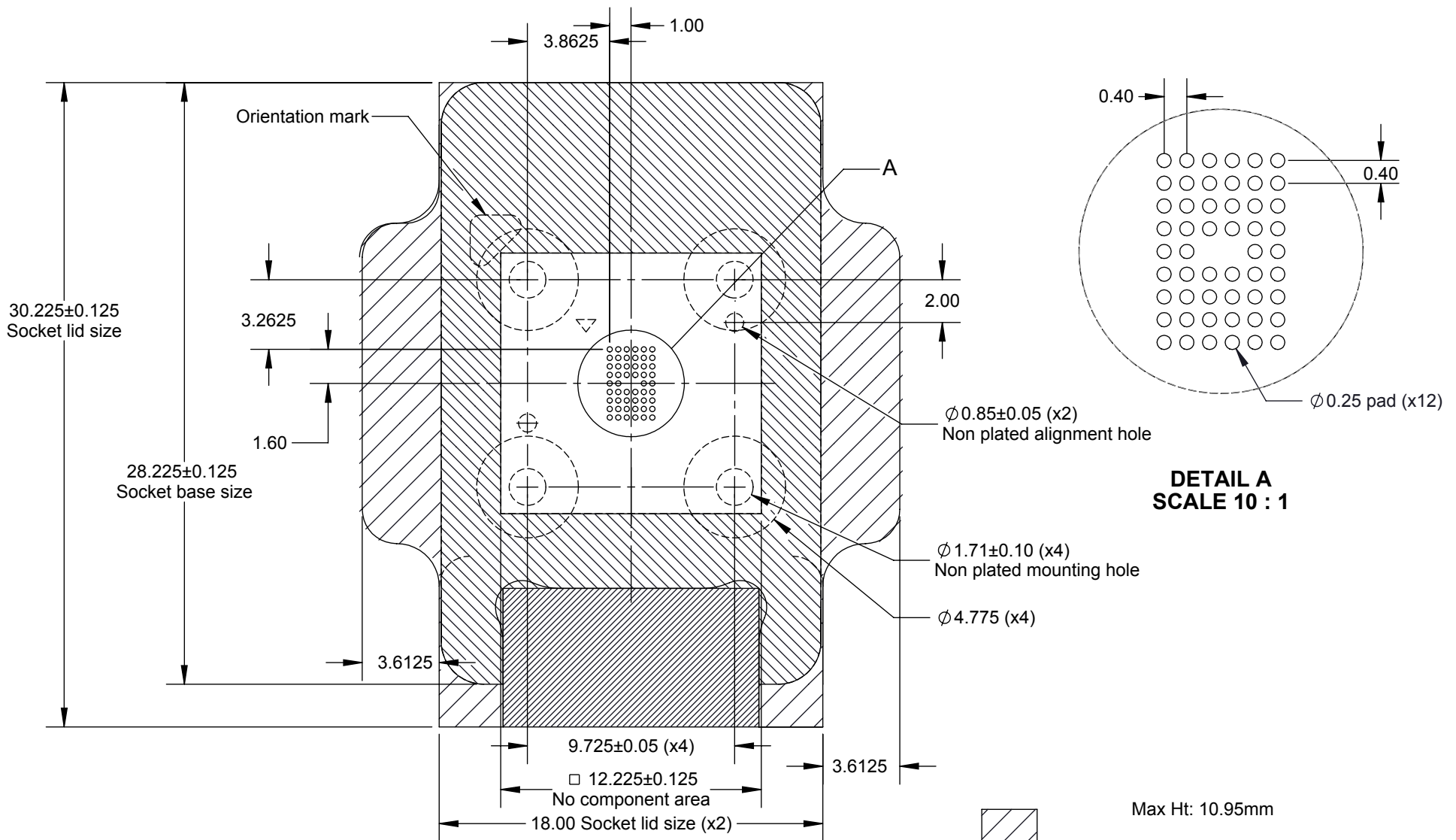


Description: Clam shell socket for 2.64x3.94mm 6x9 array 0.4mm pitch BGA52

Primary dimension units are millimeters, Secondary dimension units are [inches], Weight is in grams.

Tolerances: Hole diameters $\pm 0.03\text{mm}$ [± 0.001 "], Pitches (from true position) $\pm 0.025\text{mm}$ [± 0.001 "], substrate thickness tolerance $\pm 10\%$, all other tolerances $\pm 0.13\text{mm}$ [± 0.005 "] unless stated otherwise. Materials and specifications are subject to change without notice.

| | | | | |
|--|---|--|---|-------------------------|
|  GT-BGA-2024 Drawing Ironwood Electronics, Inc. Tele: (800) 404-0204 www.ironwoodelectronics.com | Material: N/A Finish: N/A Weight: 33.15 | STATUS: Released ENG: S. Huang FILE: GT-BGA-2024 Dwg | SHEET: 1 OF 4 DRAWN BY: M. Raske DATE: 05/08/2015 | REV. A SCALE: 1.85:1 |
| | | | | |




Target PCB Recommendations

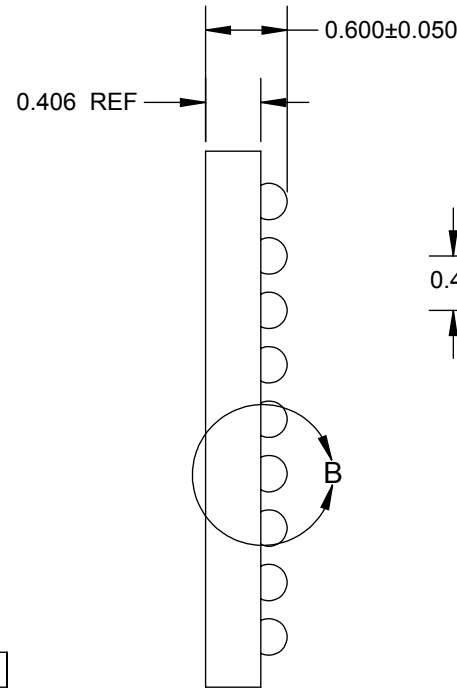
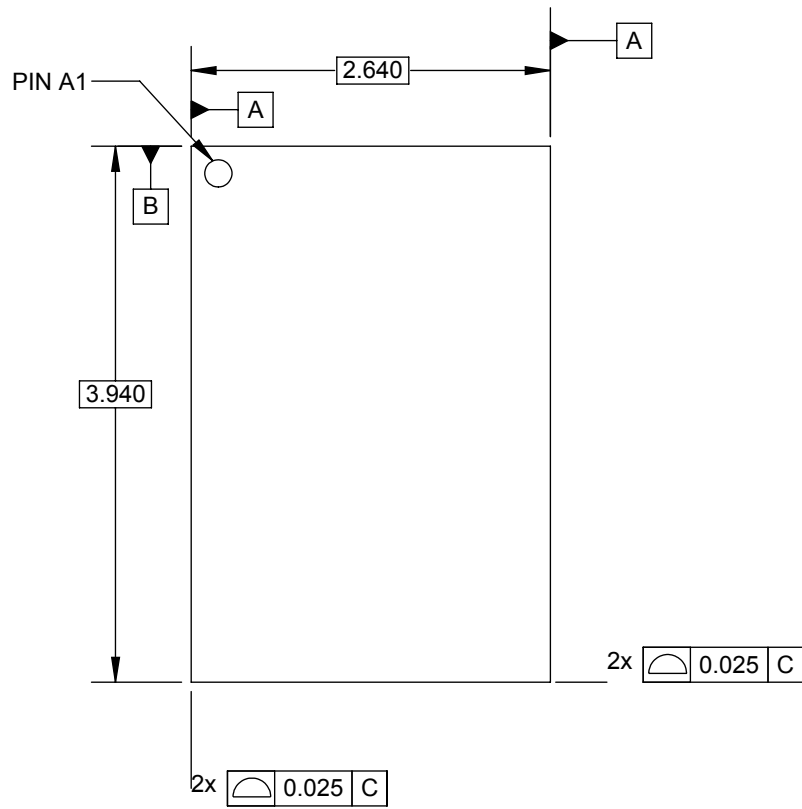
Total thickness: 1.6mm min.
 Plating: Gold or Solder finish

Description: Recommended PCB Layout

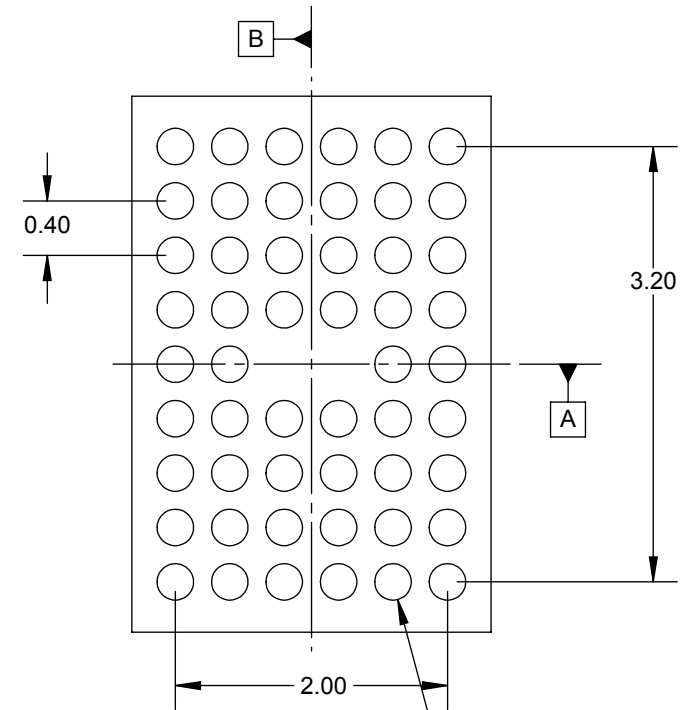
Primary dimension units are millimeters, Secondary dimension units are [inches], Weight is in grams.

Tolerances: Hole diameters $\pm 0.03\text{mm}$ [$\pm 0.001"$], Pitches (from true position) $\pm 0.025\text{mm}$ [$\pm 0.001"$], substrate thickness tolerance $\pm 10\%$, all other tolerances $\pm 0.13\text{mm}$ [$\pm 0.005"$] unless stated otherwise. Materials and specifications are subject to change without notice.

| | | | | |
|--|---|--|---|-------------------------|
|  GT-BGA-2024 Drawing Ironwood Electronics, Inc. Tele: (800) 404-0204 www.ironwoodelectronics.com | Material: N/A Finish: N/A Weight: 33.15 | STATUS: Released ENG: S. Huang FILE: GT-BGA-2024 Dwg | SHEET: 2 OF 4 DRAWN BY: M. Raske DATE: 05/08/2015 | REV. A SCALE: 3.75:1 |
| | | | | |

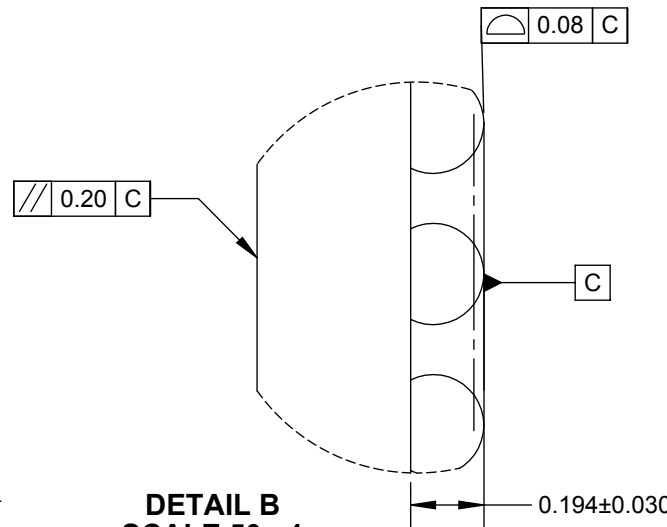


SIDE VIEW



BOTTOM VIEW

| | | | | |
|--------|------------------------|---|---|---|
| | $\phi 0.268 \pm 0.025$ | | | |
| ϕ | $\phi 0.15 (M)$ | C | A | B |
| | $\phi 0.05 (M)$ | C | | |



DETAIL B
SCALE 50 : 1


TOP VIEW

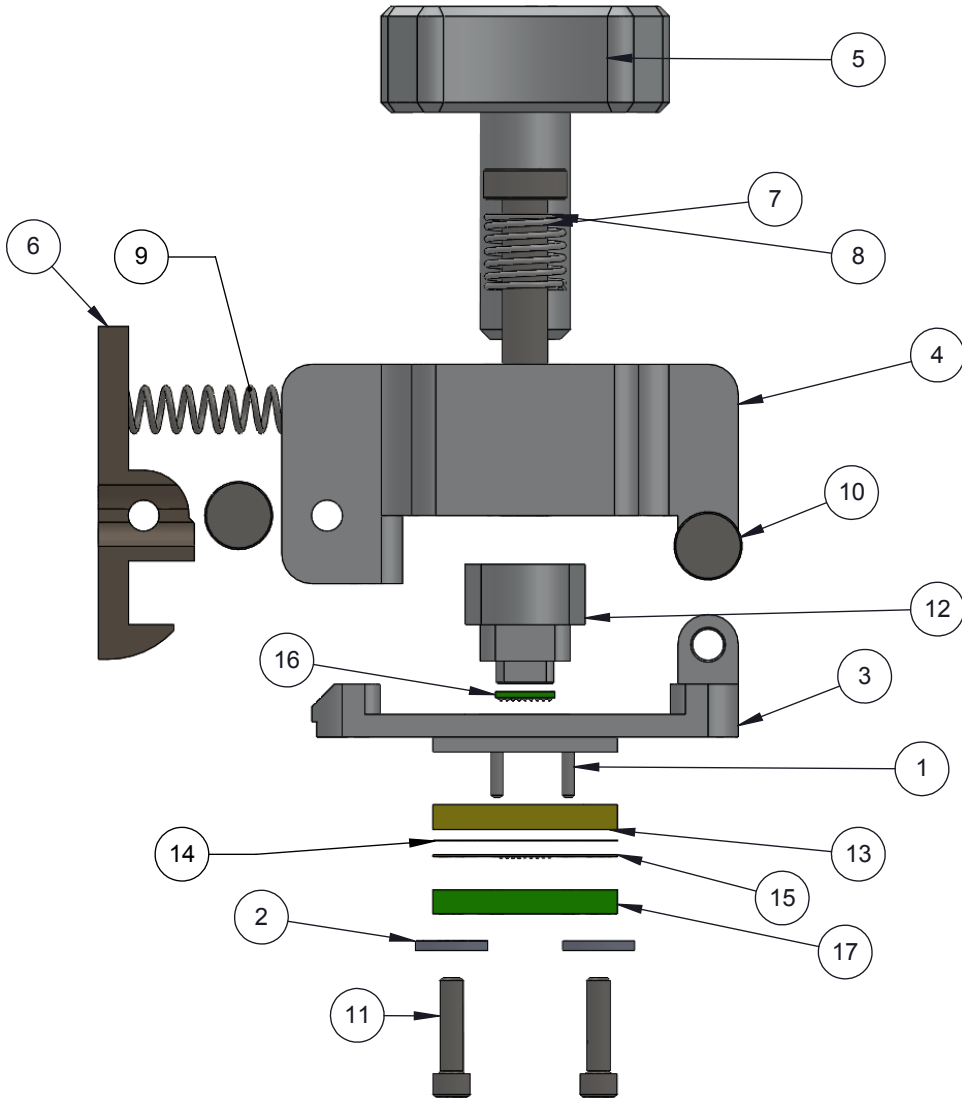
Description: Compatible device

Primary dimension units are millimeters, Secondary dimension units are [inches], Weight is in grams.

Tolerances:

.xx ±0.05
.xxx ±0.012

| | | | | |
|--|--|---|--|-------------------------------|
|  <p>GT-BGA-2024 Drawing Ironwood Electronics, Inc. Tele: (800) 404-0204 www.ironwoodelectronics.com</p> | <p>Material: N/A Finish: N/A Weight: 33.15</p> | <p>STATUS: Released ENG: S. Huang FILE: GT-BGA-2024 Dwg</p> | <p>SHEET: 3 OF 4 DRAWN BY: M. Raske DATE: 05/08/2015</p> | <p>REV. A SCALE: 18:1</p> |
|--|--|---|--|-------------------------------|




| ITEM NO. | DESCRIPTION | Material |
|----------|--|----------------------------|
| 1 | Dowel Pin, 1/32" x 3/16", SS | Chrome Stainless Steel |
| 2 | Washer, #0 x .025", Nylon | Nylon 6/6 |
| 3 | Socket Base | 7075-T6 Aluminum Alloy |
| 4 | Clam Shell Lid | 7075-T6 Aluminum Alloy |
| 5 | Fluted Knob Compression Screw | 7075-T6 Aluminum Alloy |
| 6 | Latch, Ni plated | 7075-T6 Aluminum Alloy |
| 7 | Screw, M3 x 12mm, Low Head Cap, SS | 18-8 Stainless Steel |
| 8 | Spring Clamshell lid assembly | Steel Music Wire |
| 9 | Precision Compression Spring, Zinc-Plated Music Wire, 1/2" Length, .12" OD, .016" Wire | Zinc Plated Music Wire |
| 10 | Hinge Pin and Snap Ring, 2mm OD, 19mm long, SS | Stainless Steel (ferritic) |
| 11 | #0-80 X .25 LG, SOC HD CAP SCREW, ALLOY STL, BLK OXIDE | Alloy Steel |
| 12 | Compression Plate with step for 2.64x3.94mm IC | 7075-T6 Aluminum Alloy |
| 13 | IC Guide 2.64x3.94mm IC | Torlon 4203 |
| 14 | Ball Guide 0.4mm pitch 6x9 array | Kapton Polyimide/Cirlex |
| 15 | GT Elastomer 2.64x3.94mm IC 0.4mm pitch 6x9 array | Conductive Elastomer |
| 16 | Customer's device 2.64x3.94mm 0.4mm 6x9array | FR4 High temp |
| 17 | Customer's target PCB | FR4 High temp |

Description: Socket Detail

Primary dimension units are millimeters, Secondary dimension units are [inches], Weight is in grams.

Tolerances: Hole diameters $\pm 0.03\text{mm}$ [$\pm 0.001"$], Pitches (from true position) $\pm 0.025\text{mm}$ [$\pm 0.001"$], substrate thickness tolerance $\pm 10\%$, all other tolerances $\pm 0.13\text{mm}$ [$\pm 0.005"$] unless stated otherwise. Materials and specifications are subject to change without notice.

| | | | | |
|--|---|-----------------------|--------------------|------------|
|  GT-BGA-2024 Drawing Ironwood Electronics, Inc. Tele: (800) 404-0204 www.ironwoodelectronics.com | Material: N/A Finish: N/A Weight: 33.15 | STATUS: Released | SHEET: 4 OF 4 | REV. A |
| | | ENG: S. Huang | DRAWN BY: M. Raske | SCALE: 2:1 |
| | | FILE: GT-BGA-2024 Dwg | DATE: 05/08/2015 | |