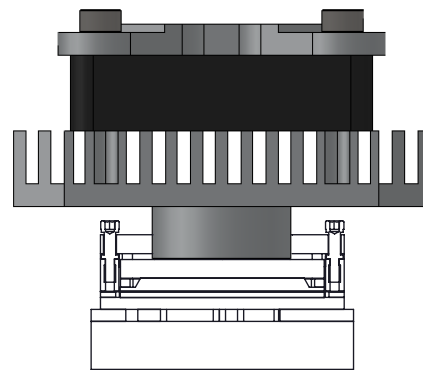
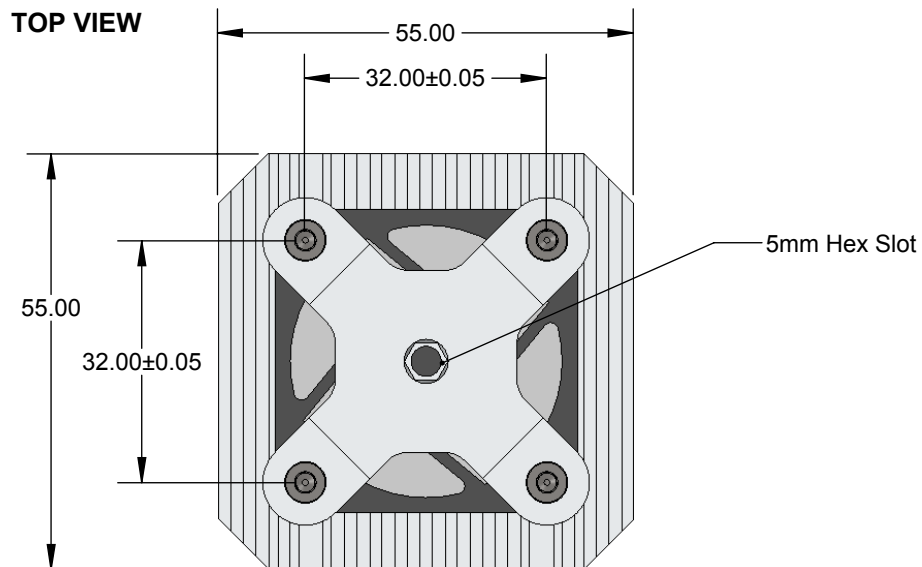
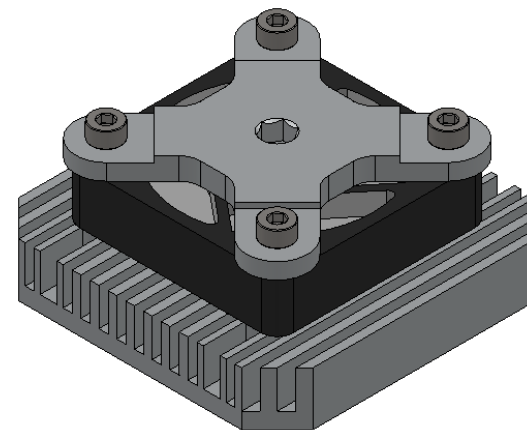
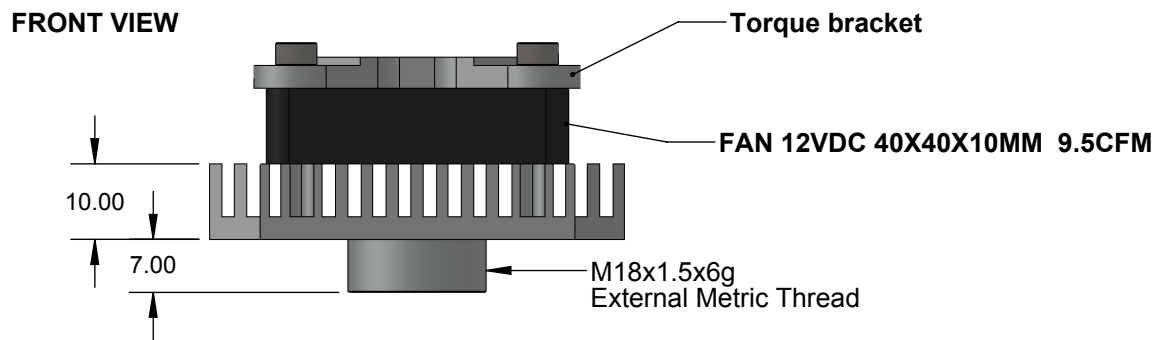


This heat sink compression screw is compatible with all Ironwood low profile swivel lid sockets for IC sizes >20 and <30mm.

Heat sink is rated for 8.5W



Socket Assembly (not to scale)
Socket **NOT** included




Description: Heat Sink Assembly 8.5w, Compression Screw 18x1.5

Primary dimension units are millimeters, Secondary dimension units are [inches], Weight is in grams.

Tolerances: Hole diameters ±0.03mm [±0.001"], Pitches (from true position) ±0.025mm [±0.001"], substrate thickness tolerance ±10%, all other tolerances ±0.13mm [±0.005"] unless stated otherwise. Materials and specifications are subject to change without notice.

Doc Rev	Date	Initials	Description
A	-	-	Original
B	11/16/12	ELS	VW to SW (no other changes)
C	3/31/15	SF	Added torque bracket to the assembly

 <p>HS-SG-6004 Drawing ©2015 Ironwood Electronics, Inc. Tele: (800) 404-0204 www.ironwoodelectronics.com</p>	<p>Material: N/A Finish: N/A Weight: 88.23</p>	STATUS: Released	SHEET: 1 OF 1	REV. C
		ENG: E. Smolentseva	DRAWN BY: E. Smolentseva	SCALE: 1:1
		FILE: HS-SG-6004	DATE: 11/16/12	