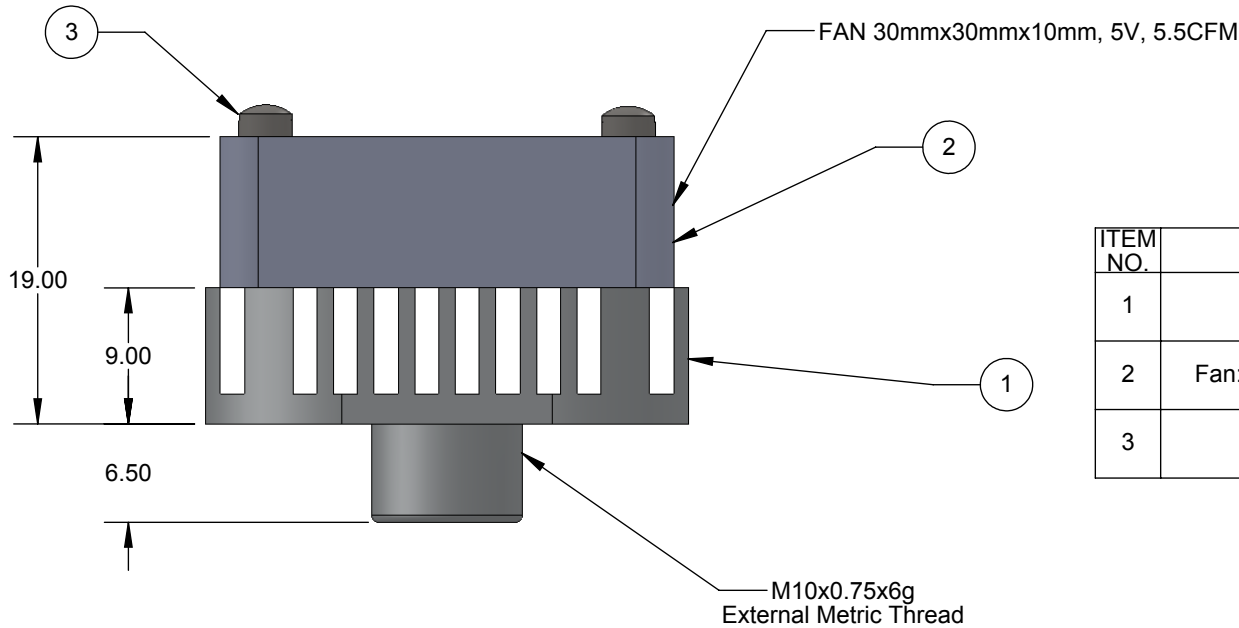
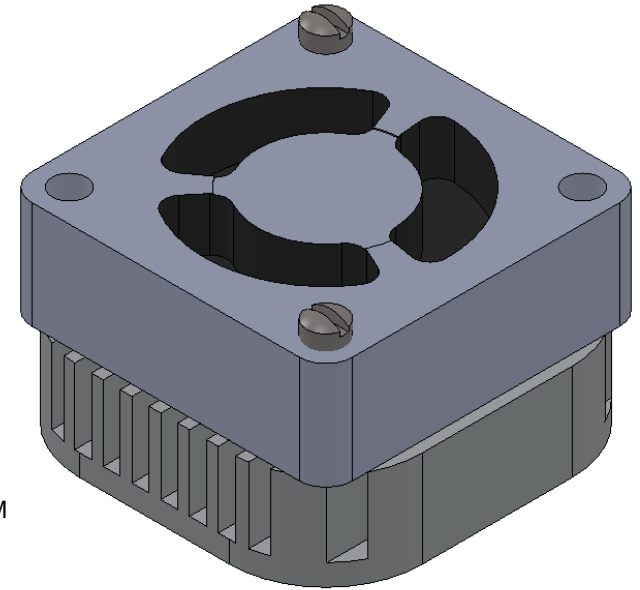
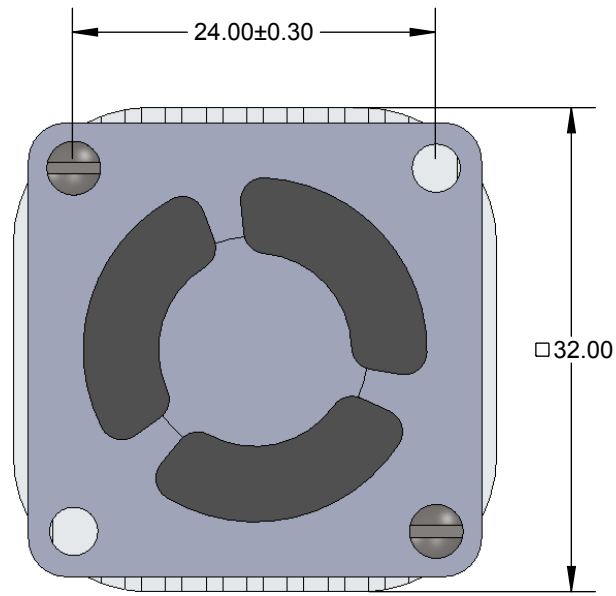


**This heat sink compression screw is compatible with all Ironwood low profile swivel lid sockets for IC sizes >20mm to <30mm, and socket lids with M10 threads.**

**Heat sink is rated for 10W**




ITEM NO.	DESCRIPTION	Material
1	M10 heatsink compression screw	7075-T6 Aluminum Alloy
2	Fan: 30x30x10mm 5V 5.5 CFM 0.6 watts	Material <not specified>
3	Fillister hd, 2-56, 1/2" lg, 18-8 SS	Stainless Steel (18-8)

**Description: Heat sink comp scrw SG M10 10W**

Primary dimension units are millimeters, Secondary dimension units are [inches], Weight is in grams.  
Tolerances: Hole diameters ±0.0254mm [±0.001"], Pitches (from true position) ±0.0254mm [±0.001"],  
substrate thickness tolerance ±10%, all other tolerances ±0.127mm [±0.005"]  
unless stated otherwise. Materials and specifications are subject to change without notice.

Doc Rev	Date	Initials	Description
A	11/17/14	JV	Original

 <b>HS-SG-6006 Specification</b> Ironwood Electronics, Inc. Tele: (800) 404-0204 www.ironwoodelectronics.com	Material: N/A Finish: N/A Weight: 24.04	STATUS: Released ENG: J. Vavra FILE: HS-SG-6006	SHEET: 1 OF 1 DRAWN BY: J. Vavra DATE: 11/17/2014	REV. A SCALE: 2:1
---	---	---	---	----------------------