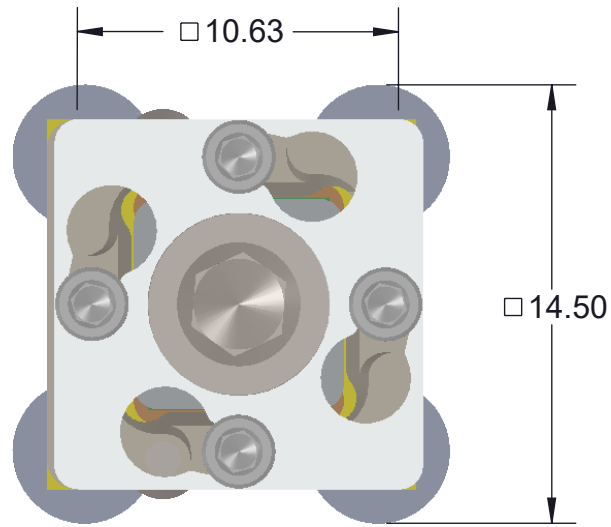
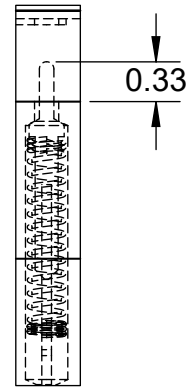


SBT-QFN DIRECT MOUNT, SOLDERLESS SOCKET FOR BURN-IN AND TEST APPLICATIONS



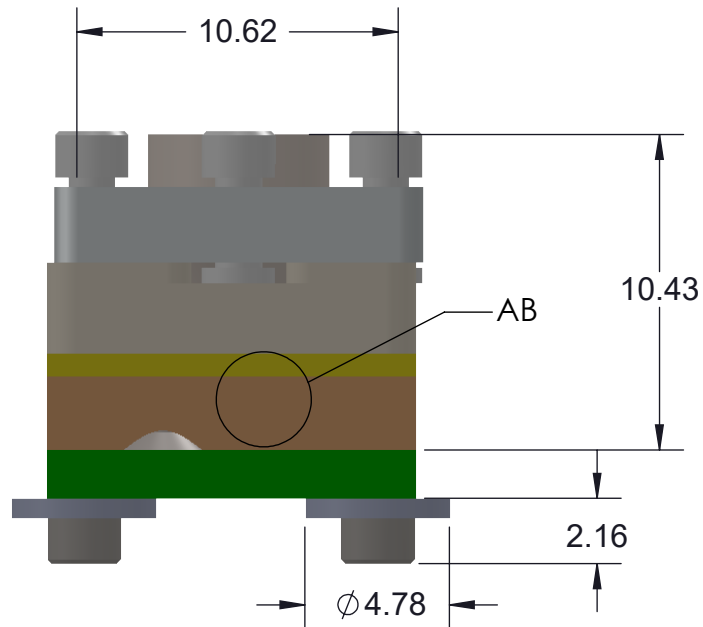
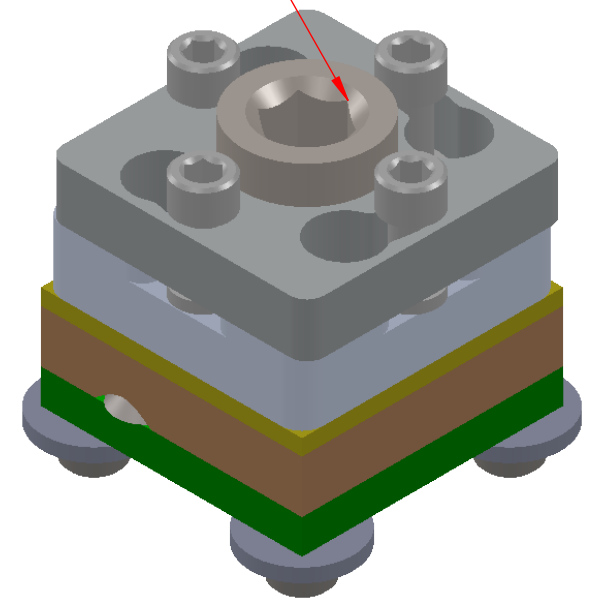
FEATURES:

- Wide temperature range (-55C to +180C)
- High current capability (up to 1.8A)
- Excellent signal integrity at high frequencies
- Low and stable contact resistance for reliable production yield
- Highly compliant to accommodate wide co-planarity variations
- Automated probe manufacturing enables low cost and short lead time



DETAIL AB
SCALE 16 : 1

Recommended torque
= 0.7 in-lbs



Description: SBT-aQFN pogo pin socket for 6x7mm aQFN93 multi pitch

Primary dimension units are millimeters, Secondary dimension units are [inches], Weight is in grams.

Tolerances: Hole diameters $\pm 0.03\text{mm}$ [± 0.001 "], Pitches (from true position) $\pm 0.025\text{mm}$ [± 0.001 "], substrate thickness tolerance $\pm 10\%$, all other tolerances $\pm 0.13\text{mm}$ [± 0.005 "] unless stated otherwise. Materials and specifications are subject to change without notice.

SBT-AQFN-5000 Drawing



Ironwood Electronics, Inc.
Tele: (800) 404-0204
www.ironwoodelectronics.com

Material: N/A
Finish: N/A
Weight: 4.36

STATUS: Released

ENG: S. Huang

FILE: SBT-AQFN-5000 Dwg

SHEET: 1 OF 4

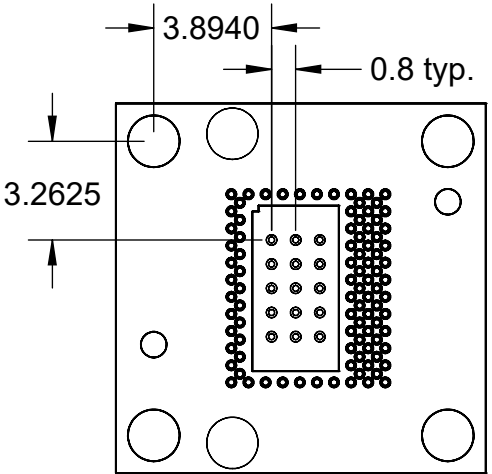
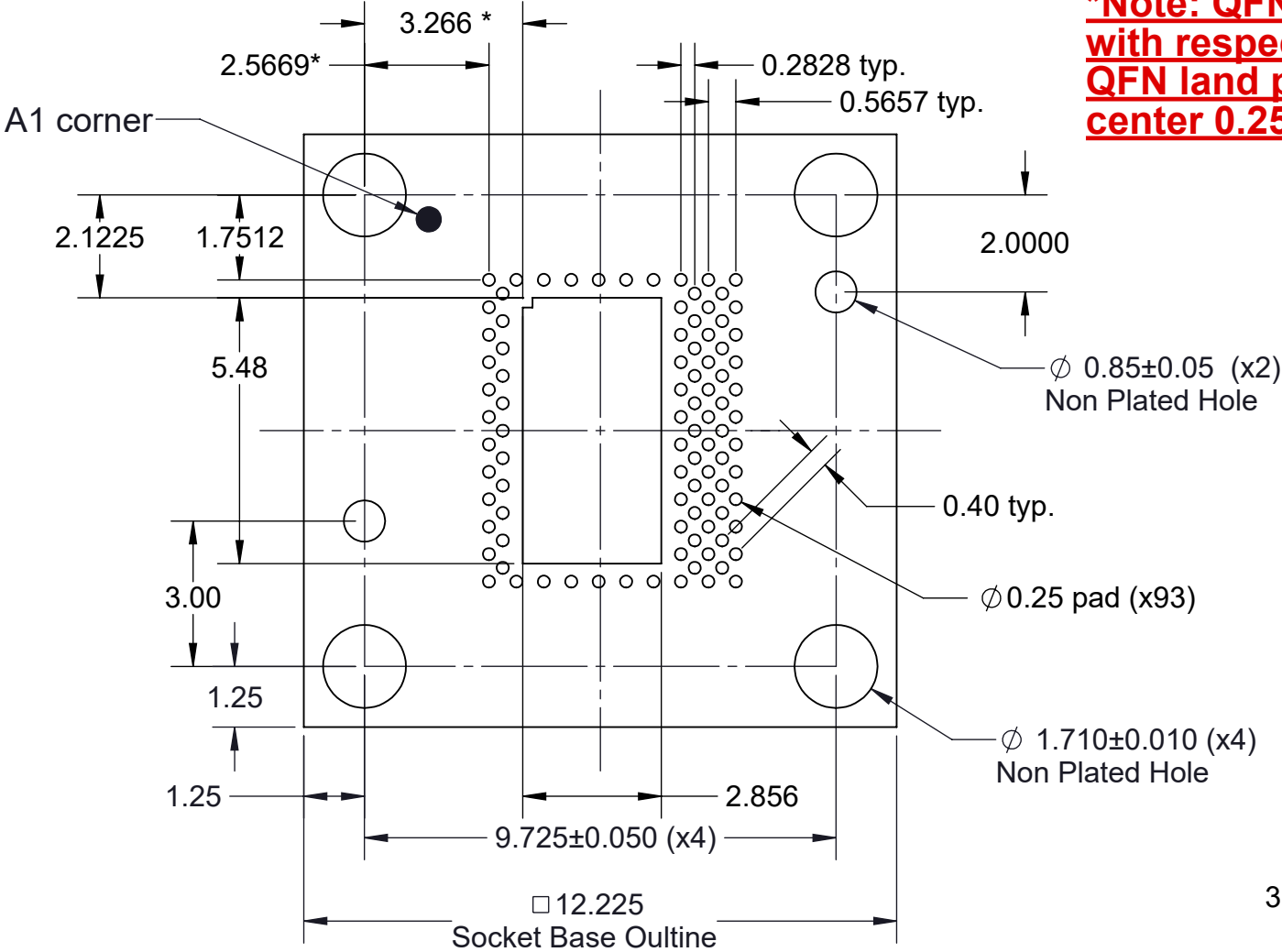
DRAWN BY: M. Raske

DATE: 10/14/2013

REV. C

SCALE: 4:1

***Note: QFN pattern is not symmetrical with respect to the mounting holes. QFN land pattern is shifted right of center 0.25mm only.**




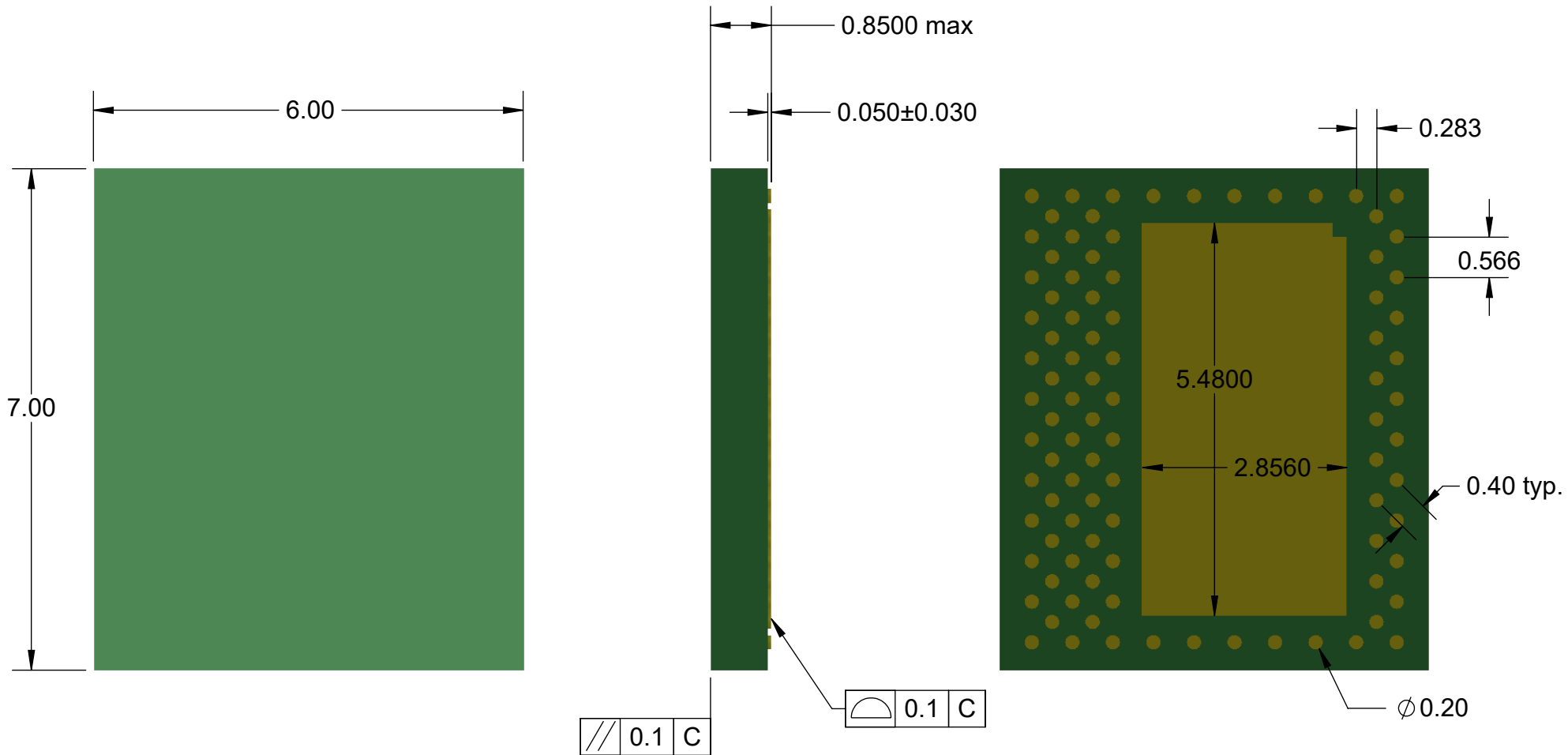
Pin on Epad

Target PCB Recommendations
 Total thickness: 1.6mm min.
 Plating: Gold or Solder finish
 PCB Pad height: Same or higher than solder mask

Description: Recommended Layout

Primary dimension units are millimeters, Secondary dimension units are [inches], Weight is in grams.
 Tolerances: Hole diameters ±0.03mm [±0.001"], Pitches (from true position) ±0.025mm [±0.001"], substrate thickness tolerance ±10%, all other tolerances ±0.13mm [±0.005"] unless stated otherwise. Materials and specifications are subject to change without notice.


| | | | | |
|--|--|--|---|----------------------|
|  SBT-AQFN-5000 Drawing Ironwood Electronics, Inc. Tele: (800) 404-0204 www.ironwoodelectronics.com | Material: N/A Finish: N/A Weight: 4.36 | STATUS: Released ENG: S. Huang FILE: SBT-AQFN-5000 Dwg | SHEET: 2 OF 4 DRAWN BY: M. Raske DATE: 10/14/2013 | REV. C SCALE: 7:1 |
| | | | | |

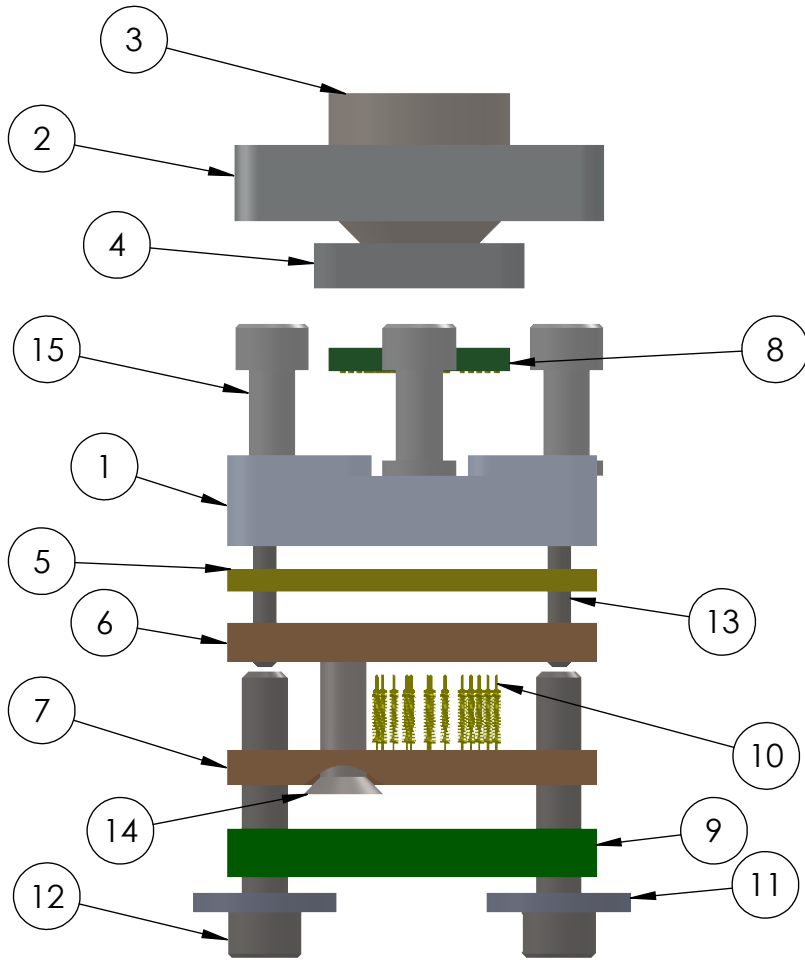


Description: QFN Spec

Primary dimension units are millimeters, Secondary dimension units are [inches], Weight is in grams.

Tolerances: Hole diameters $\pm 0.03\text{mm}$ [± 0.001 "]. Pitches (from true position) $\pm 0.025\text{mm}$ [± 0.001 "], substrate thickness tolerance $\pm 10\%$, all other tolerances $\pm 0.13\text{mm}$ [± 0.005 "] unless stated otherwise. Materials and specifications are subject to change without notice.

| | | | | | |
|--|-------------|---------------|-------------------------|--------------------|-------------|
| SBT-AQFN-5000 Drawing | | Material: N/A | STATUS: Released | SHEET: 3 OF 4 | REV. C |
|  Ironwood Electronics, Inc. Tele: (800) 404-0204 www.ironwoodelectronics.com | Finish: N/A | Weight: 4.36 | ENG: S. Huang | DRAWN BY: M. Raske | SCALE: 12:1 |
| | | | FILE: SBT-AQFN-5000 Dwg | DATE: 10/14/2013 | |
| | | | | | |




| ITEM NO. | DESCRIPTION | Material |
|----------|---|------------------------|
| 1 | Socket Base 7mm | 7075-T6 Aluminum Alloy |
| 2 | Socket Lid 7mm Swl Ni plt | 7075-T6,Plate |
| 3 | Compression Screw M6x1 | Stainless Steel (18-8) |
| 4 | Comp Plate 7mm 1.5mm thk | 7075-T6 (SN) |
| 5 | IC Guide 6x7mm IC | Torlon 4203 |
| 6 | AQFN93 TOP Guide | Semitron MDS 100 |
| 7 | AQFN93 Bottom guide | Semitron MDS 100 |
| 8 | aQFN93 test chip 6x7mm multi pitch | FR4 |
| 9 | Test PCB | FR4 |
| 10 | Stamped Pin, 0.4mm SBT-LGA/QFN | N/A |
| 11 | Washer, #0 x .025", Nylon | Nylon 6/6 |
| 12 | #0-80 X .313 LG, SOC HD CAP SCREW, ALLOY STL, BLK OXIDE | Alloy Steel |
| 13 | Dowel pin, 1/32" X 1/4", SS | Stainless Steel (18-8) |
| 14 | #0-80, 90 deg., head pin guide screw, Peek material | PEEK unfilled |
| 15 | #0-80 Shoulder Screw, 1.59mm thread length | Stainless Steel (303) |

Description: Exploded View

Primary dimension units are millimeters, Secondary dimension units are [inches], Weight is in grams.

Tolerances: Hole diameters $\pm 0.03\text{mm}$ [$\pm 0.001"$], Pitches (from true position) $\pm 0.025\text{mm}$ [$\pm 0.001"$], substrate thickness tolerance $\pm 10\%$, all other tolerances $\pm 0.13\text{mm}$ [$\pm 0.005"$] unless stated otherwise. Materials and specifications are subject to change without notice.

| Rev | Date | Initials | Description |
|-----|----------|----------|--|
| A | 10/14/13 | MR | Original |
| B | 08/14/14 | DH | Changed IC Guide material to Torlon |
| C | 3/25/16 | MR | Replaced plastic screws with peek screws |

| | | | | |
|--|--|--|---|----------------------|
|  SBT-AQFN-5000 Drawing Ironwood Electronics, Inc. Tele: (800) 404-0204 www.ironwoodelectronics.com | Material: N/A Finish: N/A Weight: 4.36 | STATUS: Released ENG: S. Huang FILE: SBT-AQFN-5000 Dwg | SHEET: 4 OF 4 DRAWN BY: M. Raske DATE: 10/14/2013 | REV. C SCALE: 4:1 |
|--|--|--|---|----------------------|