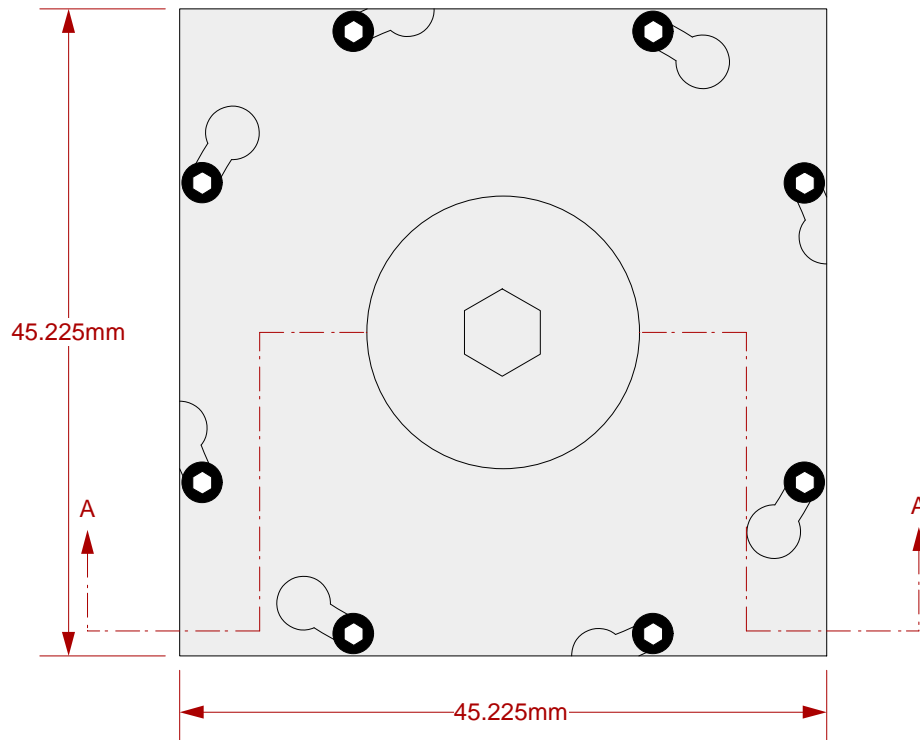


GHz BGA Socket - Direct mount, solderless

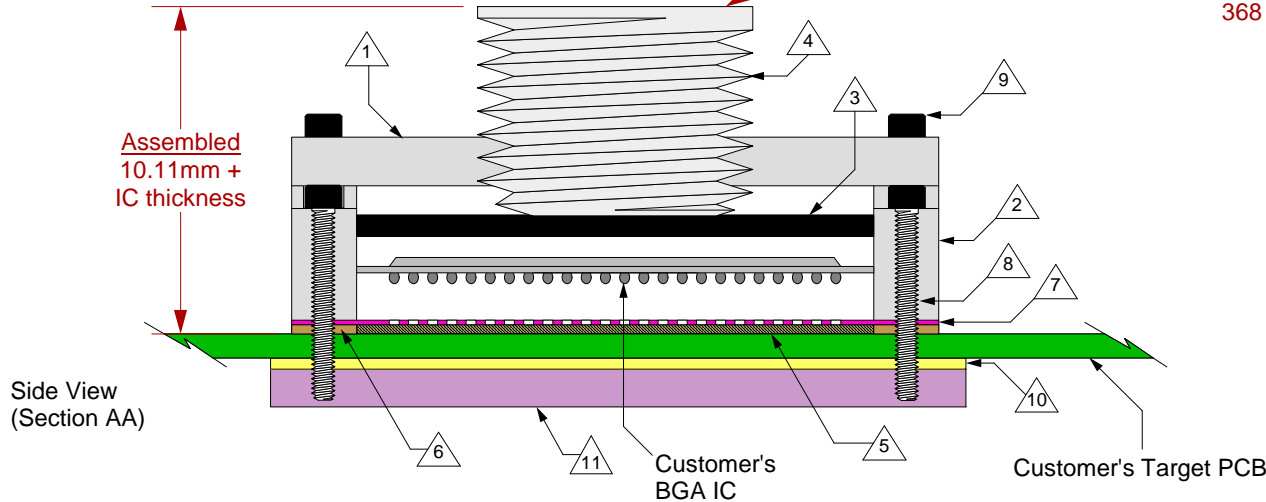
Top View



Features

- Directly mounts to target PCB (needs tooling holes) with hardware.
- High speed, reliable Elastomer connection
- Minimum real estate required
- Compression plate distributes forces evenly
- Ball guide prevents over compression of elastomer
- Easily removable swivel socket lid

Recommended torque = 23 in lbs./
368 in oz.



- | | |
|----|--|
| 1 | Socket Lid: Black anodized Aluminum.
Thickness = 2.5mm. |
| 2 | Socket base: Black anodized Aluminum.
Thickness = 7.5mm. |
| 3 | Compression Plate: Black anodized Aluminum.
Thickness = 4.0mm. |
| 4 | Compression screw: Clear anodized Aluminum.
Thickness = 5mm, Hex socket = 5mm. |
| 5 | Elastomer: 40 micron dia gold plated brass filaments arranged symmetrically in a silicone rubber (63.5 degree angle).
Thickness = 0.75mm. |
| 6 | Elastomer Guide: Cirlex or equivalent.
Thickness = 0.75mm. |
| 7 | Ball Guide: Kapton polyimide. |
| 8 | Socket base screw: Socket head cap, alloy steel with black oxide finish, 0-80 fine thread, 12.7mm long. |
| 9 | Socket lid screw: Shoulder screw, 18-8 SS, 0-80 fine thread. |
| 10 | Insulation Plate: FR4/G10, Thickness = 1.59mm. |
| 11 | Backing Plate: Black anodized Aluminum.
Thickness = 6.35mm. |

SG-BGA-6036 Drawing

© 2009 IRONWOOD ELECTRONICS, INC.
11351 Rupp Drive, Suite 400, Burnsville, MN 55337
Tele: (952) 229-8200
www.ironwoodelectronics.com

Status: Released

Scale: -

Rev: H

Drawing: W. Watson

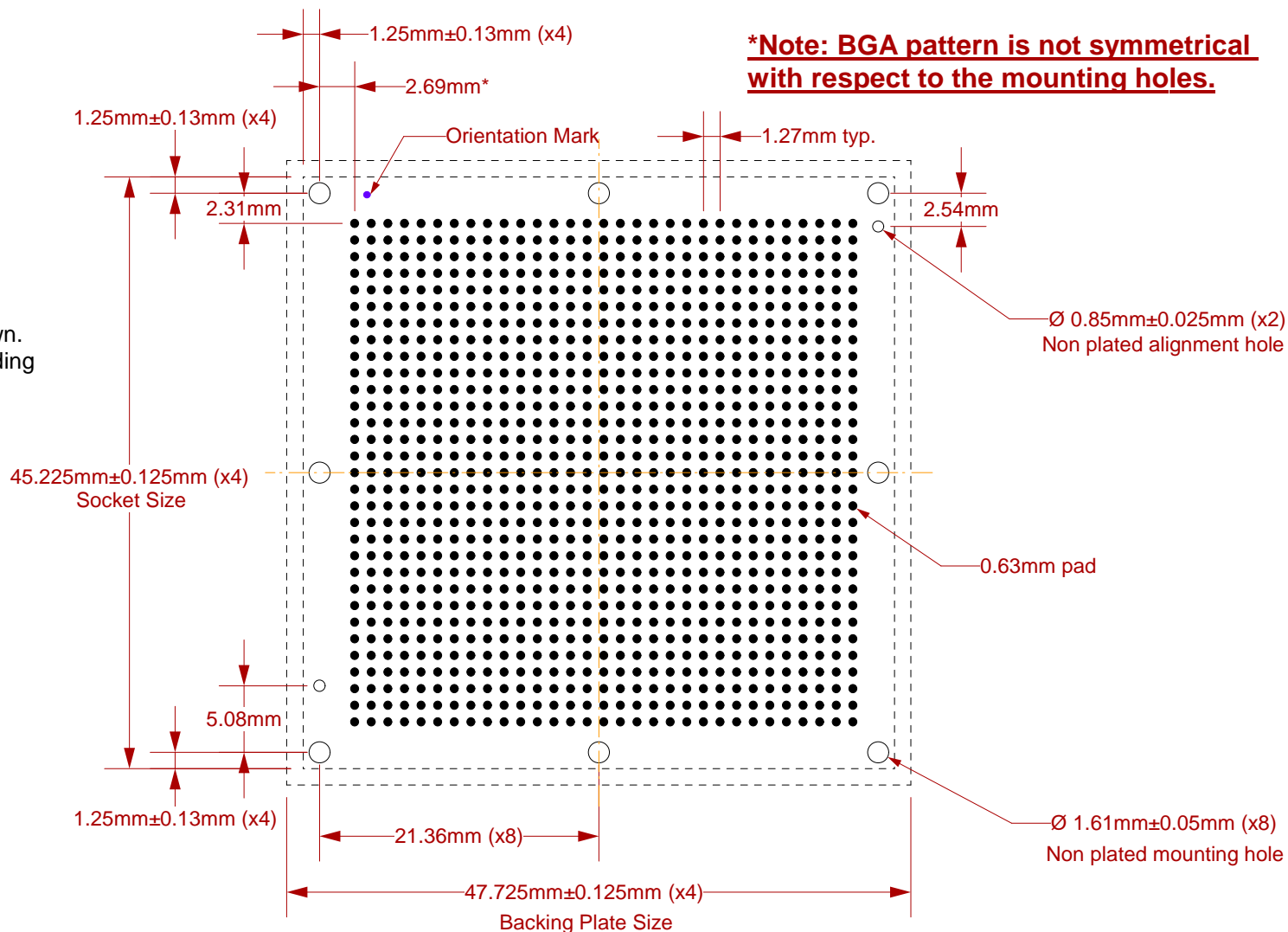
Date: 4/11/02

File: SG-BGA-6036 Dwg

Modified: 7/20/09, AE

All tolerances: ± 0.125 mm (unless stated otherwise). Materials and specifications are subject to change without notice.

Recommended PCB Layout
Top View




Note: Full BGA pattern shown.
 Please adjust pattern according
 to individual requirements.

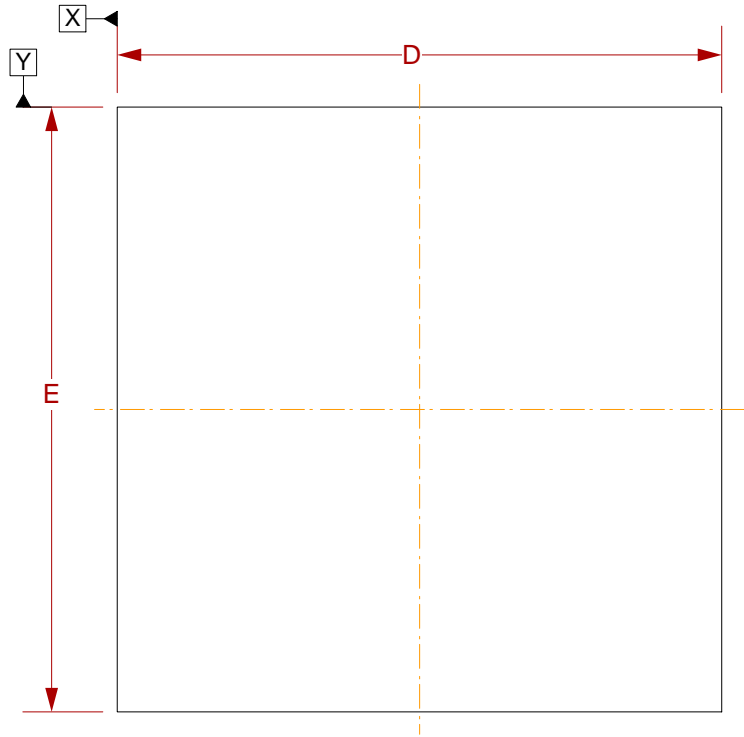
Target PCB Recommendations

Total Thickness: 2.4mm min.
 Plating: Gold or Solder finish.
 PCB Pad Height: Same or higher than solder mask.

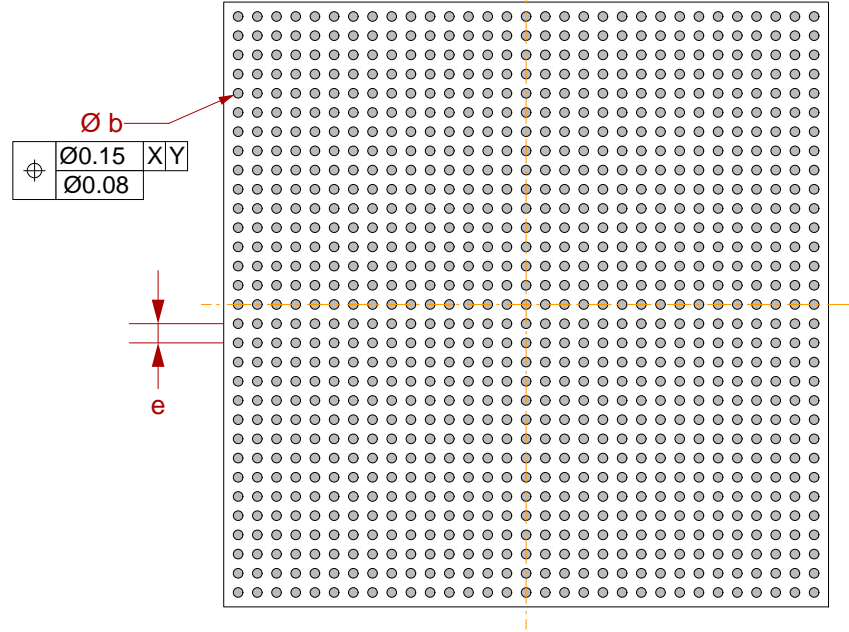
NOTE: Steel backing plate may be required based on end user's application.

Recommended PCB Layout Tolerances: ±0.025mm [±0.001"] unless stated otherwise.

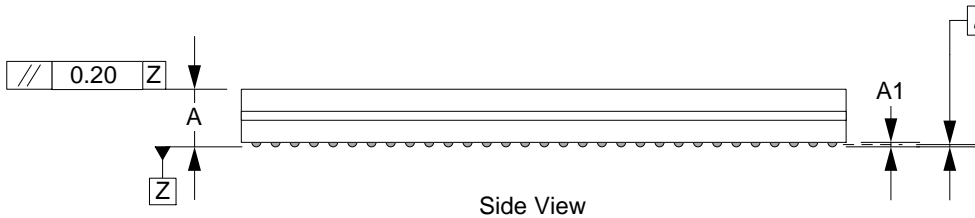
	SG-BGA-6036 Drawing		Status: Released	Scale: 2:1	Rev: H	
	© 2009 IRONWOOD ELECTRONICS, INC. 11351 Rupp Drive, Suite 400, Burnsville, MN 55337 Tele: (952) 229-8200 www.ironwoodelectronics.com			Drawing: W. Watson		Date: 4/11/02
				File: SG-BGA-6036 Dwg		Modified: 7/20/09, AE



Top View



Bottom View




Side View

1. Dimensions are in millimeters.
2. Interpret dimensions and tolerances per ASME Y14.5M-1994.

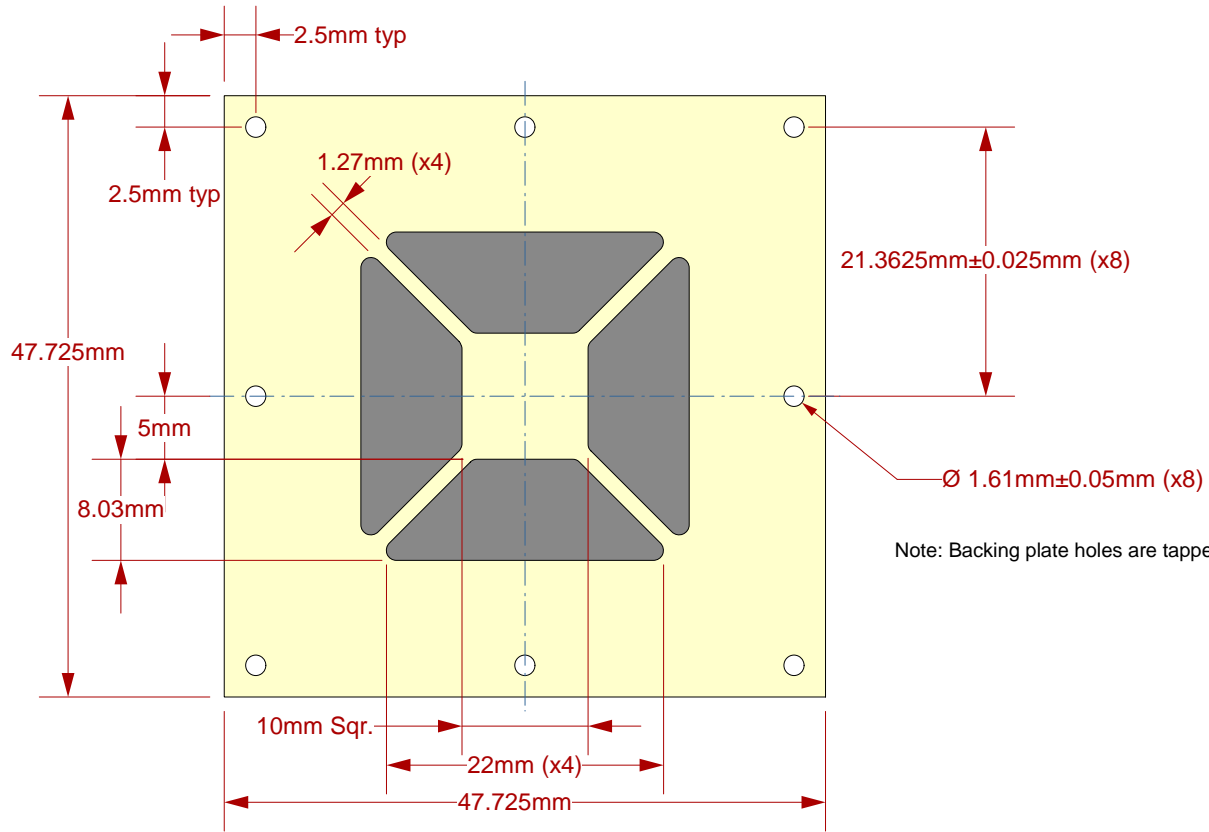
3. Dimension b is measured at the maximum solder ball diameter, parallel to datum plane Z.
4. Datum Z (seating plane) is defined by the spherical crowns of the solder balls.
5. Parallelism measurement shall exclude any effect of mark on top surface of package.

DIM	MIN	MAX
A		3.50
A1	0.50	0.70
b		0.90
D/E	40.00 BSC	
e	1.27 BSC	

Array: 31x31

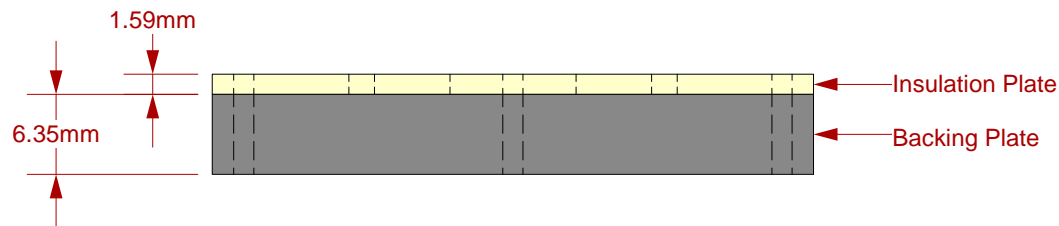
 <p>© 2009 IRONWOOD ELECTRONICS, INC. 11351 Rupp Drive, Suite 400, Burnsville, MN 55337 Tele: (952) 229-8200 www.ironwoodelectronics.com</p>	<p>SG-BGA-6036 Drawing</p>	<p>Status: Released</p>	<p>Scale: -</p>	<p>Rev: H</p>
	<p>Drawing: W. Watson</p>	<p>Date: 3/11/02</p>		
	<p>File: SG-BGA-6036 Dwg</p>	<p>Modified: 7/20/09, AE</p>		

Top View




Note: Backing plate holes are tapped to accept 0-80 screws.

Side View



Description: Insulation Plate and Backing Plate.

 <p>© 2009 IRONWOOD ELECTRONICS, INC. 11351 Rupp Drive, Suite 400, Burnsville, MN 55337 Tele: (952) 229-8200 www.ironwoodelectronics.com</p>	<p>SG-BGA-6036 Drawing</p>	<p>Status: Released</p>	<p>Scale: -</p>	<p>Rev: H</p>
	<p>Drawing: W. Watson</p>	<p>Date: 3/11/02</p>		
	<p>File: SG-BGA-6036 Dwg</p>	<p>Modified: 7/20/09, AE</p>		

All dimensions are in mm.
All tolerances are +/- 0.125mm.
(Unless stated otherwise)