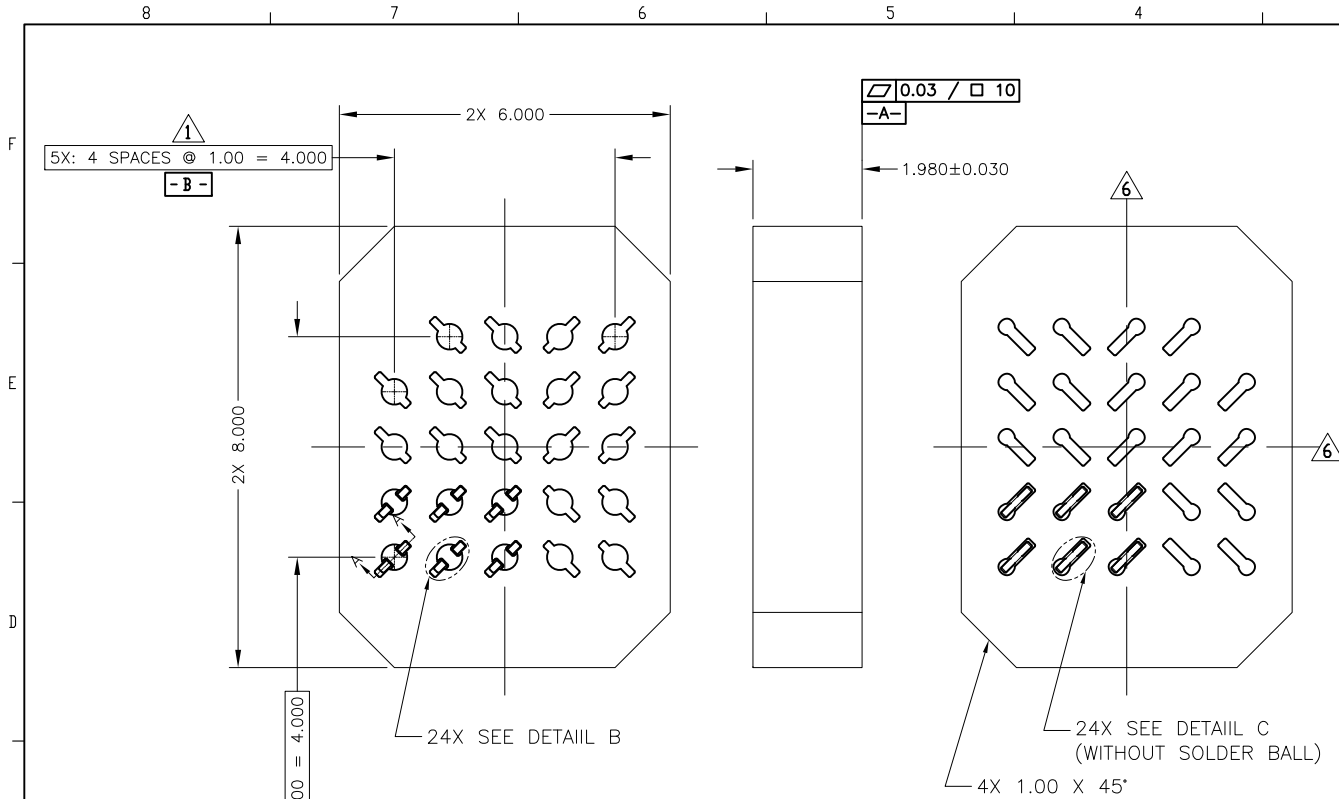
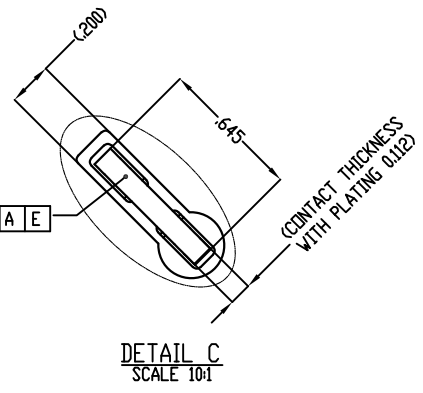
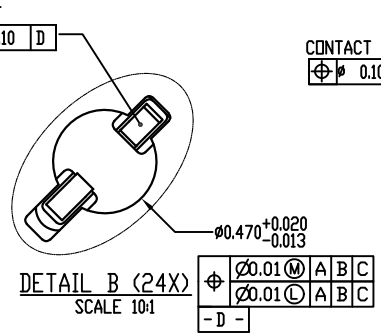
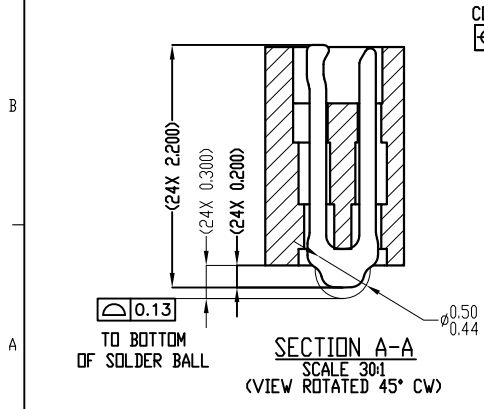


REV	ECO	BY	DESCRIPTION	APV	DATE
A	32018	RS	INITIAL DESIGN	NSJ	12/05/18



- Notes:
1. Dimension locates center of slot/contact.
 2. Unless otherwise noted, all features located $\oplus 0.10$ A B C
 3. Reference R&D Interconnect Solutions specification 103862-0001 for Application notes.
 4. Press size is 6.00 X 8.00.
 5. Datum -B- and -C- are defined by $\phi 0.470$ features on corner slots.
 6. -E- center of contact pattern.

PARTS LIST	
PART NUMBER	DESCRIPTION
107282-0011	SCKT, 24G80 6X8-1.0, SAC305
107283-0010	CS, 24G80 6X8-1.0
103864-0107	PRESS, DEV INS, 6.00X8.00 (SOLD SEP.)
104553-0334	STEN,FLEX, 24G80 6X8-1.0 (SOLD SEP.)



UNLESS OTHERWISE SPECIFIED - DIMENSIONS ARE IN MILLIMETERS - DIM'S APPLY AFTER PLATING

TOLERANCES UNLESS OTHERWISE NOTED:

ANGLES	DECIMALS	
±1°	X.X	±0.25
	X.XX	±0.10
	X.XXX	±0.050

LEGEND:

- (X) NOTE CALLOUT
- (RT) REVISION CHANGE
- (X) ITEM NUMBER

THE INFORMATION CONTAINED IN THIS DRAWING IS THE SOLE PROPERTY OF HSIO TECHNOLOGIES, LLC. ANY REPRODUCTION IN PART OR WHOLE WITHOUT THE WRITTEN PERMISSION OF HSIO TECHNOLOGIES, LLC, IS PROHIBITED.

CAD GENERATED DRAWING DO NOT MANUALLY UPDATE

DRAWING APPROVALS

NAME	DATE	TITLE
R. SEWHARACK	12/05/18	SCKT, 24G80 6.0X8.0-1.0, SAC305
N. ST JACQUE	12/05/18	

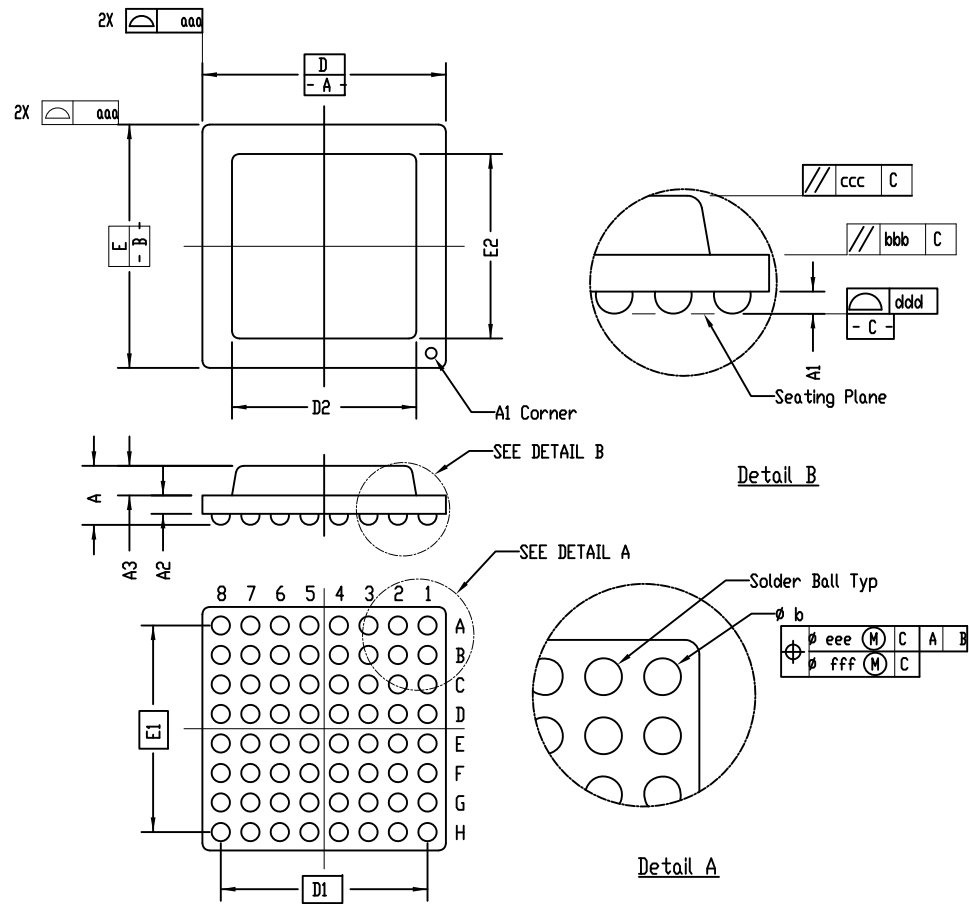
THIRD ANGLE PROJECTION

SCALE	CAD FORMAT	DRAWING NO.	REV.
SEE B.O.M	AUTOCAD	107282-0011	A

1 of 2

SOCKET FOR DEVICES THAT ARE WITHIN THESE SPECIFICATIONS					
Lead Count	N	24	Package Size	D	6.00
Columns	ND	5		E	8.00
Rows	NE	5	Ball Spacing	D1	4.000
Pitch	e	1.00		E1	4.000
Ball Size	b	0.40±0.05	Encapsulant/ Top Size	D2	n/a
Total Thickness	A	n/a		E2	n/a
Ball Height	A1	0.250 Min.	Pattern Style	IRREGULAR*	
Substrate Thickness	A2	n/a	Perimeter Rows	n/a	
Top Thickness	A3		Center Array	n/a	
Form Tolerances					
Edge	aaa	0.20	Bottom	ddd	0.15
Substrate	bbb	0.20	Position	eee	0.20
top	ccc	0.20	Position	fff	0.08

ALL DIMENSIONS ARE IN MILLIMETERS.



Generic Representation with Full Grid Array

THE INFORMATION CONTAINED IN THIS DRAWING IS THE SOLE PROPERTY OF HSIO TECHNOLOGIES, LLC. ANY REPRODUCTION IN PART OR WHOLE WITHOUT THE WRITTEN PERMISSION OF HSIO TECHNOLOGIES, LLC. IS PROHIBITED.			
UNLESS OTHERWISE SPECIFIED - DIMENSIONS ARE IN MILLIMETERS - DIM'S APPLY AFTER PLATING		HSIO TECHNOLOGIES, LLC. 13400 68TH AVENUE NORTH MAPLE GROVE, MN 55311. 763-447-6260	
TOLERANCES UNLESS OTHERWISE NOTED: ANGLES DECIMALS ±° 1.X ±0.25 2.XX ±0.10 X.XXX ±0.050		TITLE SCKT, 24G80 6.0X8.0-1.0, SAC305	
LEGEND:	NOTE CALLOUT	FILE C	REV. A
	REVISION CHANGE	DWG. FILE AUTOCAD	DRAWING NO. 107282-0011
	ITEM NUMBER	SCALE See Pg 1	SHEET 2of2