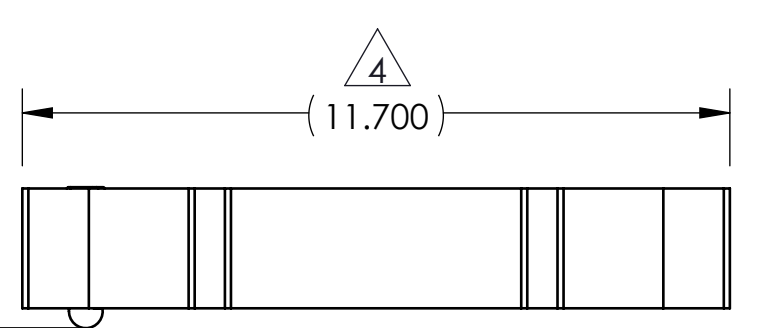
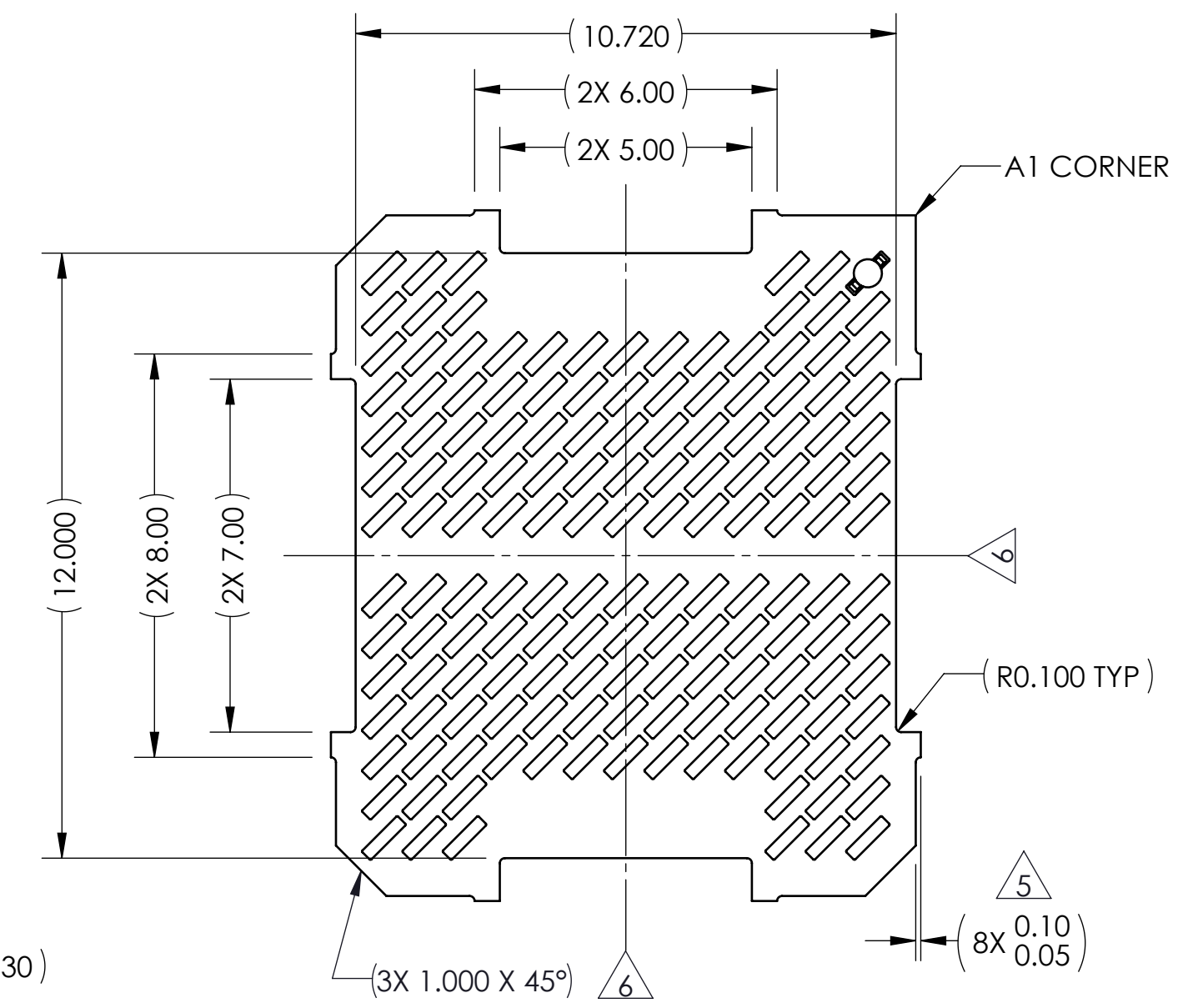
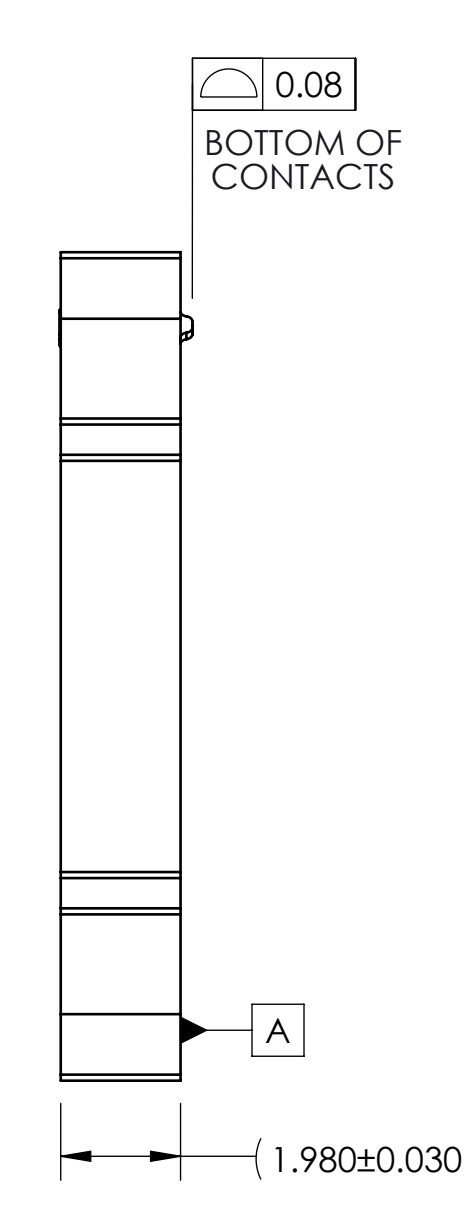
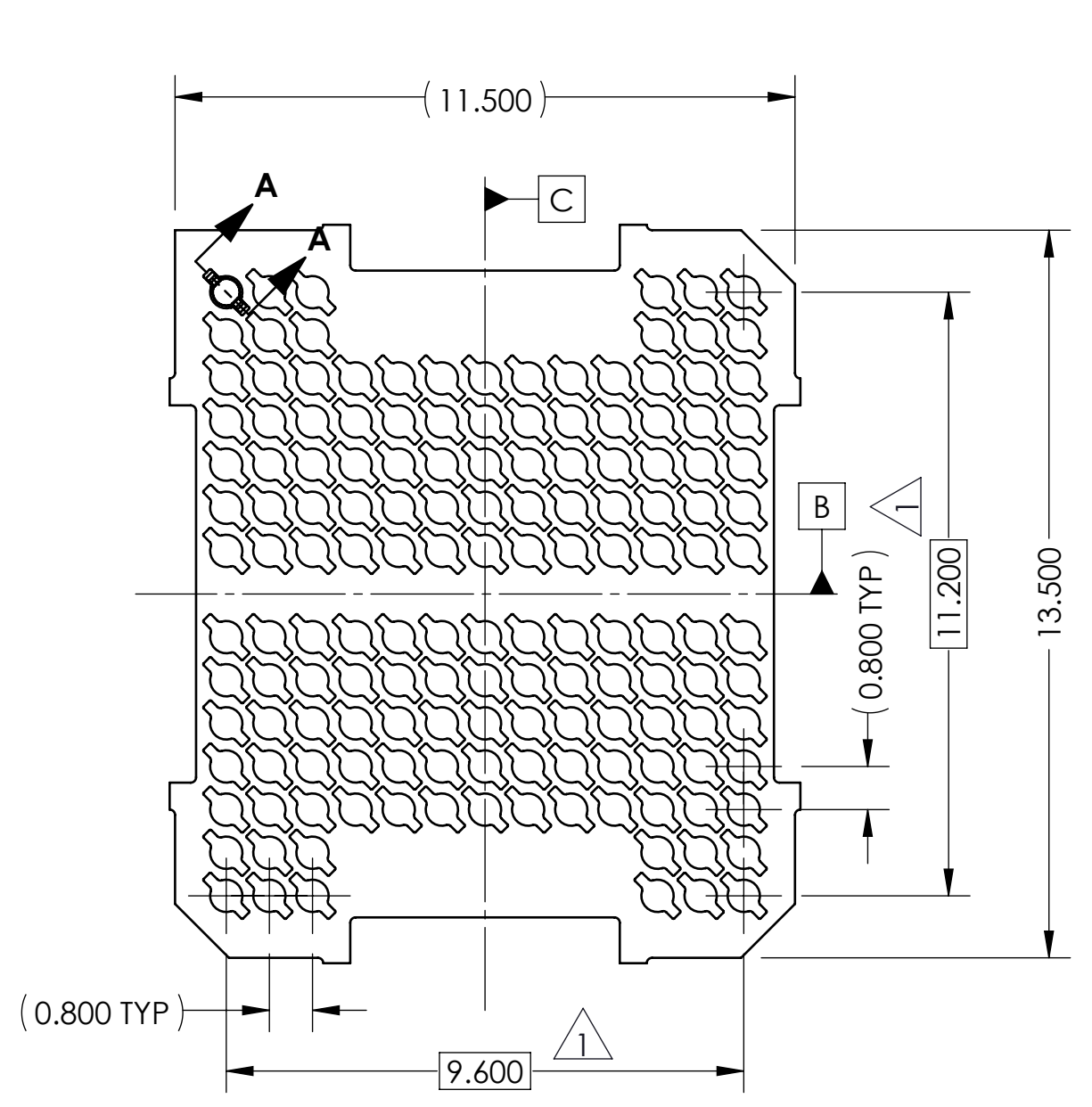
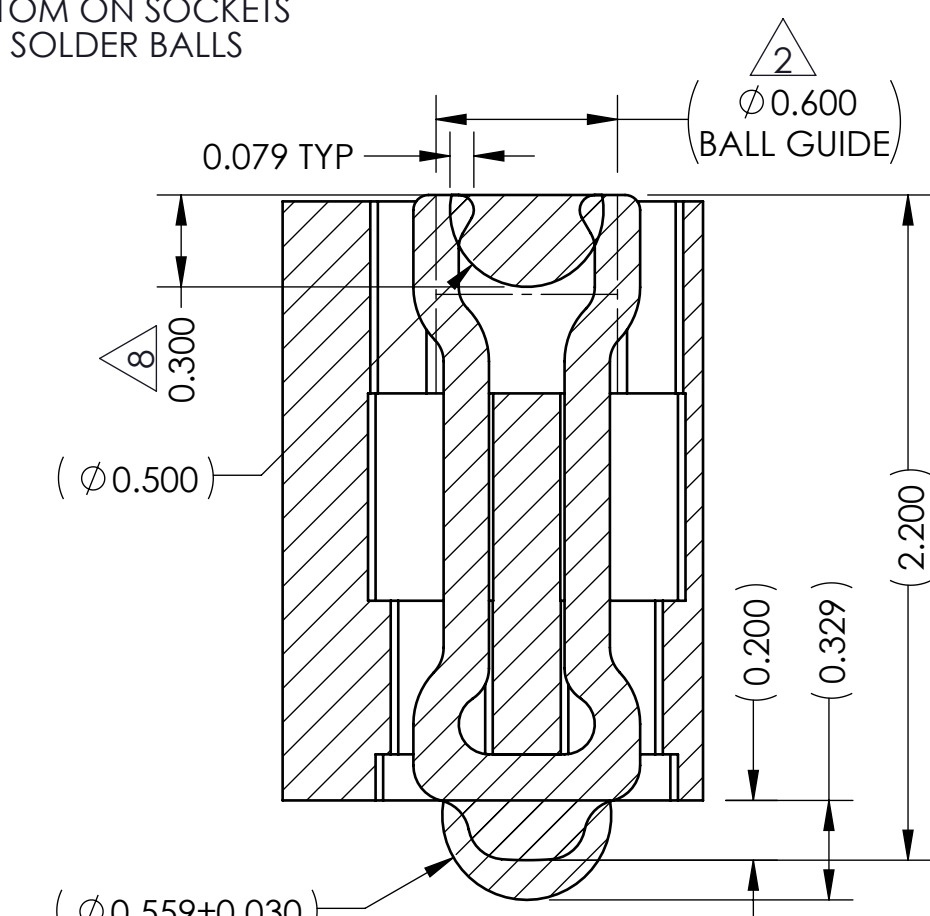


REV	ECO	BY	DESCRIPTION	APV	DATE
A	6350	JEB	INITIAL DESIGN	DJP	7/30/21



TO BOTTOM ON SOCKETS WITH SOLDER BALLS



SECTION A-A
SCALE 40:1

Notes:

- 1 LOCATES CENTER OF CONTACT SLOTS.
- 2 DATUM B AND C DETERMINED BY Ø0.600 OPENING IN CORNER SLOTS.
- 3 UNLESS OTHERWISE NOTED, ALL FEATURES LOCATED $\oplus 0.10$ A B C.
- 4 INCLUDES TOOLING PROTRUSIONS.
- 5 TOOLING MARKS PERMITTED. MAXIMUM 0.10 PROTRUSION SHOWN.
- 6 CENTERLINE OF SOCKET.
- 7 CONTACT NUMBER: 104468-0001
- 8 MINIMUM SOLDER BALL EXPOSURE IS: $1/2(\text{Ø OF SOLDER BALL}) + 0.05\text{mm}$.
- 9 HOUSING NUMBER: 106660-0055
- 10 SEE CUSTOMER'S P.O.D. FOR ANY MISSING FORM TOLERANCE AND/OR DIMENSIONS.
- 11 SOCKET SHOWN FOR DEVICES THAT ARE WITHIN SPECIFIED SPECIFICATIONS.

PART NUMBER	DESCRIPTION
GR1110-0001	SCKT, 154GRY 11.5X13.5-0.80, LIF, EUT (EUTECTIC SOLDER BALL)
GR1110-0002	SCKT, 154GRY 11.5X13.5-0.80, LIF, SAC305 (SAC305 SOLDER BALL)
GR1110-0003	SCKT, 154GRY 11.5X13.5-0.80, LIF, W/O (WITHOUT SOLDER BALL)
103864-0128	PRESS DEV, 11.5OX13.0 (SOLD SEPARATELY)
104553-0605	STEN, FLEX 154BGA 11.5OX13.5-0.80 (SOLD SEPARATELY)
108639-0179	ALIGN, FRAME, 11.5X13.5 (SOLD SEPARATELY)
105900-0004	EXTRACTION TOOL, 4 X 53 (SOLD SEPARATELY)

UNLESS OTHERWISE SPECIFIED - DIMENSIONS ARE IN MILLIMETERS - DIMS APPLY AFTER PLATING
TOLERANCES UNLESS OTHERWISE NOTED:
ANGLES ±1° DECIMALS
X.X ±0.25
X.XX ±0.10
X.XXX ±0.050

THE INFORMATION CONTAINED IN THIS DRAWING IS THE SOLE PROPERTY OF IRONWOOD ELECTRONICS, INC. ANY REPRODUCTION IN PART OR WHOLE WITHOUT THE WRITTEN PERMISSION OF IRONWOOD ELECTRONICS, INC. IS PROHIBITED.

CAD GENERATED DRAWING
DO NOT MANUALLY UPDATE

IRONWOOD ELECTRONICS, INC
1335 EAGANDALE CT.
EAGAN, MN 55121. 952-229-8200

SCKT, 154GRY 11.5X13.5-0.80

DRAWING APPROVALS

NAME	DATE
JEB	7/30/21
DJP	7/30/21

LEGEND:

- (X) NOTE CALLOUT
- (A) REVISION CHANGE
- (X) ITEM NUMBER

THIRD ANGLE PROJECTION

SCALE	CAD FORMAT	DRAWING NO.	REV.
C	SOLIDWORKS	GR1110-XXXX	A
MATERIAL	SEE B.O.M.		SHEET 1 of 1