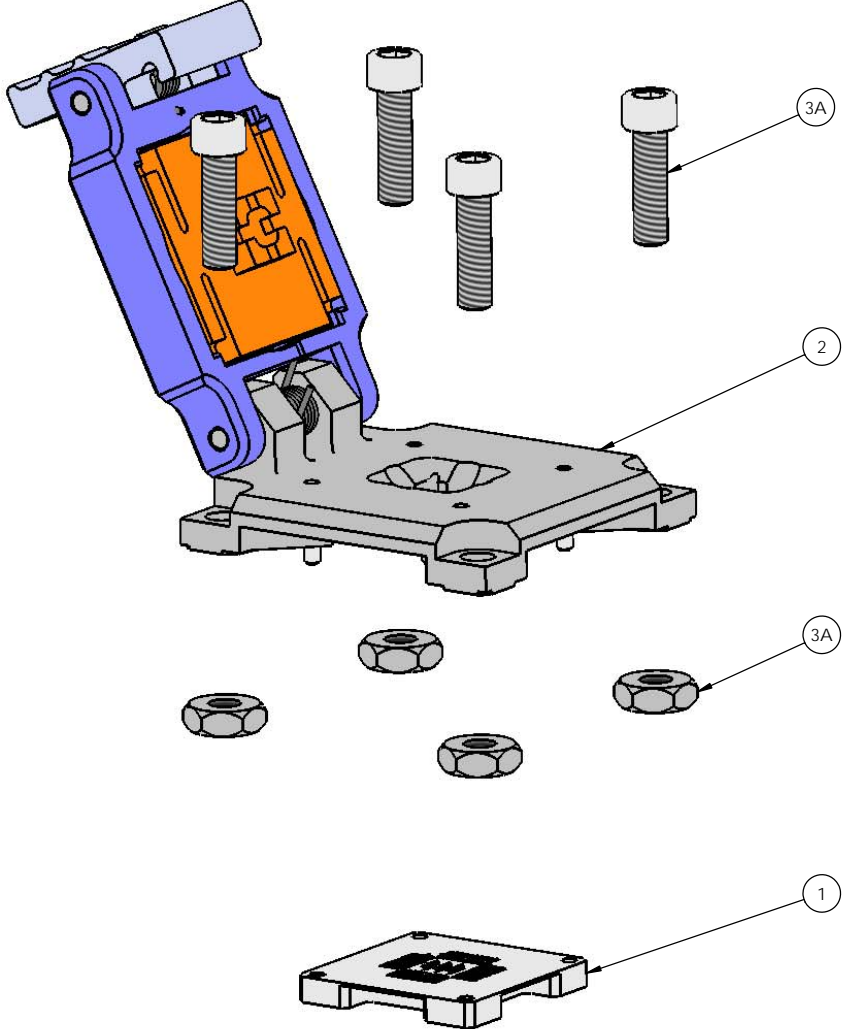


REV	ECO	BY	DESCRIPTION	APV	DATE
A	ECO	KP	Initial Design	MP	10/23/09
B	30848	JN	Updated drawing format	KW	07/28/11
C	31041	KDW	Corrected footprint part number 100672-0021 was 100672-0007	KDW	05/02/12



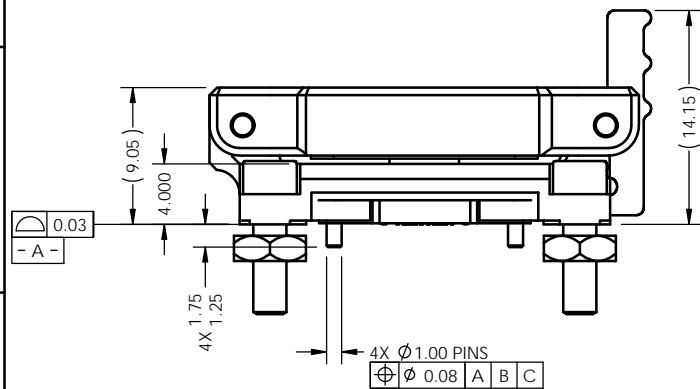
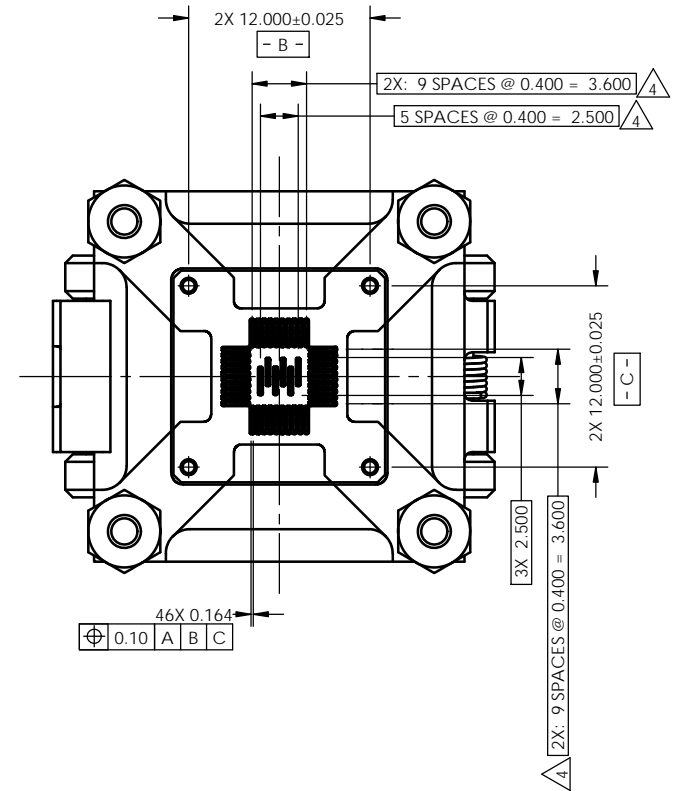
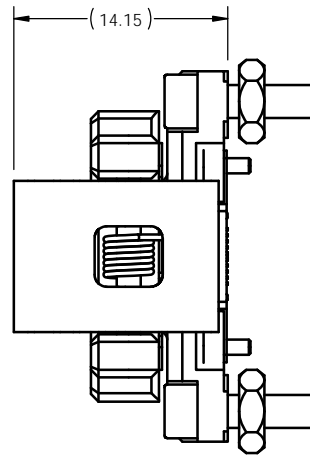
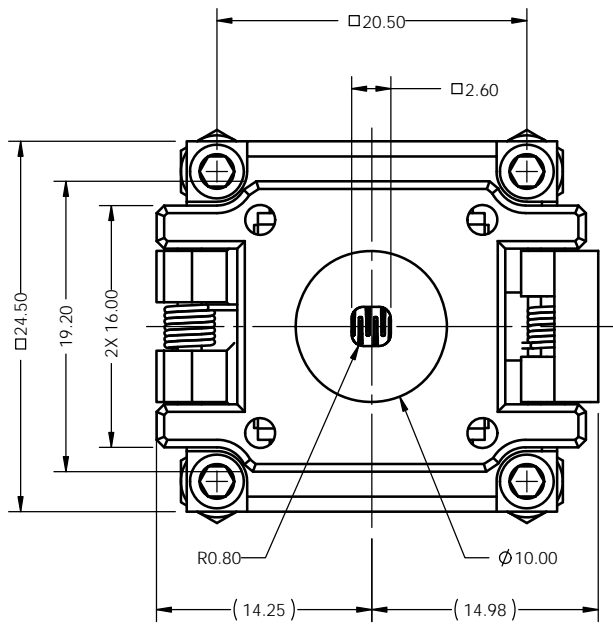
Notes:

- Latches to move freely and return to closed position when released.
- Tighten PCB mounting fasteners to 2-3 in-lbs. (0.22-0.33 Nm).
- Footprint part number is 100672-0021.
- Dimension locates center line of contact.
- Minimum force applied to device at test is 2560g.
- Socket is RoHS compliant.
- Contact tip position (tip is defined as the highest point of the contact).
- In a mounted condition.
- See Part Marking Standard 107340-0002 for engraving instructions.

Parts List			
Item	Qty	Part Number	Description
0	-	106458-0037	SOCKET, 40PQFN05-0.40, HINGED
1	1	106460-0037	CS, 40PQFN05-0.40
2	1	101082-0156	ASSY, L/FRAME, QFN05
3A	1	101133-0001	KIT, HDW, #2-56 X 5/16, 4
3B*	1	101133-0002	KIT, HDW, M2.0 X 8.0, 4

* Items not shown.

UNLESS OTHERWISE SPECIFIED: DIMENSIONS ARE IN MILLIMETERS DIM'S APPLY AFTER PLATING TOLERANCES UNLESS OTHERWISE NOTED: DECIMALS X.X ±0.25 X.XX ±0.10 X.XXX ±0.050		THE INFORMATION CONTAINED IN THIS DRAWING IS THE SOLE PROPERTY OF RAD INTERCONNECT SOLUTIONS. ANY REPRODUCTION IN PART OR WHOLE WITHOUT THE WRITTEN PERMISSION OF RAD INTERCONNECT SOLUTIONS IS PROHIBITED.	
DRAWING APPROVALS		7115 NORTHLAND TERRACE SUITE 400 BROOKLYN PARK, MN 55428 (763) 509-0066	
DESIGN K. Pitney	DATE 10/23/09	SCKT, 40PQFN05-0.40, HIN	
APPROVED M. Peery	DATE 10/23/09		
LEGEND: NOTE CALLOUT REVISION CHANGE ITEM NUMBER		THIRD ANGLE PROJECTION	SCALE SEE BOM
PARTS LIST		SCALE SEE BOM	SHEET 1 of 4



THE INFORMATION CONTAINED IN THIS DRAWING IS THE SOLE PROPERTY OF R&D INTERCONNECT SOLUTIONS. ANY REPRODUCTION IN PART OR WHOLE WITHOUT THE WRITTEN PERMISSION OF R&D INTERCONNECT SOLUTIONS IS PROHIBITED.

UNLESS OTHERWISE SPECIFIED
 - DIMENSIONS ARE IN MILLIMETERS
 - DIMS APPLY AFTER PLATING
 TOLERANCES UNLESS OTHERWISE NOTED:

ANGLES	DECIMALS
X.X	±0.25
X.XX	±0.10
X.XXX	±0.050

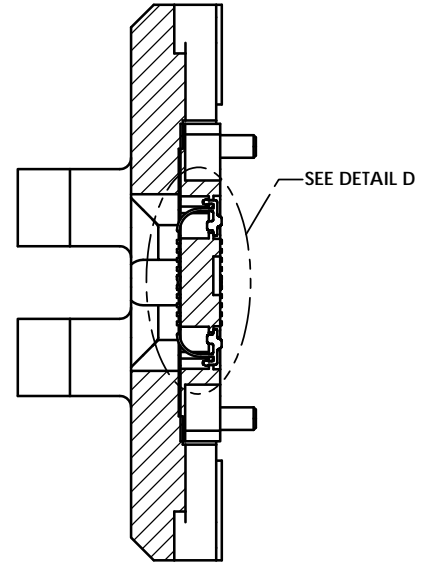
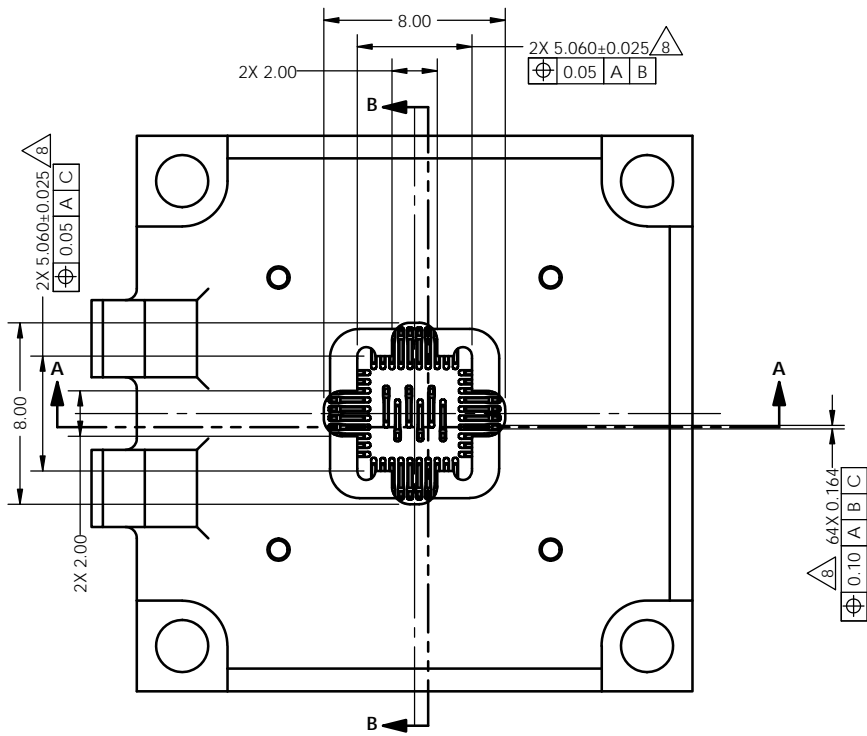
LEGEND:

- NOTE CALLOUT
- REVISION CHANGE
- ITEM NUMBER

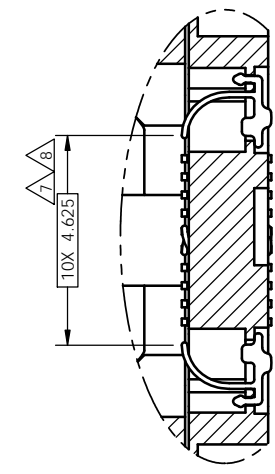
7115 NORTHLAND TERRACE, SUITE 400
 BROOKLYN PARK, MN 55428
 (763) 509-0066

SCKT, 40PQFN05-0.40, HIN

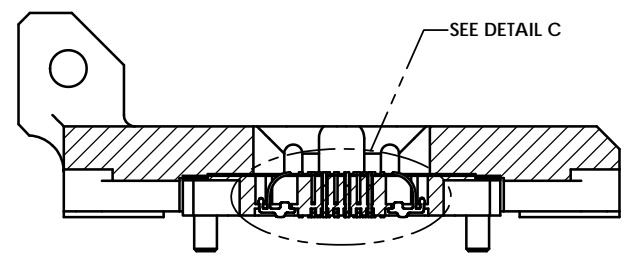
REV	CAD FORNIA	DRAWING NO.	106458-0037	REV	C
SCALE	SOLIDWORKS	MATERIAL	See Page 1	SHEET	2 of 4



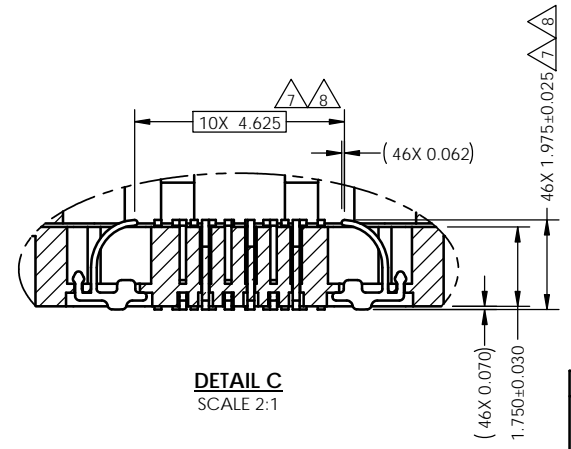
SECTION B-B



DETAIL D
SCALE 2:1



SECTION A-A



DETAIL C
SCALE 2:1

THE INFORMATION CONTAINED IN THIS DRAWING IS THE SOLE PROPERTY OF R&D INTERCONNECT SOLUTIONS. ANY REPRODUCTION IN PART OR WHOLE WITHOUT THE WRITTEN PERMISSION OF R&D INTERCONNECT SOLUTIONS IS PROHIBITED.

UNLESS OTHERWISE SPECIFIED
- DIMENSIONS ARE IN MILLIMETERS
- DIMS APPLY AFTER PLATING
TOLERANCES UNLESS OTHERWISE NOTED:

DECIMALS	ANGLES
X.X	±1°
X.XX ±0.25	
X.XXX ±0.10	
X.XXX ±0.050	

Interconnect Solutions 7115 NORTHLAND TERRACE, SUITE 400
BROOKLYN PARK, MN 55428
(763) 509-0066

SCKT, 40PQFN05-0.40, HIN

REV	DATE	DESCRIPTION	BY
C		106458-0037	C

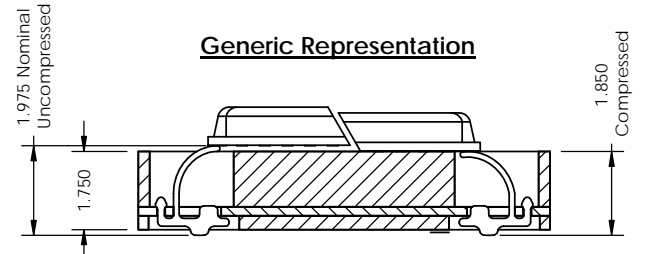
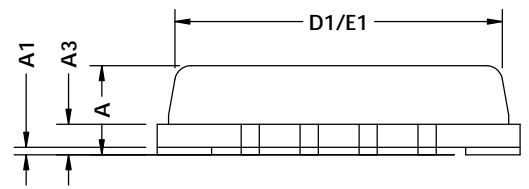
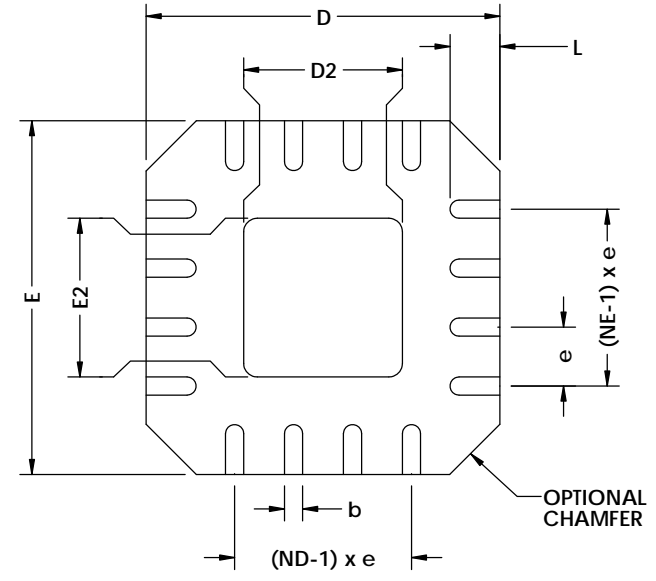
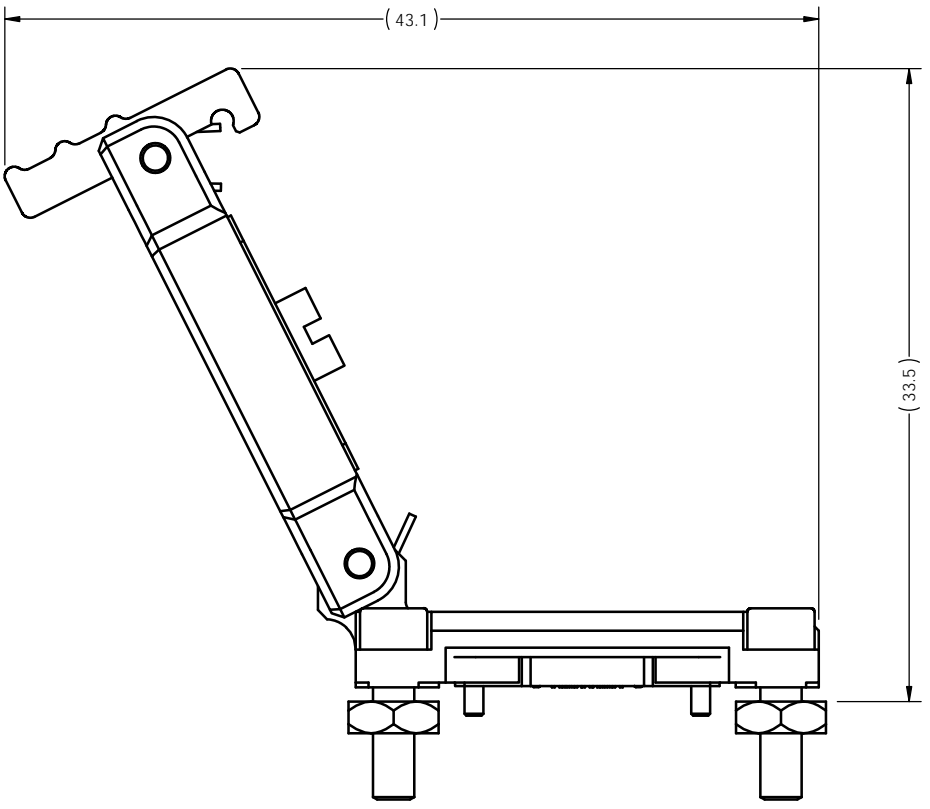
LEGEND:

- NOTE CALLOUT
- REVISION CHANGE
- ITEM NUMBER

SCALE: See Page 1

SHEET 3 of 4

SOCKET FOR DEVICES THAT ARE WITHIN THESE SPECIFICATIONS			
Lead Count	n	40	
Lead Count X/Y	ND/NE	10	10
Device Type		QFN (MLP, MLF)	
Package Size	D/E	5.0±0.05*	5.0±0.05*
Pitch	e	0.40	
Encapsulant Size	D1/E1	4.0 min	4.0 min
Ground Pad	D2/E2	3.0 min	3.0 min
Package Height	A	0.65-1.00	
Pad Height	A1	0.00-0.05	
Substrate Height	A3	0.20 min	
Pad Width	b	0.20 min	
Pad Length	L	0.30 min	
All Dimensions are in millimeters			
* Due to the potential samll size of the device pads, the device opening is 0.100±0.025 larger than D and E. At maximum material conditions maximum device size, minimum connector opening) there will be an interference fit. Contact Cascade Microtech for more details.			



THE INFORMATION CONTAINED IN THIS DRAWING IS THE SOLE PROPERTY OF R&D INTERCONNECT SOLUTIONS. ANY REPRODUCTION IN PART OR WHOLE WITHOUT THE WRITTEN PERMISSION OF R&D INTERCONNECT SOLUTIONS IS PROHIBITED.

UNLESS OTHERWISE SPECIFIED
- DIMENSIONS ARE IN MILLIMETERS
- DIMS APPLY AFTER PLATING

TOLERANCES UNLESS OTHERWISE NOTED: DECIMALS
ANGLES: X.X ±0.25
X.XX ±0.10
X.XXX ±0.050

LEGEND:
NOTE CALLOUT
REVISION CHANGE
ITEM NUMBER

Interconnect Solutions

7115 NORTHLAND TERRACE SUITE 400
BROOKLYN PARK, MN 55428
(763) 509-0066

SCKT, 40PQFN05-0.40, HIN

REV	CAD FORNAT	DRAWING NO	REV
C	SOLIDWORKS	106458-0037	C
SCALE	MATERIAL	See Page 1	SHEET 4 of 4