

REV	ECO	BY	DESCRIPTION	APV	DATE
A	31501	RS	Initial Design	NSJ	04/24/14

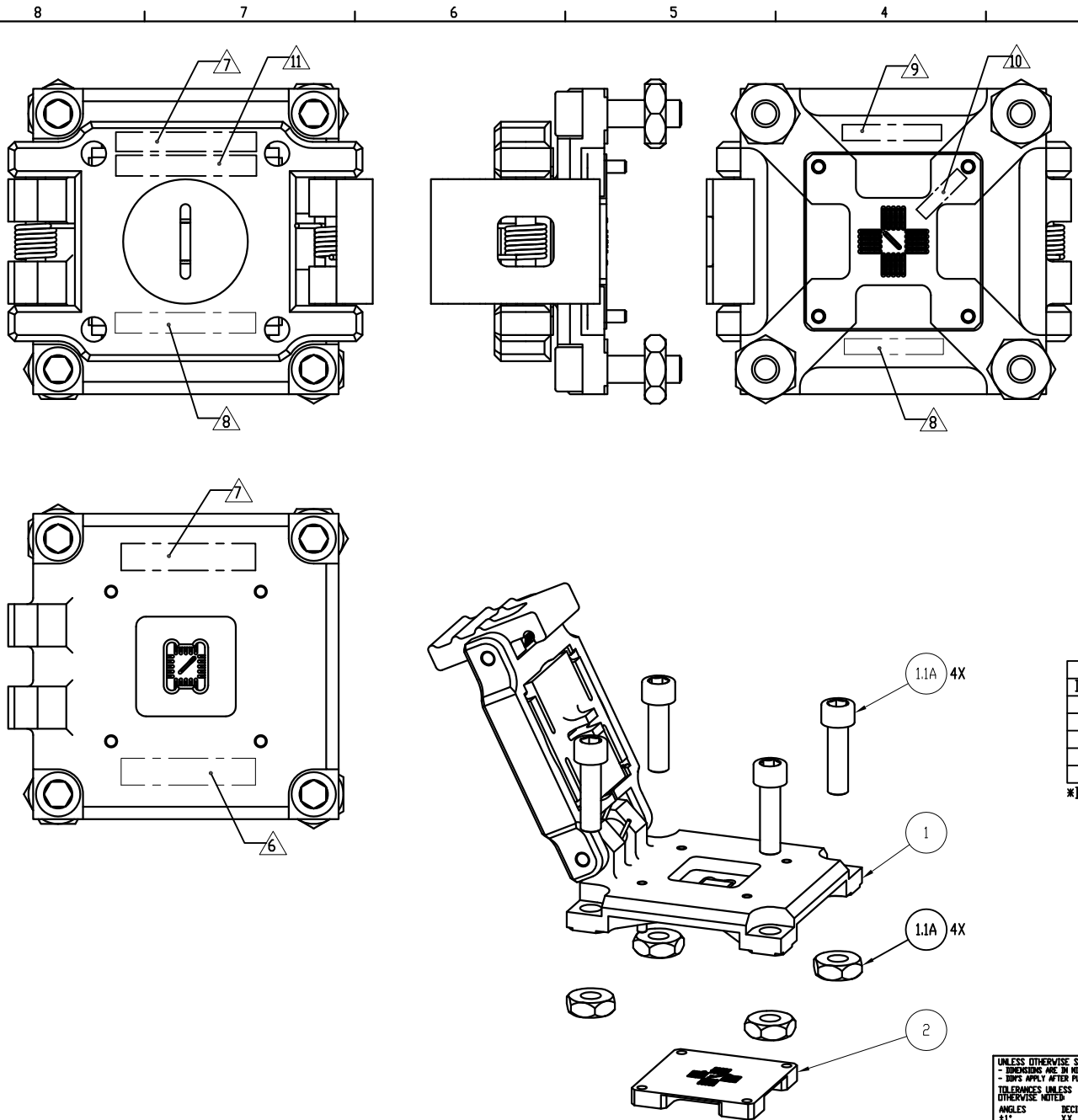
Notes:

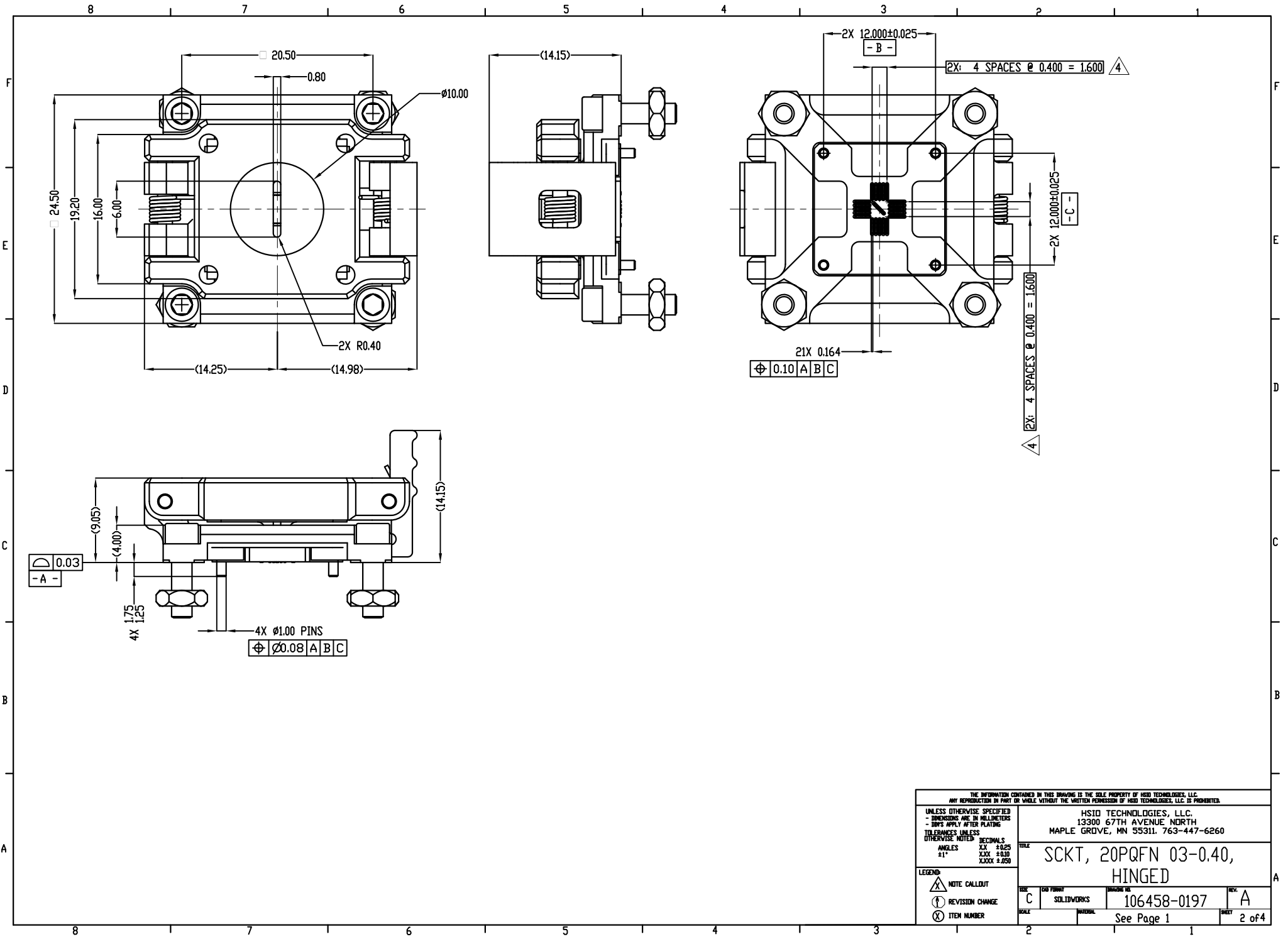
- Latches to move freely and return to closed position when released.
- Tighten PCB mounting fasteners to 2-3 in-lbs. (0.22-0.33 Nm).
- Footprint part number is 100672-0003.
- Dimension locates center line of contact.
- Minimum force applied to device at test is 840g.
- Socket part number and rev level.
- Company logo.
- \*MADE IN USA\* and date code.
- Frame part number and rev level.
- Contact set part number and rev level (if room allows).
- Customer part number.
- Socket is RoHS compliant.
- Contact tip position (tip is defined as the highest point of the contact).
- In a mounted condition.

Parts List			
Item No.	Qty.	Part Number	Description
0	-	106458-0197	SCKT, 20PQFN03-0.40, HINGED
1	1	101082-0191	ASSY, L/F, QFN03, 1.75
1.1A	1	101133-0001	KIT, HDW, #2-56 X 5/16, 4
1.1B*	1	101133-0002	KIT, HDW, M2.0 X 8.0, 4
2	1	106460-0034	CS, 20PQFN03-0.40

\*Items not shown.

<small>UNLESS OTHERWISE SPECIFIED - DIMENSIONS ARE IN MILLIMETERS - DIMS APPLY AFTER PLATING TOLERANCES UNLESS OTHERWISE NOTED: ANGLES ±1° DECIMALS XX ±0.25 XXX ±0.10 X.XXX ±0.050</small>		<small>THE INFORMATION CONTAINED IN THIS DRAWING IS THE SOLE PROPERTY OF HSIO TECHNOLOGIES, LLC. ANY REPRODUCTION IN PART OR WHOLE WITHOUT THE WRITTEN PERMISSION OF HSIO TECHNOLOGIES, LLC IS PROHIBITED.</small>	
<small>CAD GENERATED DRAWING DO NOT MANUALLY UPDATE</small>		HSIO TECHNOLOGIES, LLC. 13300 67TH AVENUE NORTH MAPLE GROVE, MN 55311. 763-447-6260	
<b>DRAWING APPROVALS</b>		<b>TITLE</b> SCKT, 20PQFN 03-0.40, HINGED	
<small>NAME</small> R. Sesharack	<small>DATE</small> 04/24/14	<small>SCALE</small> C	
<small>APPR</small> N. St Jacques	<small>DATE</small> 04/24/14	<small>SCALE</small> SEE BDM	
<small>LEGEND</small> △ NOTE CALLOUT ① REVISION CHANGE ⊗ ITEM NUMBER		<small>THIRD ANGLE PROJECTION</small> 	<small>SCALE</small> 2
		<small>SCALE</small> 1	<small>SCALE</small> 1 of 4

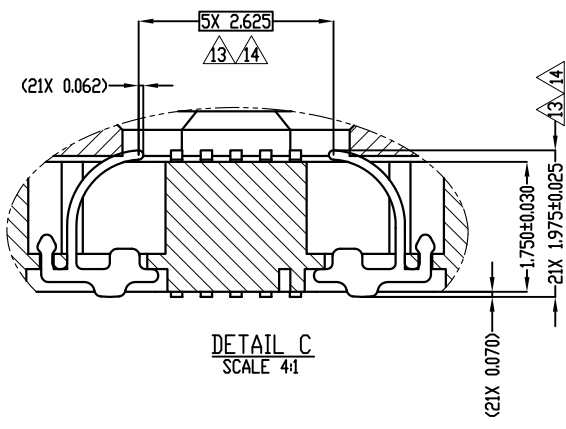
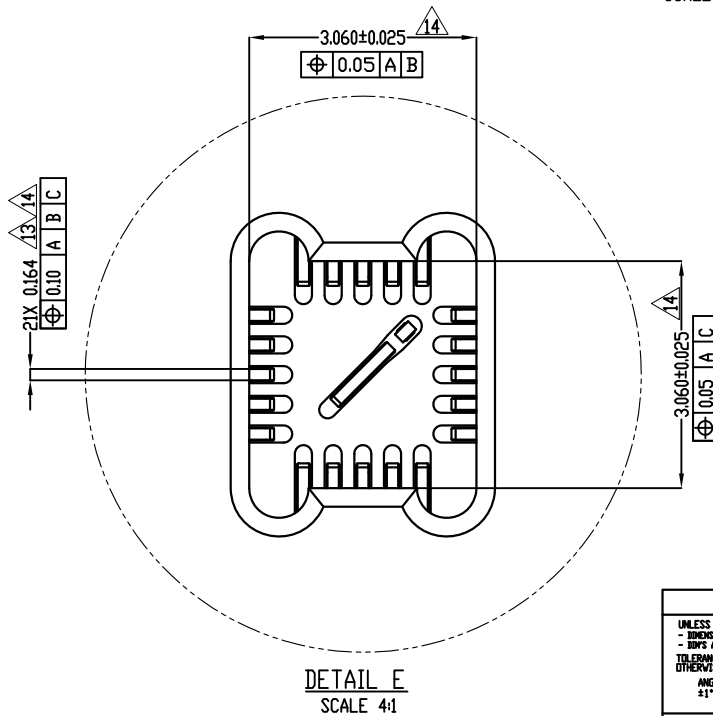
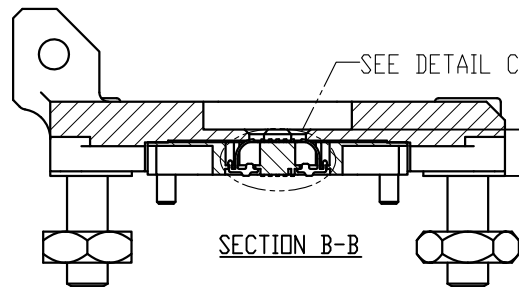
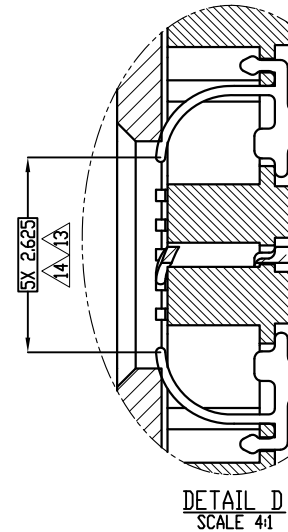
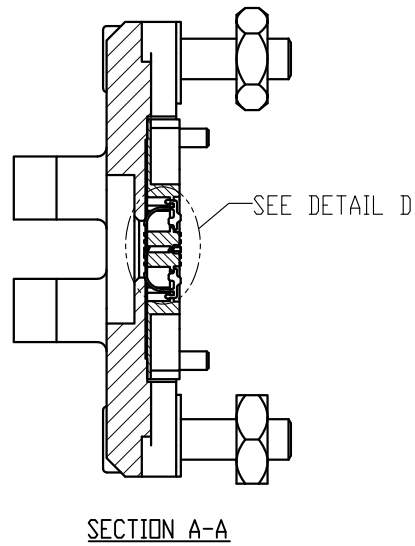
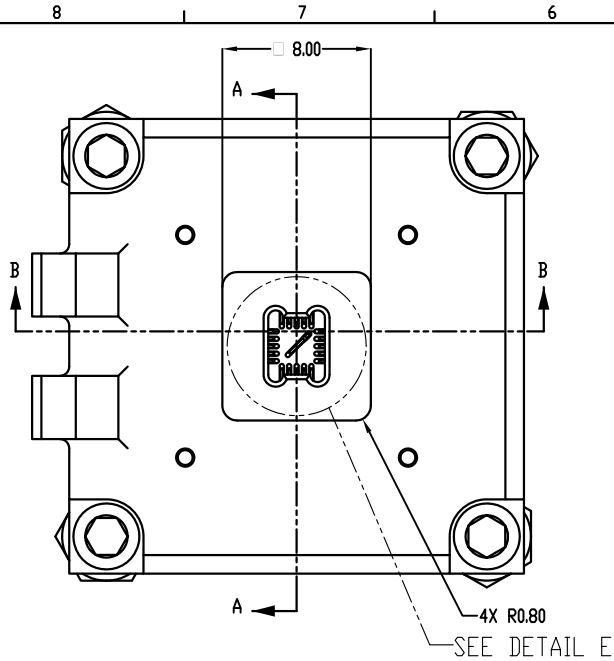




THE INFORMATION CONTAINED IN THIS DRAWING IS THE SOLE PROPERTY OF HSD TECHNOLOGIES, LLC. ANY REPRODUCTION IN PART OR WHOLE WITHOUT THE WRITTEN PERMISSION OF HSD TECHNOLOGIES, LLC IS PROHIBITED.

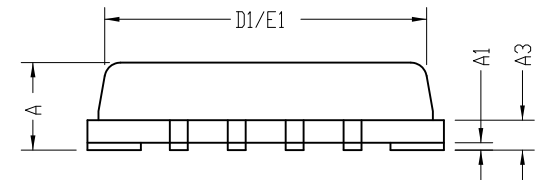
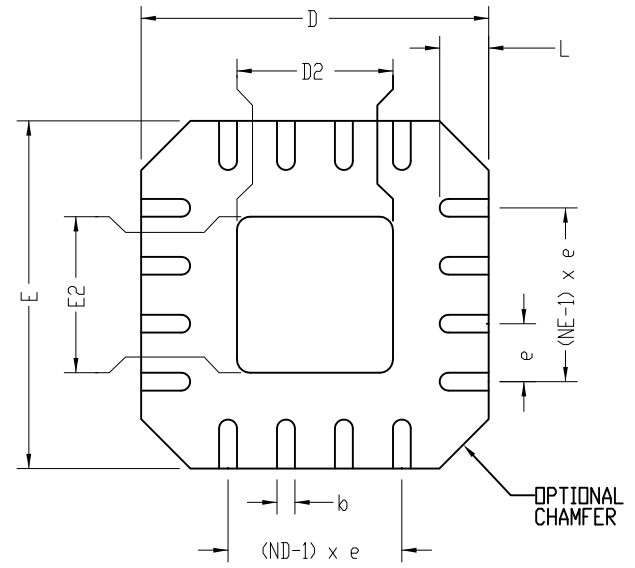
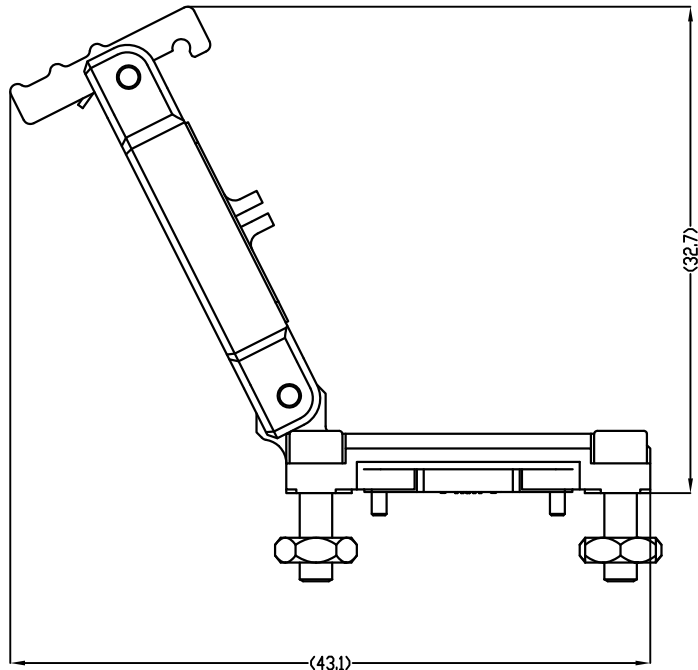
UNLESS OTHERWISE SPECIFIED - DIMENSIONS ARE IN MILLIMETERS - DIMS APPLY AFTER PLATING - TOLERANCES UNLESS OTHERWISE NOTED: DECIMALS ANGLES XX ± 0.25 XXX ± 0.10 XXXX ± 0.50		HSD TECHNOLOGIES, LLC. 13300 67TH AVENUE NORTH MAPLE GROVE, MN 55311. 763-447-6260	
LEGEND: NOTE CALLOUT REVISION CHANGE ITEM NUMBER		TITLE SCKT, 20PQFN 03-0.40, HINGED	
DESIGNER C	DWG NO. SOLIDWORKS	ISSUE NO. 106458-0197	REV. A
SCALE 1:1		SHEET 2 of 4	

See Page 1

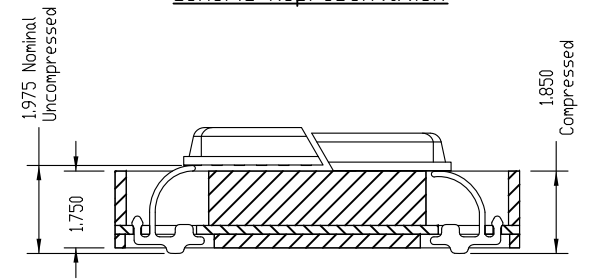


<small>THE INFORMATION CONTAINED IN THIS DRAWING IS THE SOLE PROPERTY OF HSD TECHNOLOGIES, LLC.          ANY REPRODUCTION IN PART OR WHOLE WITHOUT THE WRITTEN PERMISSION OF HSD TECHNOLOGIES, LLC IS PROHIBITED.</small>			
<small>UNLESS OTHERWISE SPECIFIED          - DIMENSIONS ARE IN MILLIMETERS          - DIMS APPLY AFTER PLATING          TOLERANCES UNLESS OTHERWISE NOTED:</small>		HSD TECHNOLOGIES, LLC. 13300 67TH AVENUE NORTH MAPLE GROVE, MN 55311 763-447-6260	
<small>DECIMALS          ANGLES XX ±0.25          1° ±0.10          XX ±0.50</small>		TITLE <b>SCKT, 20PQFN 03-0.40,          HINGED</b>	
LEGEND: (A) NOTE CALLOUT (1) REVISION CHANGE (X) ITEM NUMBER		DATE: C SCALE: INTERNAL DRAWING NO: 106458-0197 See Page 1	REV: A SHEET: 3 of 4

SOCKET FOR DEVICES THAT ARE WITHIN THESE SPECIFICATIONS			
Lead Count	n	20	
Lead Count X/Y	ND/NE	5	5
Device Type		QFN (MLP, MLF)	
Package Size	D/E	3.0±0.1*	3.0±0.1*
Pitch	e	0.40	
Encapsulant Size	D1/E1	N/A	N/A
Ground Pad	D2/E2	1.0 min	1.0 min
Package Height	A	0.70-1.05	
Pad Height	A1	0.00-0.05	
Substrate Height	A3	0.20 min	
Pad Width	b	0.20 min	
Pad Length	L	0.30 min	
All Dimensions are in millimeters			
* Due to the potential small size of the device pads, the device opening is 0.100±0.025 larger than D and E. At maximum material conditions (maximum device size, minimum connector opening) there will an interference fit. Contact HSIQ Technologies for more details.			



Generic Representation



Generic Representation

THE INFORMATION CONTAINED IN THIS DRAWING IS THE SOLE PROPERTY OF HSIQ TECHNOLOGIES, LLC. ANY REPRODUCTION IN PART OR WHOLE WITHOUT THE WRITTEN PERMISSION OF HSIQ TECHNOLOGIES, LLC IS PROHIBITED.

UNLESS OTHERWISE SPECIFIED - DIMENSIONS ARE IN MILLIMETERS - DIMS APPLY AFTER PLATING TOLERANCES UNLESS OTHERWISE NOTED: DECIMALS	HSIQ TECHNOLOGIES, LLC. 13300 67TH AVENUE NORTH MAPLE GROVE, MN 55311. 763-447-6260
ANGLES: XX ±0.25 XXX ±0.10 XXXX ±0.50	TITLE: SCKT, 20PQFN 03-0.40, HINGED
LEGEND: NOTE CALLOUT REVISION CHANGE ITEM NUMBER	REV: A SCALE: 1:1 DRAWING NO: 106458-0197 SHEET: 4 of 4

See Page 1