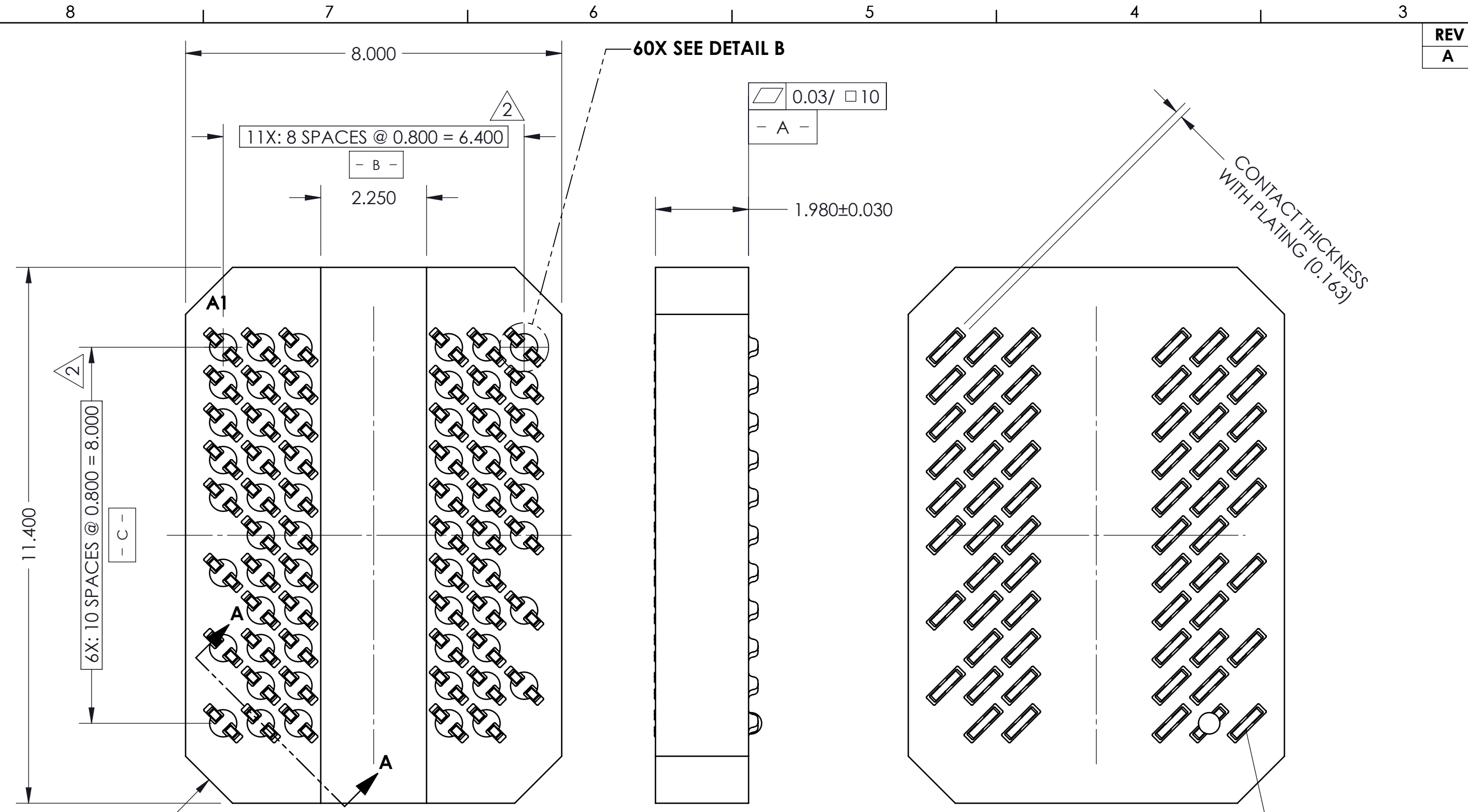
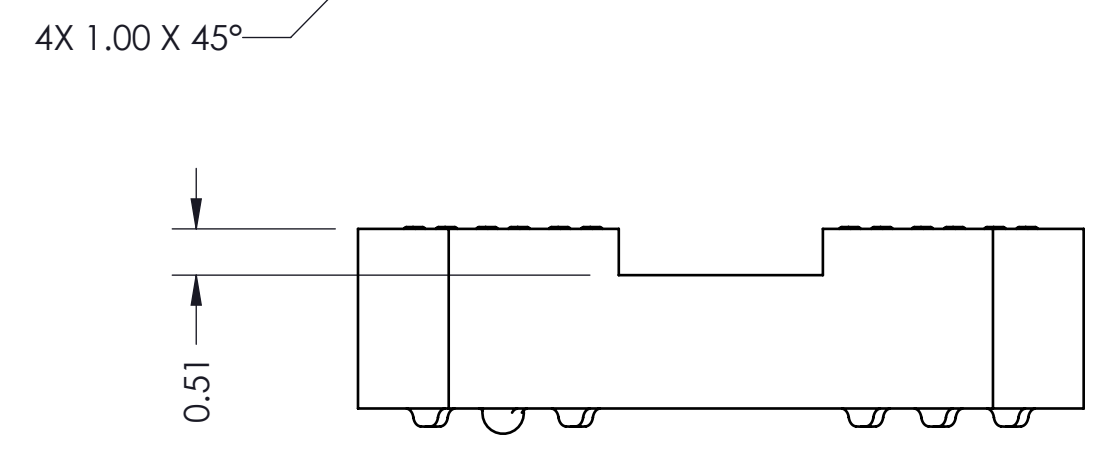


REV	ECO	BY	DESCRIPTION	APV	DATE
A	6367	DJP	INITIAL DESIGN	SRS	8/17/21

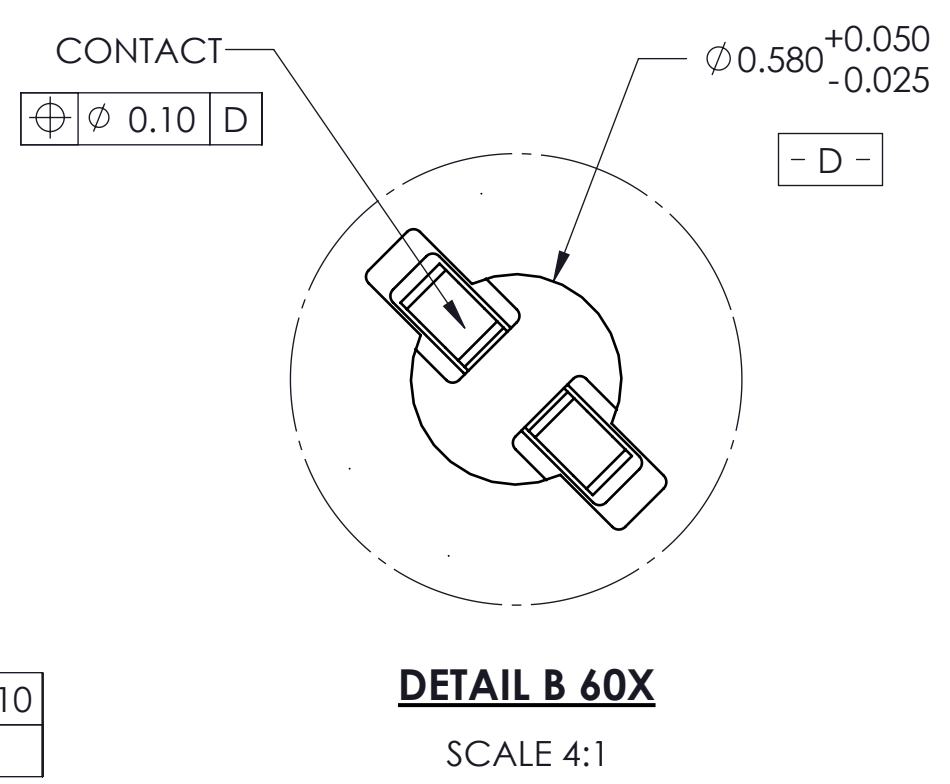
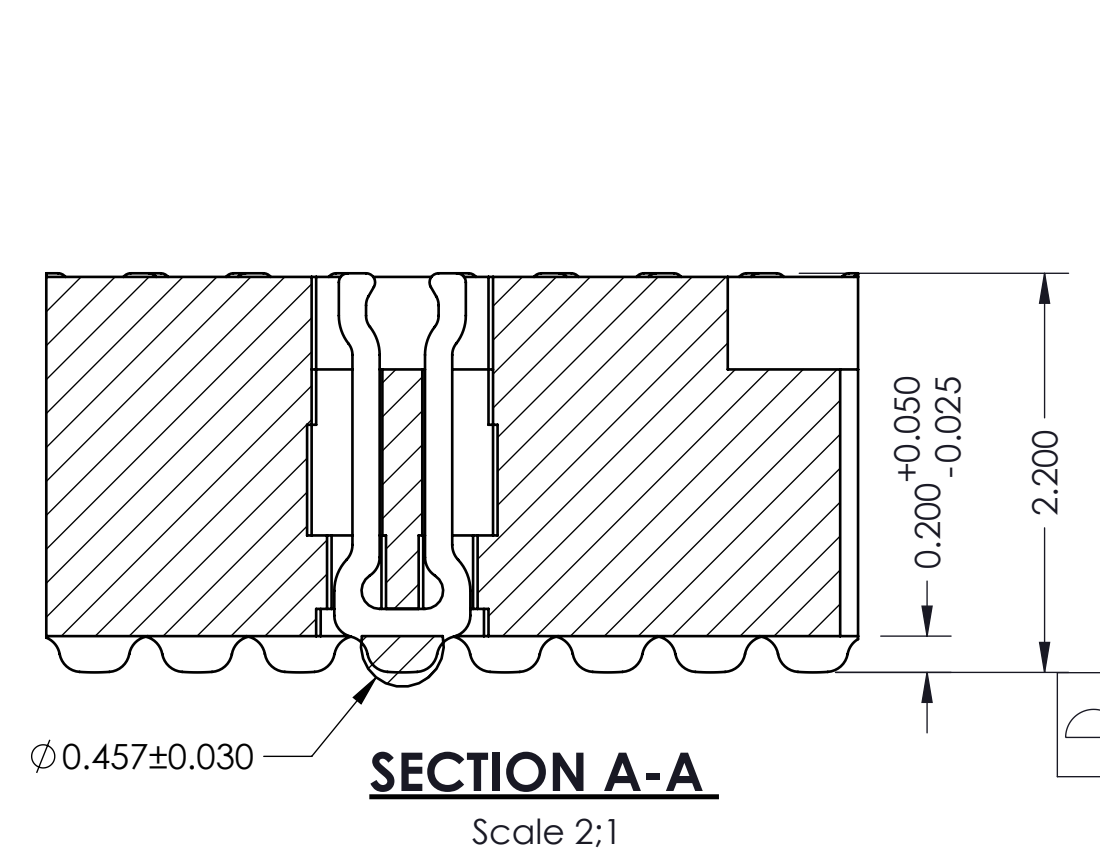


- Notes:
- Footprint part number is 104311-0212.
 - Locates center of contact slots.
 - Press size: 8.0 x 12.5
 - Datum B and C determined by $\phi 0.580$ opening in corner slots.



CONTACT	$\phi 0.10$	A	B	C
---------	-------------	---	---	---

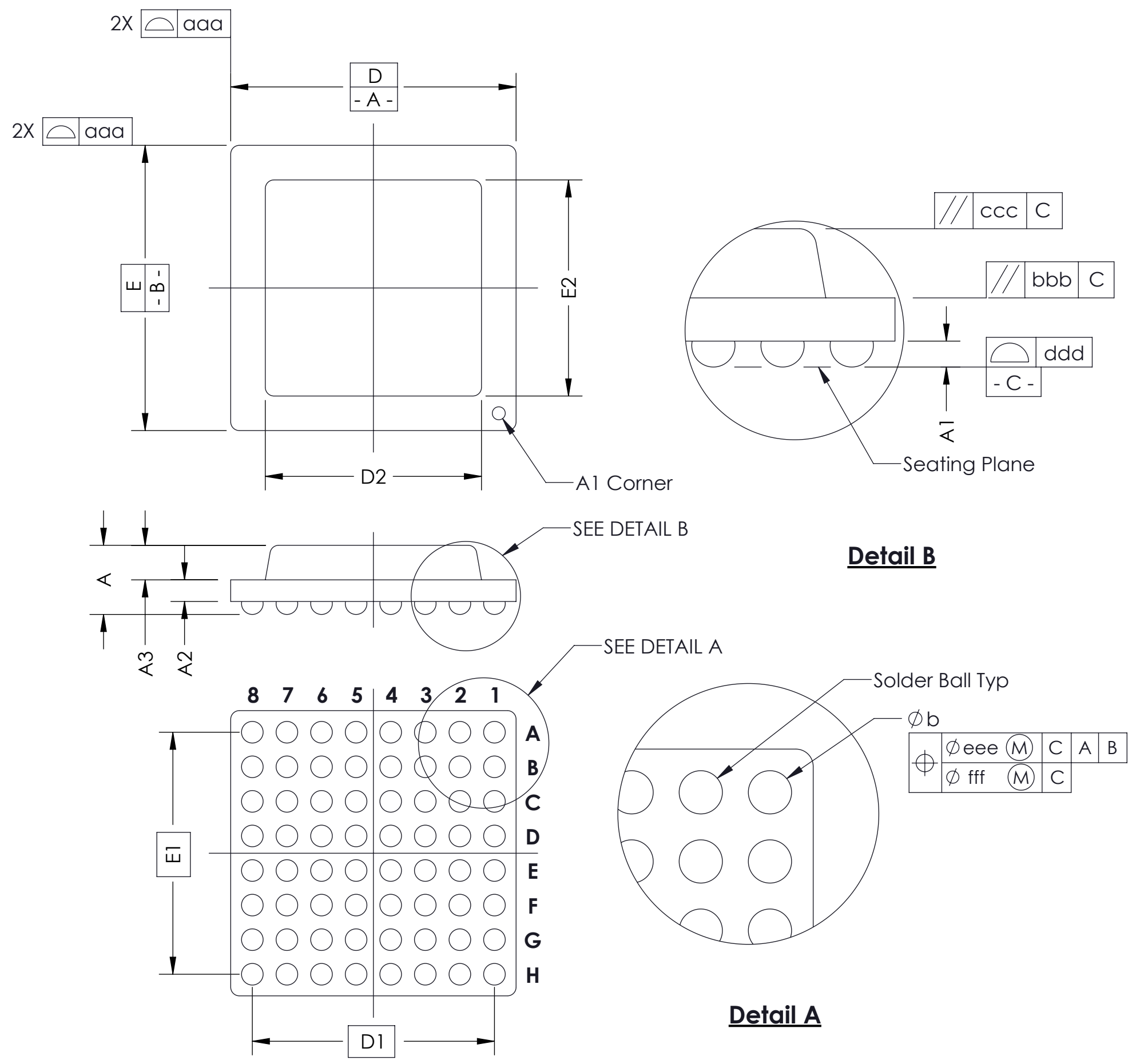
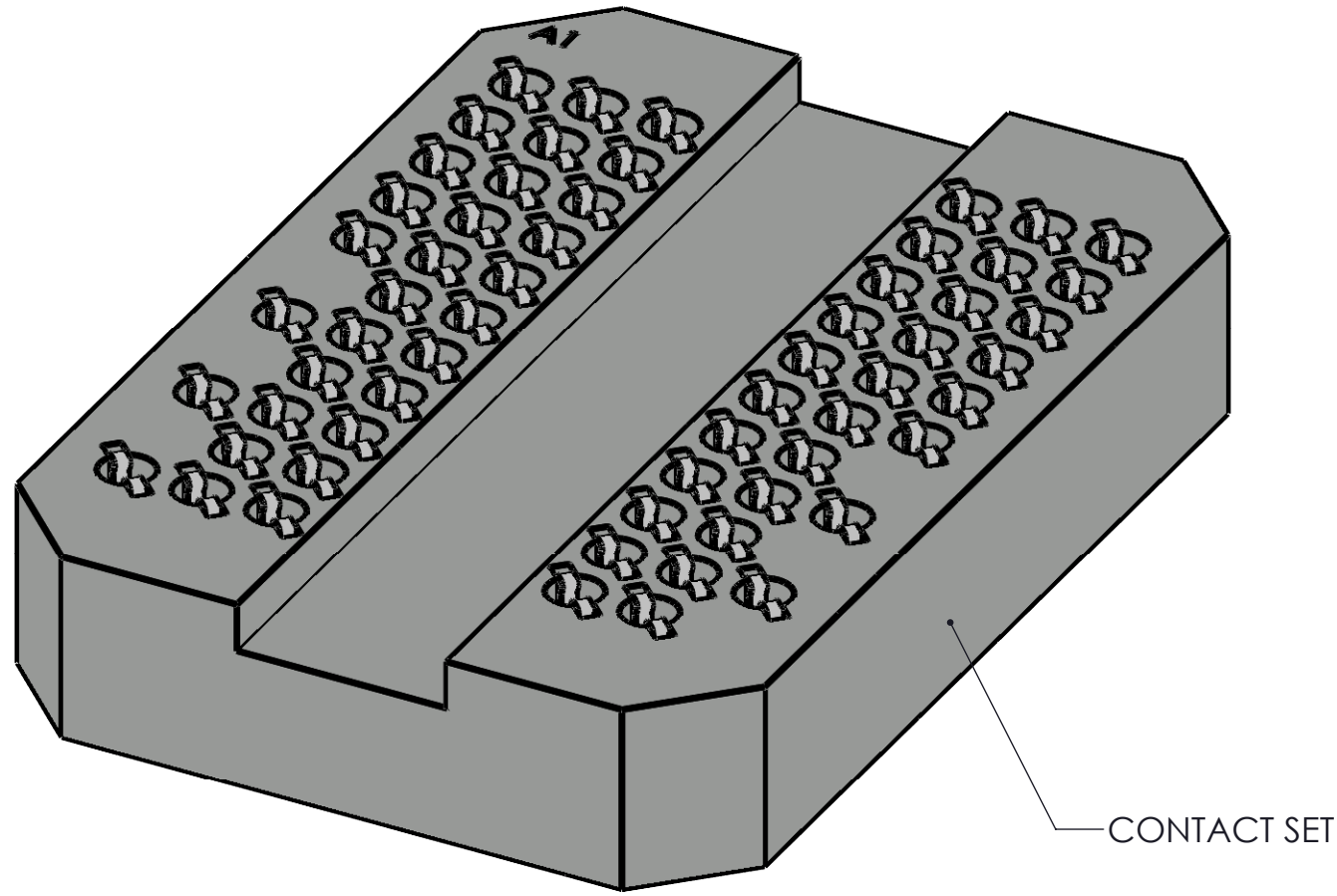
PARTS LIST	
Part Number	Description
105526-0068	SOCKET,60GRY8x11.4-0.80
105528-0068	CS, 60GRY8x11.4-0.80
103864-0108	PRESS, DEV INS, 8.0X11.4 (SOLD SEP.)
104553-0169	STEN,FLEX,60GRY8x11.4-0.80 (SOLD SEP.)



<small>UNLESS OTHERWISE SPECIFIED - DIMENSIONS ARE IN MILLIMETERS - DIM'S APPLY AFTER PLATING</small> <small>TOLERANCES UNLESS OTHERWISE NOTED:</small> ANGLES $\pm 1^\circ$ DECIMALS X.X ± 0.25 X.XX ± 0.10 X.XXX ± 0.050	<small>THE INFORMATION CONTAINED IN THIS DRAWING IS THE SOLE PROPERTY OF R&D INTERCONNECT SOLUTIONS. ANY REPRODUCTION IN PART OR WHOLE WITHOUT THE WRITTEN PERMISSION OF R&D INTERCONNECT SOLUTIONS IS PROHIBITED.</small> CAD GENERATED DRAWING DO NOT MANUALLY UPDATE		IRONWOOD ELECTRONICS, INC 1335 EAGANDALE CT EAGAN, MN 55121. (952) 229-8200					
	DRAWING APPROVALS <table border="1"> <tr> <th>NAME</th> <th>DATE</th> </tr> <tr> <td>DJP</td> <td>8/17/21</td> </tr> <tr> <td>SRS</td> <td>8/17/21</td> </tr> </table>			NAME	DATE	DJP	8/17/21	SRS
NAME	DATE							
DJP	8/17/21							
SRS	8/17/21							
LEGEND: (X) NOTE CALLOUT (A) REVISION CHANGE (X) ITEM NUMBER	DRAWN: DJP APPVD: SRS	THIRD ANGLE PROJECTION 	TITLE: SCKT, 60GRY8X11.4-0.80, DS, EUT SIZE: C CAD FORMAT: SOLIDWORKS DRAWING NO: 105526-0098 REV: A SCALE: SEE BOM SHEET: 1 of 2					

SOCKET FOR DEVICES THAT ARE WITHIN THESE SPECIFICATIONS					
Lead Count	N	60	Package Size	D	8.00
Columns	ND	6	Ball Spacing	E	11.40
Rows	NE	11	Encapsulant/Top Size	D1	6.40
Pitch	e	0.80	Encapsulant/Top Size	E1	8.00
Ball Size	b	0.45±0.05	Encapsulant/Top Size	D2	n/a
Total Thickness	A	N/A	Encapsulant/Top Size	E2	n/a
Ball Height	A1	0.275 Min	Pattern Style	Irregular*	
Substrate Thickness	A2	N/A	Perimeter Rows	n/a	
Top Thickness	A3	N/A	Center Array	n/a	
Form Tolerances					
Edge	aaa	0.20	Bottom	ddd	0.15
Substrate top	bbb	0.20	Position	eee	0.20
	ccc	0.20	Position	fff	0.08

All dimensions are in millimeters.
*See footprint specification for pattern details.



Generic Representation with Full Grid Array

THE INFORMATION CONTAINED IN THIS DRAWING IS THE SOLE PROPERTY OF IRONWOOD ELECTRONICS, INC. ANY REPRODUCTION IN PART OR WHOLE WITHOUT THE WRITTEN PERMISSION OF IRONWOOD ELECTRONICS, INC IS PROHIBITED.

UNLESS OTHERWISE SPECIFIED
- DIMENSIONS ARE IN MILLIMETERS
- DIMS APPLY AFTER PLATING
TOLERANCES UNLESS OTHERWISE NOTED: DECIMALS
ANGLES X.X ±0.25
 ±1° X.XX ±0.10
 X.XXX ±.050

LEGEND:
 (X) NOTE CALLOUT
 (A) REVISION CHANGE
 (X) ITEM NUMBER

IRONWOOD ELECTRONICS, INC
1335 EAGANDALE CT
EAGAN, MN 55121. (952) 229-8200

SCKT, 60GRY8X11.4-0.80, DS, EUT

SIZE	CAD FORMAT	DRAWING NO.	REV.
C	SOLIDWORKS	105526-0098	A
SCALE	MATERIAL	See Page 1	
		SHEET 2 of 2	